

# STRUCTURAL GLAZING BUILDING MAP

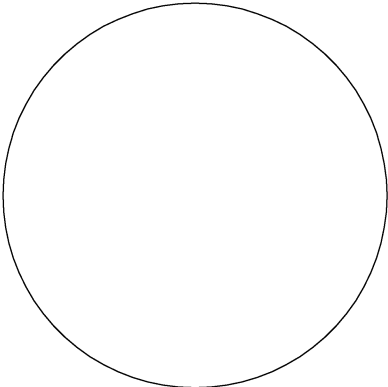
PROJECT NAME: SOMECITY BUILDING

ADDRESS: 1234 MAIN ST MIAMI, FL 33001

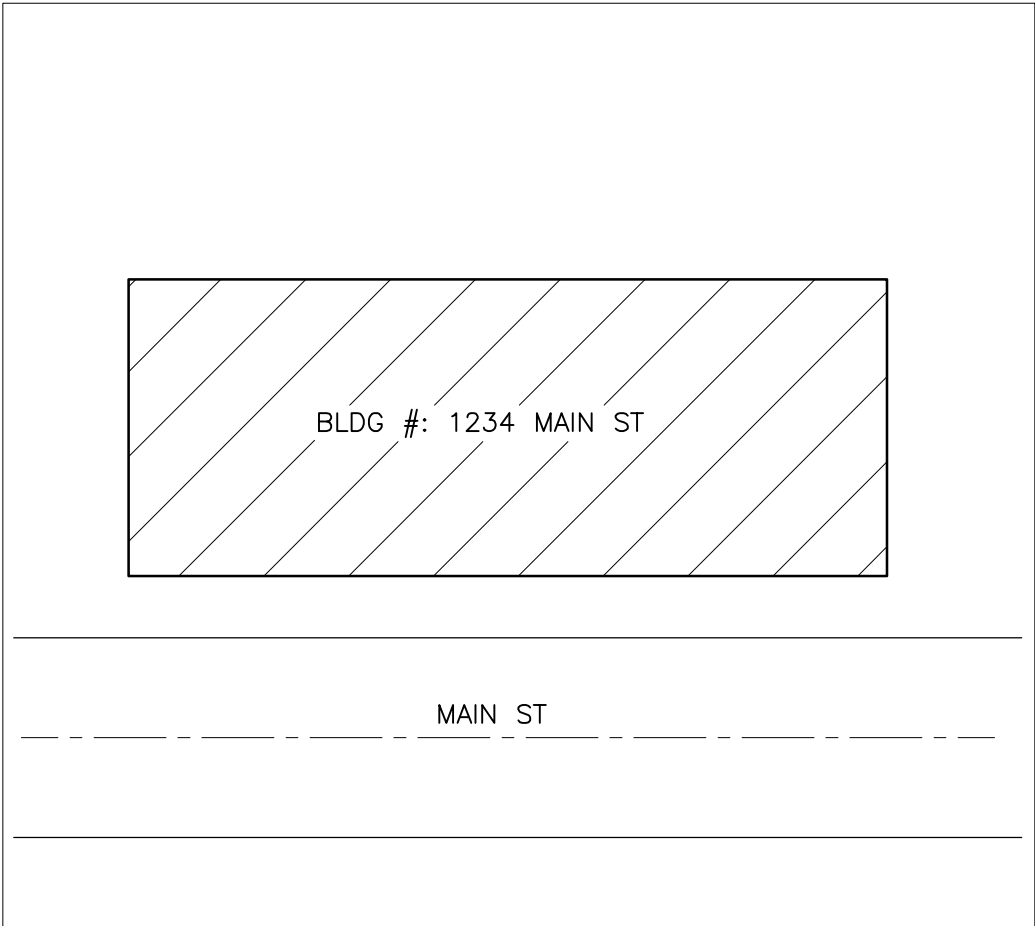
DESCRIPTION: STRUCTURAL SEALANT GLAZING SYSTEM IMPACT PANELS.  
28-STORY BUILDING

BY:

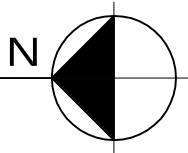
I. M. EARED, P.E.  
LICENSE #: XXXXX  
101 BASIC ST.  
MIAMI, FL 33100

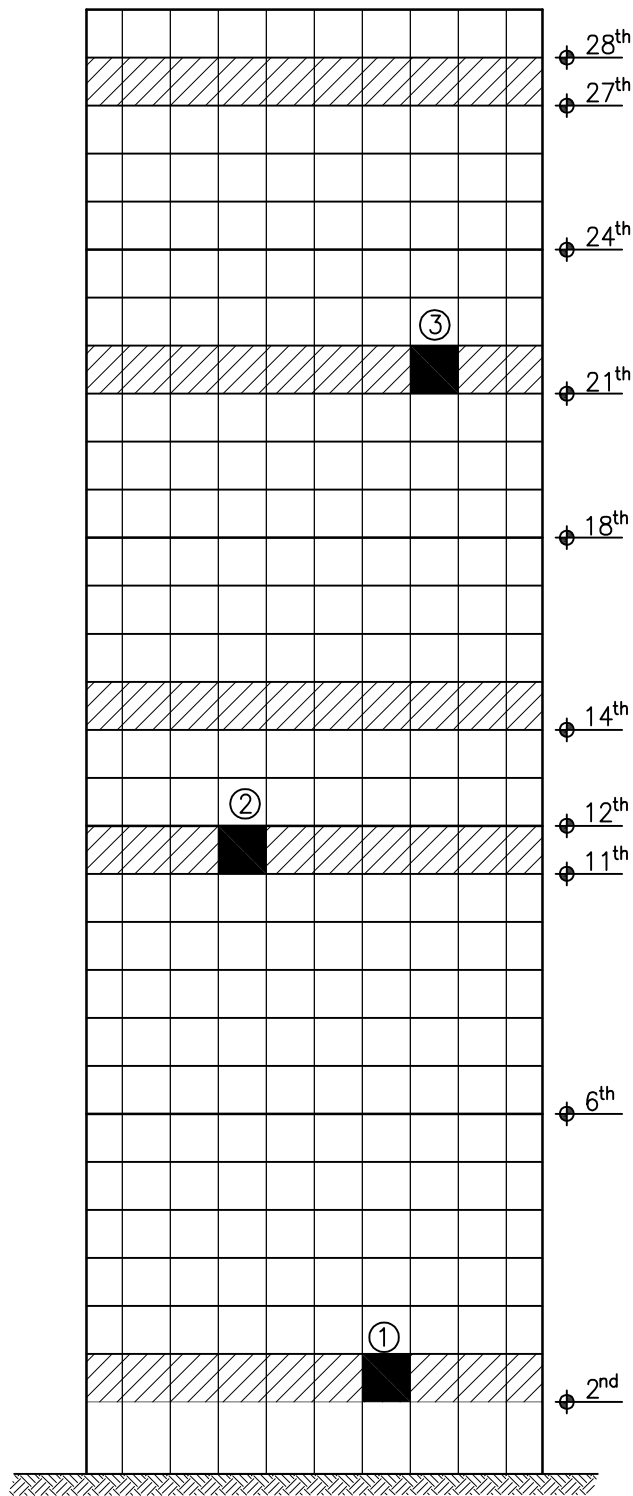


SIGNATURE,  
SEAL & DATE

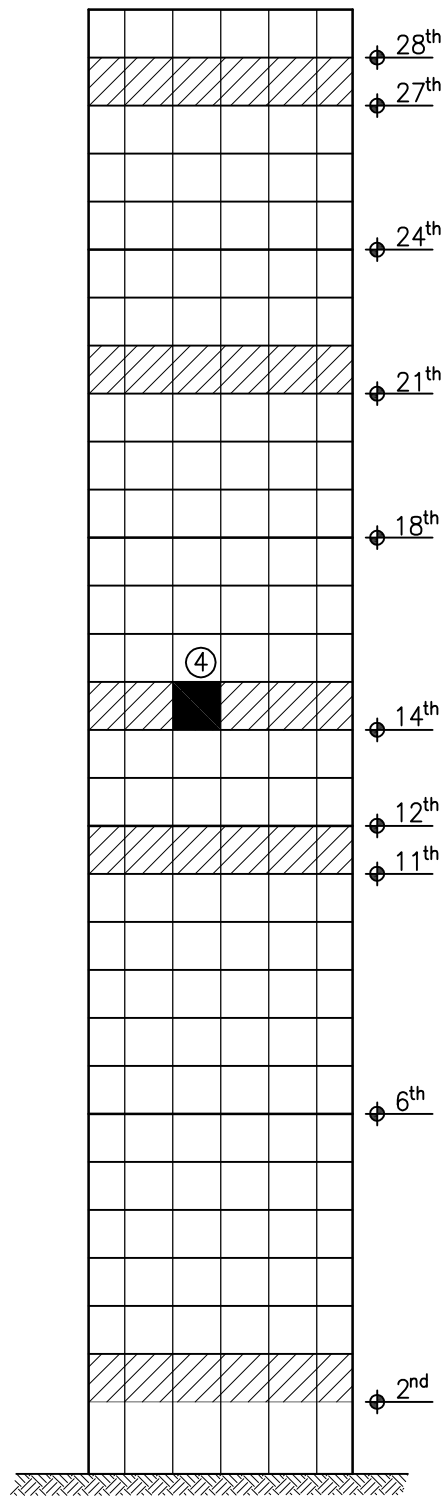


**KEY PLAN**  
N.T.S.





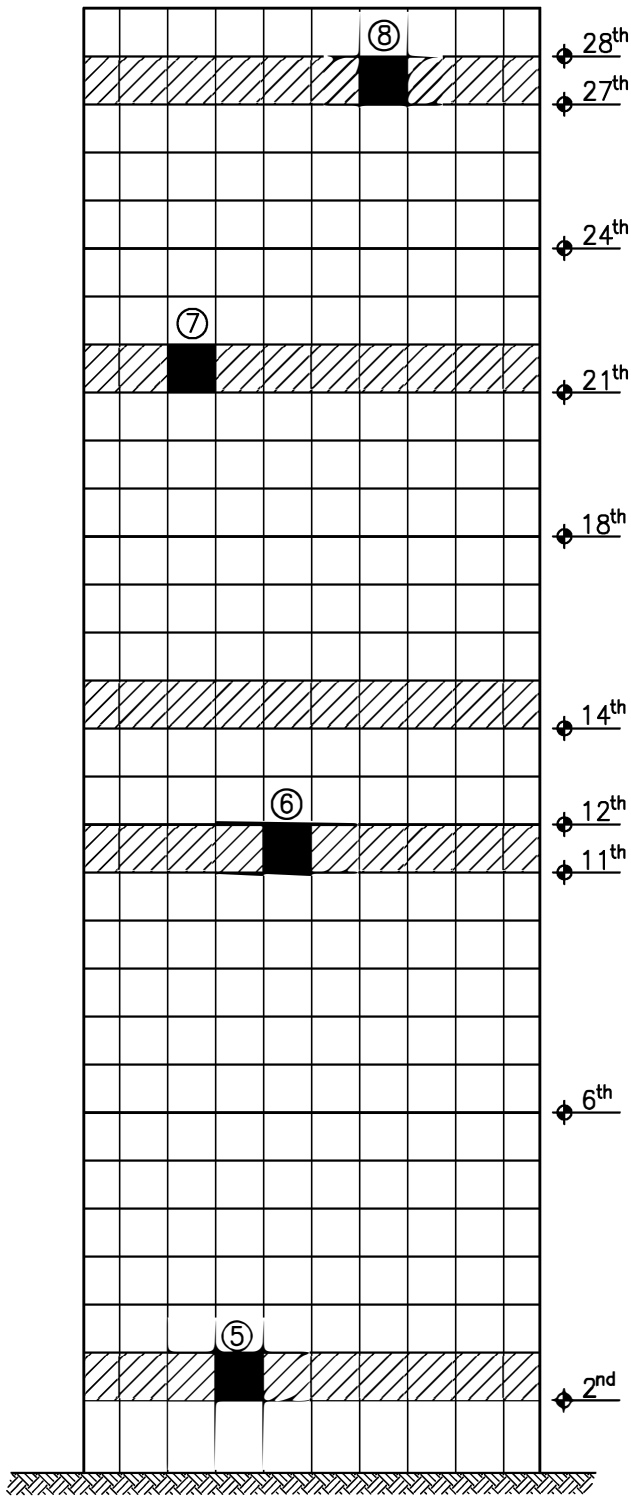
**WEST ELEVATION**  
N.T.S.



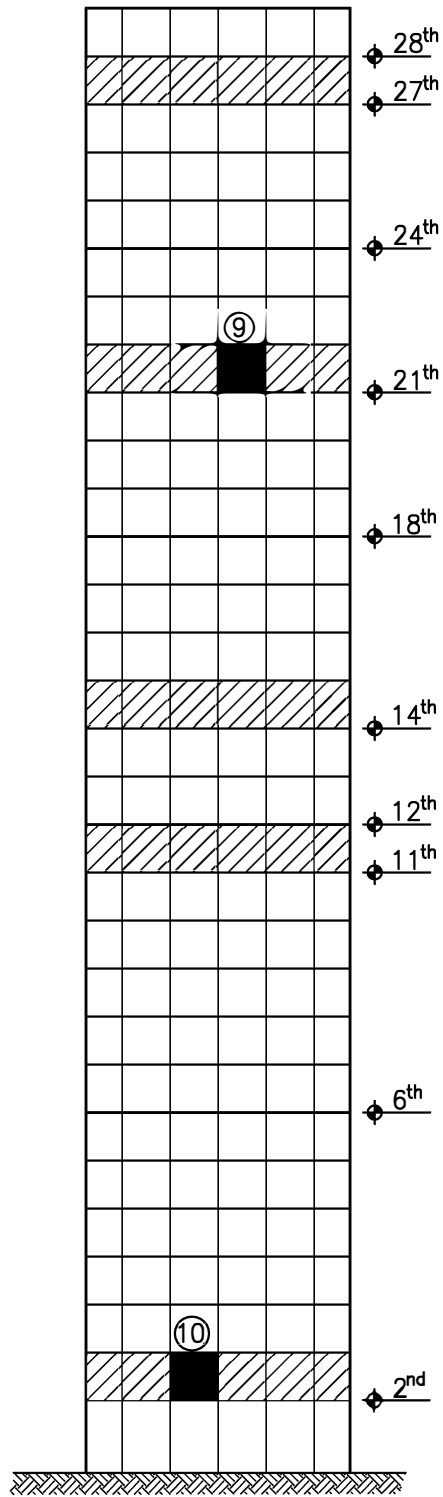
**NORTH ELEVATION**  
N.T.S.

CLOSE-UP EXAMINATION STORIES: 2, 11, 14, 21, 27

TEST PANELS: ① ② ③ ④



**EAST ELEVATION**  
N.T.S.



**SOUTH ELEVATION**  
N.T.S.

CLOSE-UP EXAMINATION STORIES: 2, 11, 14, 21, 27  
TEST PANELS: ⑤ ⑥ ⑦ ⑧ ⑨ ⑩