



BUILDING CODE COMPLIANCE OFFICE
METRO-DADE FLAGLER BUILDING
140 WEST FLAGLER STREET, SUITE 1603
MIAMI, FLORIDA 33130-1563
(305) 375-2901 FAX (305) 375-2908

CONTRACTOR LICENSING SECTION
(305) 375-2527 FAX (305) 375-2558

CONTRACTOR ENFORCEMENT DIVISION
(305) 375-2966 FAX (305) 375-2908

PRODUCT CONTROL DIVISION
(305) 375-2902 FAX (305) 372-6339

PRODUCT CONTROL NOTICE OF ACCEPTANCE

TRACO Security Windows & Doors, Inc.
5100 NW 72 Avenue
Miami, FL 33166

Your application for Notice of Acceptance (NOA) of:

Series C-1000 Aluminum Casement Window - Impact Resistant

under Chapter 8 of the Code of Miami-Dade County governing the use of Alternate Materials and Types of Construction, and completely described herein, has been recommended for acceptance by the Miami-Dade County Building Code Compliance Office (BCCO) under the conditions specified herein.

This NOA shall not be valid after the expiration date stated below. BCCO reserves the right to secure this product or material at any time from a jobsite or manufacturer's plant for quality control testing. If this product or material fails to perform in the approved manner, BCCO may revoke, modify, or suspend the use of such product or material immediately. BCCO reserves the right to revoke this approval, if it is determined by BCCO that this product or material fails to meet the requirements of the South Florida Building Code.

The expense of such testing will be incurred by the manufacturer.

ACCEPTANCE NO.: 01-0606.03
EXPIRES: 01/10/2006

Raul Rodriguez
Chief Product Control Division

**THIS IS THE COVERSHEET, SEE ADDITIONAL PAGES FOR SPECIFIC AND GENERAL
CONDITIONS
BUILDING CODE & PRODUCT REVIEW COMMITTEE**

This application for Product Approval has been reviewed by the BCCO and approved by the Building Code and Product Review Committee to be used in Miami-Dade County, Florida under the conditions set forth above.

Francisco J. Quintana, R.A.
Director
Miami-Dade County
Building Code Compliance Office

APPROVED: 01/10/2002

Traco Security Windows & Doors, Inc.

ACCEPTANCE No.: 01-0606.03

APPROVED : JAN 10 2001

EXPIRES : JAN 10 2006

NOTICE OF ACCEPTANCE: SPECIFIC CONDITIONS

1. SCOPE

- 1.1** This approves an aluminum casement window, as described in Section 2 of this Notice of Acceptance, designed to comply with the South Florida Building Code, 1994 Edition for Miami-Dade County, for the locations where the pressure requirements, as determined by SFBC Chapter 23, do not exceed the Design Pressure Rating values indicated in the approved drawings.

2. PRODUCT DESCRIPTION

- 2.1** The Series "C-1000" Outswing Aluminum Casement Window – Impact Resistant and its components shall be constructed in strict compliance with the following documents: Drawing No. W01-23, Sheets 1 through 4 of 4, titled "Series "1000" Outswing Aluminum Casement Window," prepared by Al Farooq Corporation, dated 4/30/01, with revision A dated 12/20/01, signed and sealed by Humayoun Farooq, P.E., bearing the Miami-Dade County Product Control Approval stamp with the Notice of Acceptance number and approval date by the Miami-Dade County Product Control Division. These documents shall hereinafter be referred to as the approved drawings.

3. LIMITATIONS

- 3.1** This approval applies to single unit applications of X and XX window configurations, as shown in approved drawings.
- 3.2** For Design Pressure Rating vs. Window Size and Configuration, see Comparative Analysis Tables in approved drawings.

4. INSTALLATION

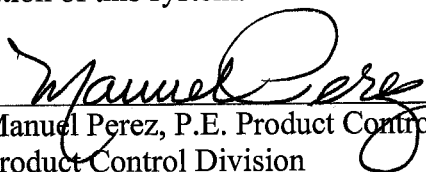
- 4.1** The aluminum casement window and its components shall be installed in strict compliance with the approved drawings.
- 4.2** Hurricane protection system (shutters): the installation of this unit will not require a hurricane protection system.

5. LABELING

- 5.1** Each window unit shall bear a permanent label with the manufacturer's name or logo, city, state and following statement: "Miami-Dade County Product Control Approved".

6. BUILDING PERMIT REQUIREMENTS

- 6.1** Application for building permit shall be accompanied by copies of the following:
- 6.1.1** This Notice of Acceptance.
- 6.1.2** Duplicate copies of the approved drawings, as identified in Section 2 of this Notice of Acceptance, clearly marked to show the components selected for the proposed installation.
- 6.1.3** Any other documents required by the Building Official or the South Florida Building Code (SFBC) in order to properly evaluate the installation of this system.


Manuel Perez, P.E. Product Control Examiner
Product Control Division

Traco Security Windows & Doors, Inc.

ACCEPTANCE No.: 01-0606.03

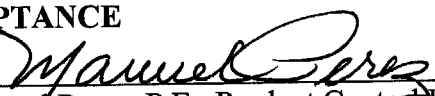
APPROVED : JAN 10 2001

EXPIRES : JAN 10 2006

NOTICE OF ACCEPTANCE: SPECIFIC CONDITIONS

1. Renewal of this Acceptance (approval) shall be considered after a renewal application has been filed and the original submitted documents, including test-supporting data, engineering documents, are no older than eight (8) years.
2. Any and all approved products shall be permanently labeled with the manufacturer's name, city, state, and the following statement: "Miami-Dade County Product Control Approval", or as specifically stated in the specific conditions of this Acceptance.
3. Renewals of Acceptance will not be considered if:
 - a. There has been a change in the South Florida Building Code affecting the evaluation of this product and the product is not in compliance with the code changes.
 - b. The product is no longer the same product (identical) as the one originally approved.
 - c. If the Acceptance holder has not complied with all the requirements of this acceptance, including the correct installation of the product.
 - d. The engineer who originally prepared, signed and sealed the required documentation initially submitted, is no longer practicing the engineering profession.
4. Any revision or change in the materials, use, and/or manufacture of the product or process shall automatically be cause for termination of this Acceptance, unless prior written approval has been requested (through the filing of a revision application with appropriate fee) and granted by this office.
5. Any of the following shall also be grounds for removal of this Acceptance:
 - a. Unsatisfactory performance of this product or process,
 - b. Misuse of this Acceptance as an endorsement of any product, for sales, advertising or any other purposes.
6. The Notice of Acceptance number preceded by the words Miami-Dade County, Florida, and followed by the expiration date may be displayed in advertising literature. If any portion of the Notice of Acceptance is displayed, then it shall be done in its entirety.
7. A copy of this Acceptance as well as approved drawings and other documents, where it applies, shall be provided to the user by the manufacturer or its distributors and shall be available for inspection at the job site at all time. The engineer need not reseal the copies.
8. Failure to comply with any section of this Acceptance shall be cause for termination and removal of Acceptance.
9. This Notice of Acceptance consists of pages 1, 2 and this last page 3.

END OF THIS ACCEPTANCE

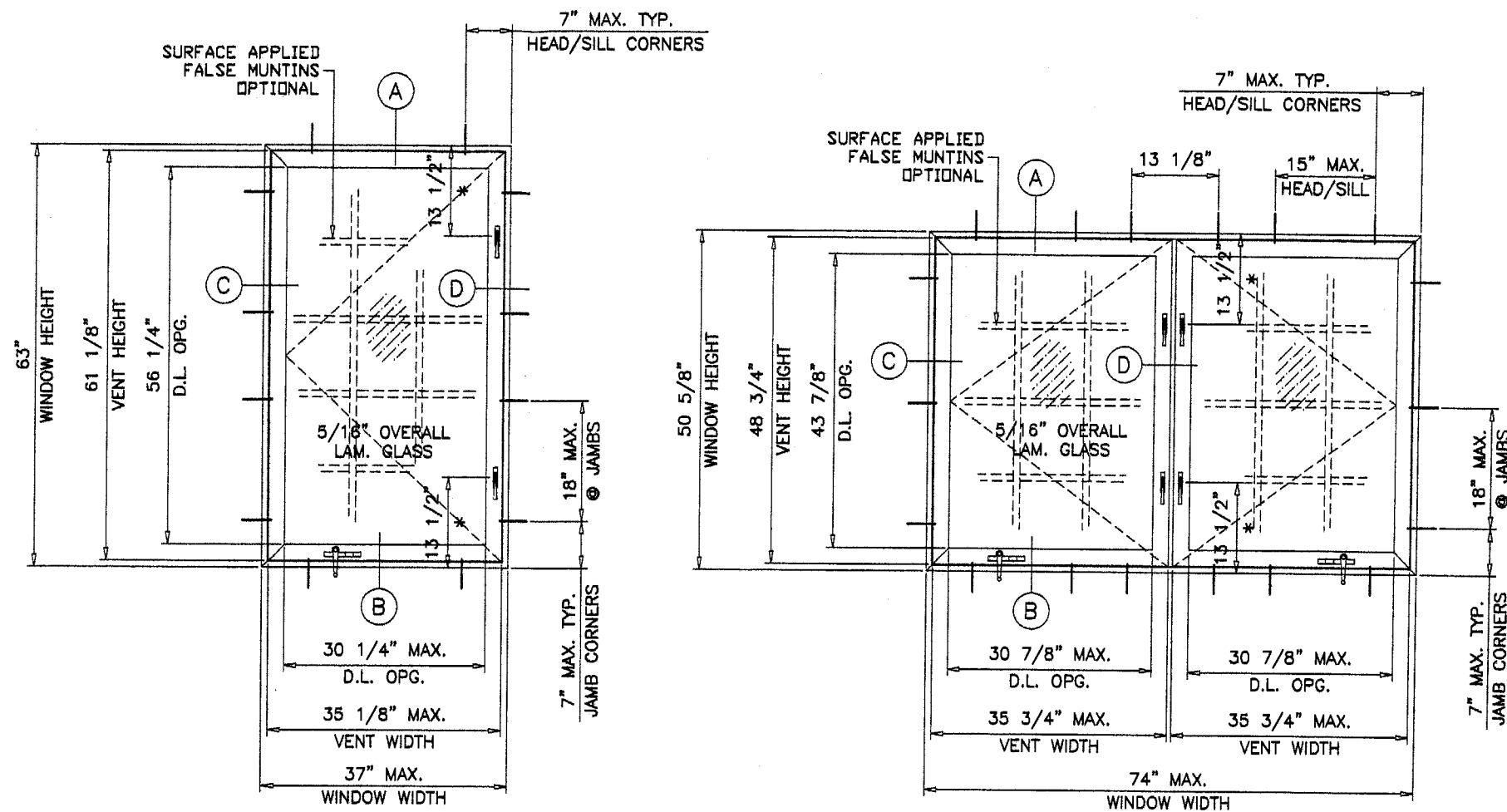

Manuel Perez, P.E., Product Control Examiner
Product Control Division

DESIGN LOAD CAPACITY - PSF FOR (X) SIZES						
WINDOW DIMS.		A	5/16" LAM. GLASS		7/16" LAM. GLASS	
WIDTH	HEIGHT		EXT. (+)	INT. (-)	EXT. (+)	INT. (-)
19-1/8"	26" * (2)	2	90.0	90.0	90.0	90.0
26-1/2"		2	90.0	90.0	90.0	90.0
37"		2	90.0	90.0	90.0	90.0
19-1/8"	38-3/8" (3)	2	90.0	90.0	90.0	90.0
26-1/2"		2	90.0	90.0	90.0	90.0
37"		2	90.0	90.0	90.0	90.0
19-1/8"	50-5/8" (4)	2	90.0	90.0	90.0	90.0
26-1/2"		2	90.0	90.0	90.0	90.0
37"		2	56.0	56.0	90.0	90.0
19-1/8"	63" (4)	2	80.0	80.0	80.0	80.0
26-1/2"		2	79.9	79.9	80.0	80.0
37"		2	44.3	44.3	80.0	80.0
19-1/8"	74-1/4" (5)	2	84.0	84.0	84.0	84.0
26-1/2"		2	62.2	62.2	62.2	62.2

A = NO. OF ANCHORS PER HEAD/SILL
 () = NO. OF ANCHORS PER JAMB
 * = 26" HIGH WINDOWS TO HAVE ONE LATCH ONLY

DESIGN LOAD CAPACITY - PSF FOR (XX) SIZES						
WINDOW DIMS.		A	5/16" LAM. GLASS		7/16" LAM. GLASS	
WIDTH	HEIGHT		EXT. (+)	INT. (-)	EXT. (+)	INT. (-)
26-1/2"	26" * (2)	4	90.0	90.0	90.0	90.0
37"		4	90.0	90.0	90.0	90.0
53-1/8"		4	90.0	90.0	90.0	90.0
74"		6	90.0	90.0	90.0	90.0
26-1/2"	38-3/8" (3)	4	90.0	90.0	90.0	90.0
37"		4	90.0	90.0	90.0	90.0
53-1/8"		4	90.0	90.0	90.0	90.0
74"		6	90.0	90.0	90.0	90.0
26-1/2"	50-5/8" (4)	4	90.0	90.0	90.0	90.0
37"		4	90.0	90.0	90.0	90.0
53-1/8"		6	90.0	90.0	90.0	90.0
74"		6	56.0	56.0	90.0	79.3
26-1/2"	63" (4)	4	90.0	90.0	90.0	90.0
37"		4	76.9	76.9	76.9	76.9
53-1/8"		6	55.6	55.6	55.6	55.6
26-1/2"	74-1/4" (5)	4	64.2	64.2	64.2	64.2
37"		4	46.5	46.5	46.5	46.5

A = NO. OF ANCHORS PER HEAD/SILL
 () = NO. OF ANCHORS PER JAMB
 * = 26" HIGH WINDOWS TO HAVE ONE LATCH ONLY



TYPICAL ELEVATIONS
TESTED UNITS

NOTES:

- THIS STRUCTURE IS DESIGNED AS PER THE SOUTH FLORIDA BUILDING CODE 1994 EDITION FOR DADE COUNTY. ALSO FOR WIND LOADS AS PER ASCE 7 USING CORRESPONDING LOADS.
- WOOD BUCKS BY OTHERS, MUST BE ANCHORED PROPERLY TO TRANSFER LOADS TO THE STRUCTURE.
- ANCHORS SHALL BE AS LISTED, SPACED AS SHOWN ON DETAILS. ANCHOR EMBEDMENT TO BASE MATERIAL SHALL BE BEYOND WALL DRESSING OR STUCCO.

Engr: DR. HUMAYOUN FAROOQ
STRUCTURES
FLA. PE # 16557

[Signature]

DEC 21 2001

APPROVED AS COMPLYING WITH THE
SOUTH FLORIDA BUILDING CODE
DATE **JAN 10 2001**
BY *[Signature]*
PRODUCT CONTROL DIVISION
BUILDING CODE COMPLIANCE OFFICE
ACCEPTANCE NO. *[Signature]*

afc

AL-FAROOQ CORPORATION
ENGINEERS, PLANNERS & PRODUCT DESIGN
1235 SW 87 AVE
MIAMI, FLORIDA 33174
TEL. (305) 264-8100 FAX. (305) 262-6978
COMP-ANL W01-23TSW

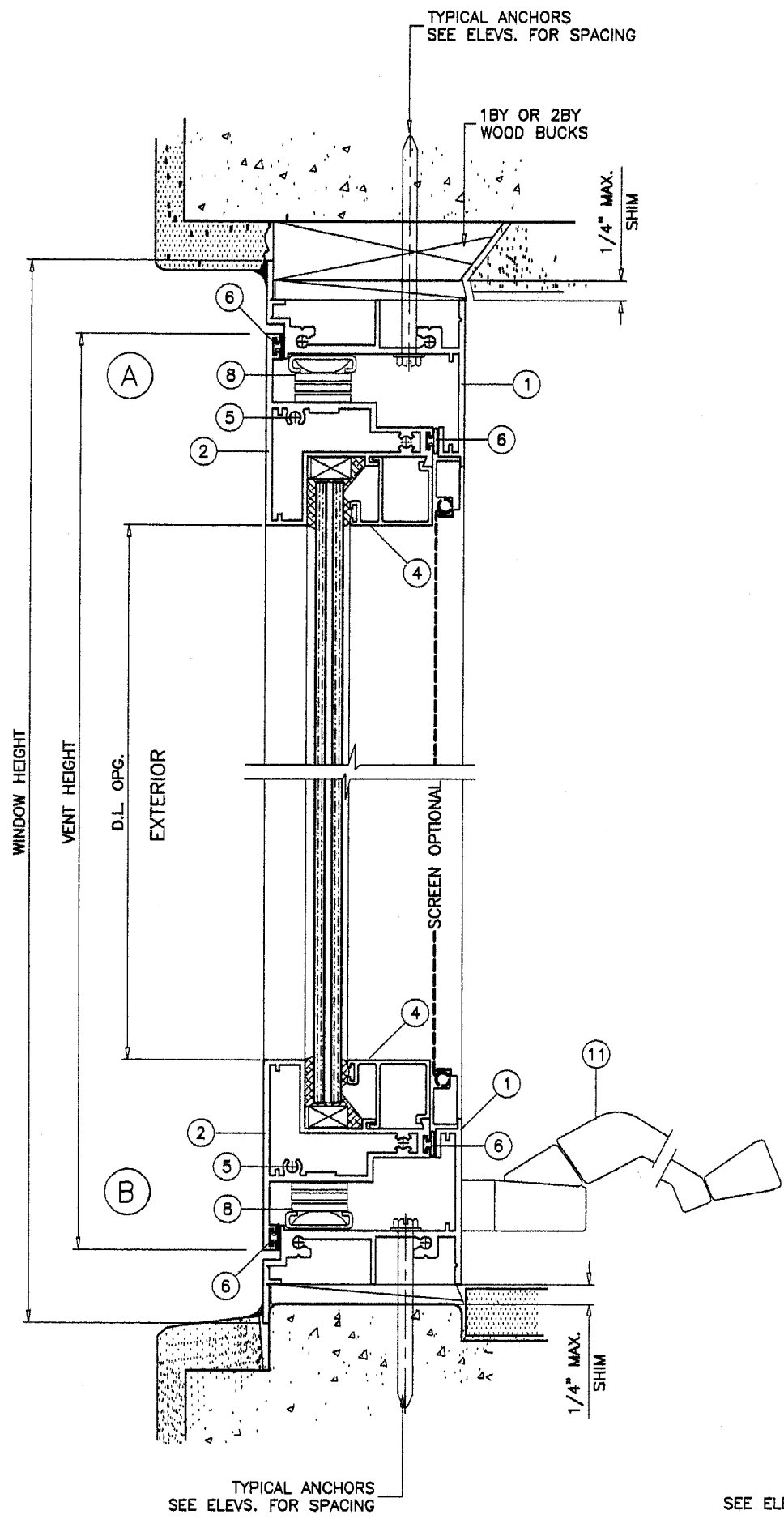
SERIES-1000 ALUMINUM CASEMENT WINDOW
TRACO SECURITY WINDOWS & DOORS INC.
5100 N.W. 72 AVE.
MIAMI, FL. 33166
TEL. (305) 591-8990

no.	date	description
A	12.20.01	REV. PER BCCO COMMENTS

date: 04-30-01
scale: 1/2" = 1"
dr. by: HAMID
chk. by:

drawing no.
W01-23

sheet 1 of 4



WOOD BUCKS NOT BY TRACO SECURITY, MUST SUSTAIN LOADS IMPOSED BY GLAZING SYSTEM AND TRANSFER THEM TO THE BUILDING STRUCTURE.

TYPICAL ANCHORS: SEE ELEV. FOR SPACING

1/4" TAPCONS

INTO WOOD BUCKS OR WOOD STRUCTURE
 1-1/2" MIN. PENETRATION INTO WOOD
 THRU WOOD BUCKS INTO MASONRY OR DIRECTLY INTO MASONRY
 1-1/4" MIN. EMBED INTO CONC. OR MASONRY

#14 SMS OR 1/4" SELF DRILLING SCREWS

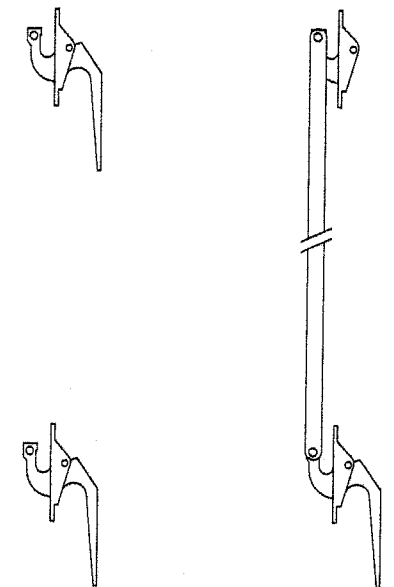
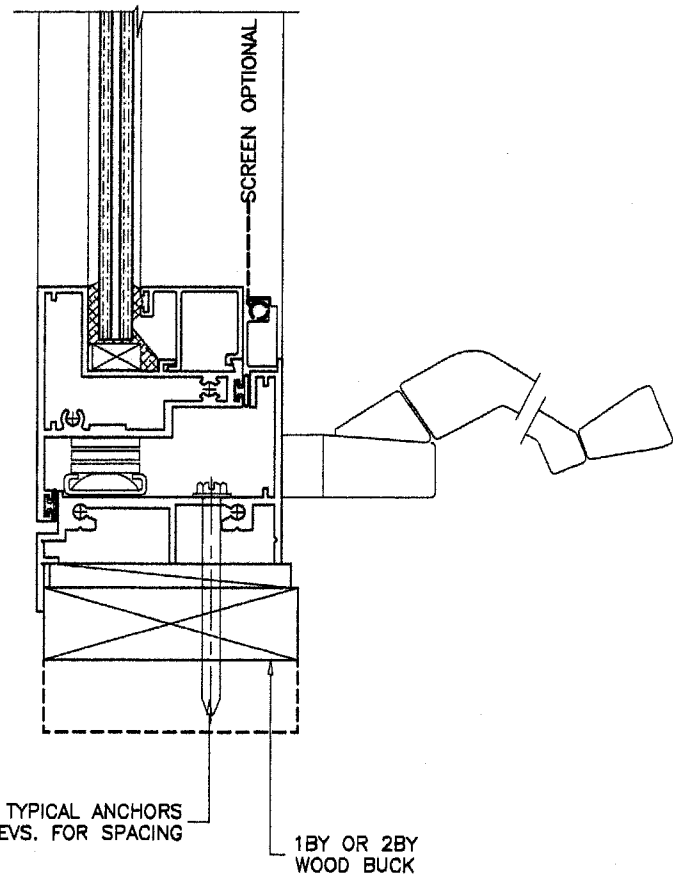
INTO STEEL OR ALUMINUM MULLIONS
 (NO SHIM SPACE)

1/4" SELF DRILLING SCREWS

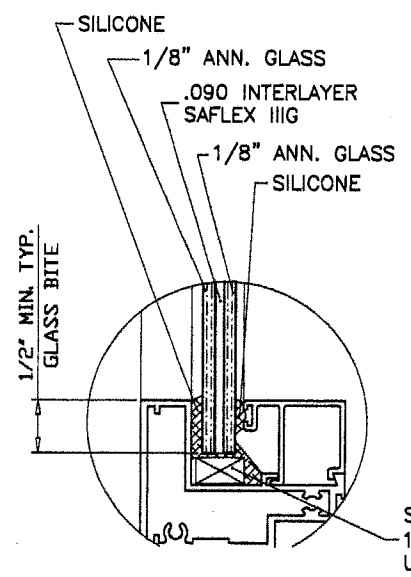
INTO METAL STRUCTURES (1/8" MIN. THICKNESS)
 (1/4" MAX. SHIM SPACE)

SEALANTS:

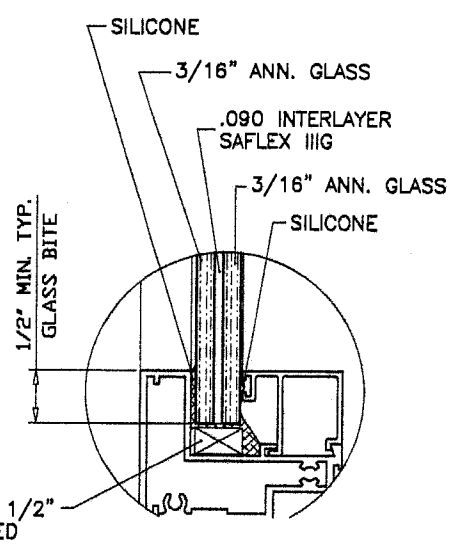
FRAME CORNERS EXTERIOR SEAMS SEALED WITH SILICONE
 VENT AND FRAME CORNERS SEALED WITH SEALANT.



INDIVIDUAL LOCKS CONNECTED LOCKS
LOCKING OPTIONS



5/16" THICK NOMINAL
 IMPACT RESISTANT GLASS
 LAMINATED BY E.I. DUPONT
 SHUTTERS NOT REQUIRED



7/16" THICK NOMINAL
 IMPACT RESISTANT GLASS
 LAMINATED BY E.I. DUPONT
 SHUTTERS NOT REQUIRED

Engr: DR. HUMAYOUN FAROOQ
 STRUCTURES
 FLA. PE # 16557
 DATE: **DEC 21 2001**

APPROVED AS COMPLYING WITH THE
 SOUTH FLORIDA BUILDING CODE
 DATE: **JAN 10 2001**
 BY: *Manuel Perez*
 PRODUCT CONTROL DIVISION
 BUILDING CODE COMPLIANCE OFFICE
 ACCEPTANCE NO: **01-0606-03**

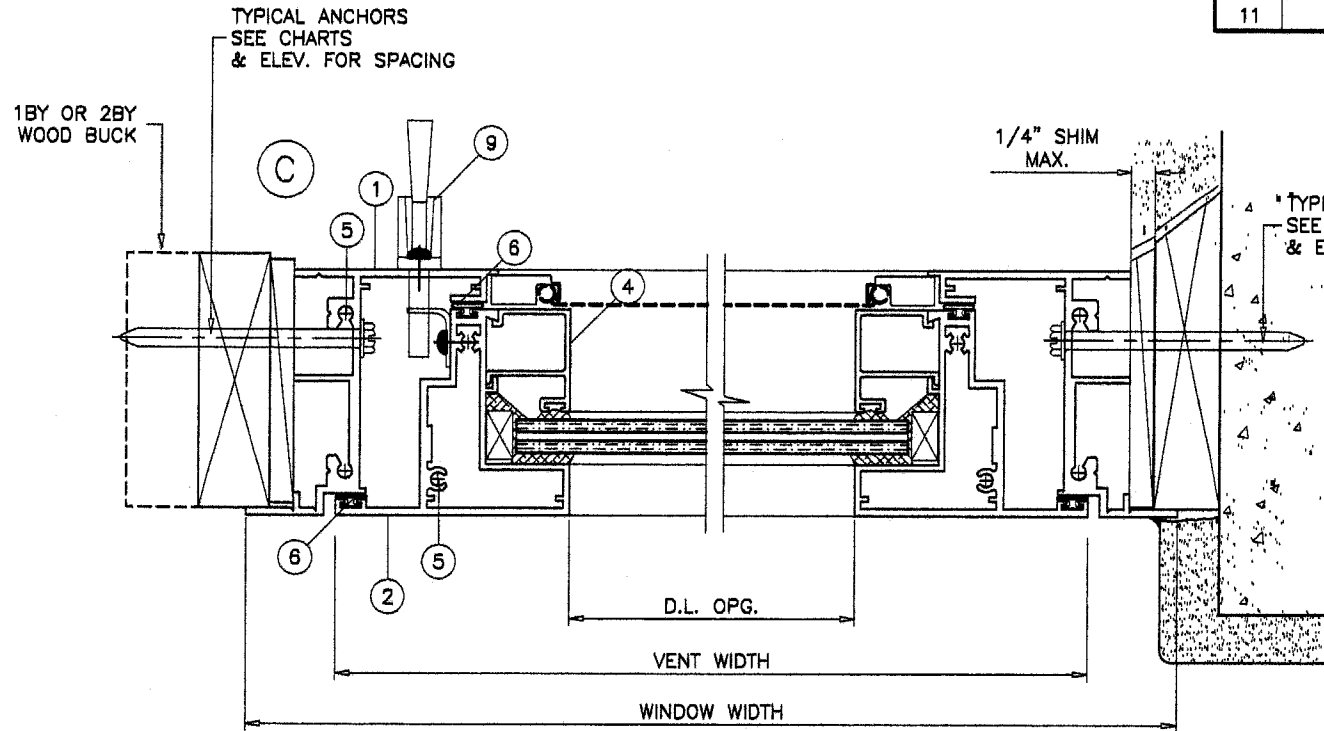
AL-FAROOQ CORPORATION
 ENGINEERS, PLANNERS & PRODUCT DESIGN
 1235 SW 87 AVE
 MIAMI, FLORIDA 33174
 TEL. (305) 264-8100 FAX. (305) 262-6978
 COMP-ANI\W01-23TSW

SERIES-1000 ALUMINUM CASEMENT WINDOW
TRACO SECURITY WINDOWS & DOORS INC.
 5100 N.W. 72 AVE.
 MIAMI, FL. 33166
 TEL. (305) 591-8890

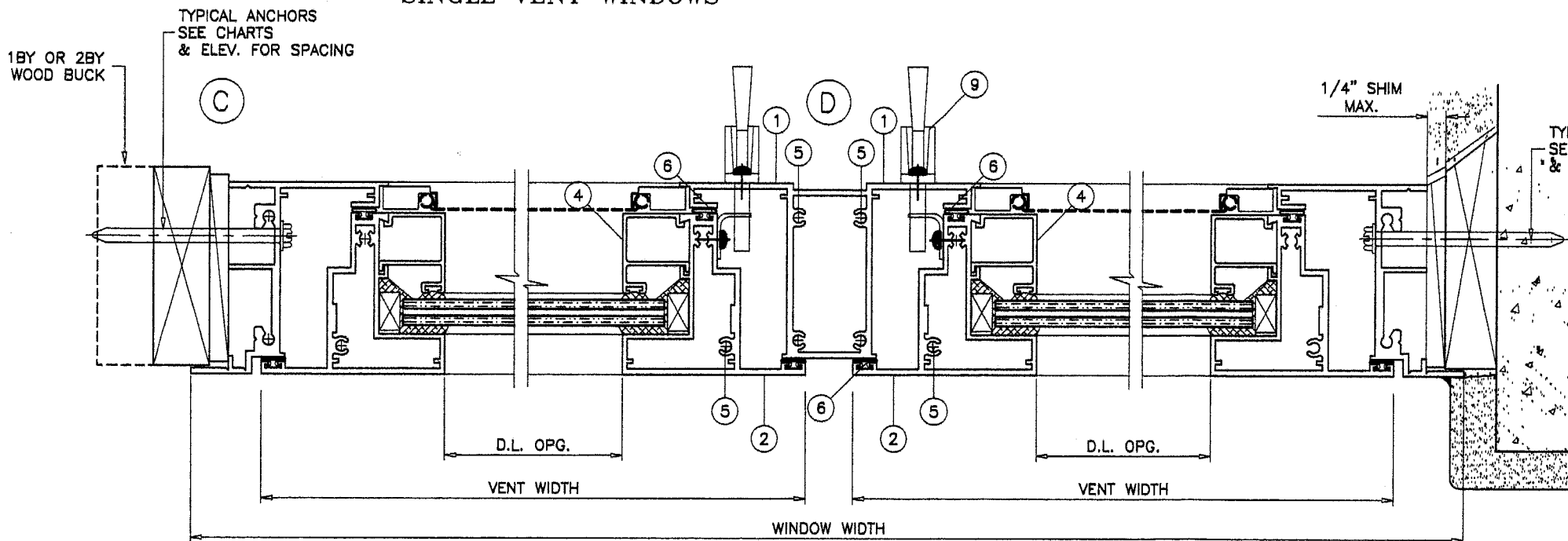
no	date	by	description

date: 04-30-01
 scale: 1/2" = 1"
 dr. by: HAMID
 chk. by:
 drawing no. **W01-23**
 sheet 2 of 4

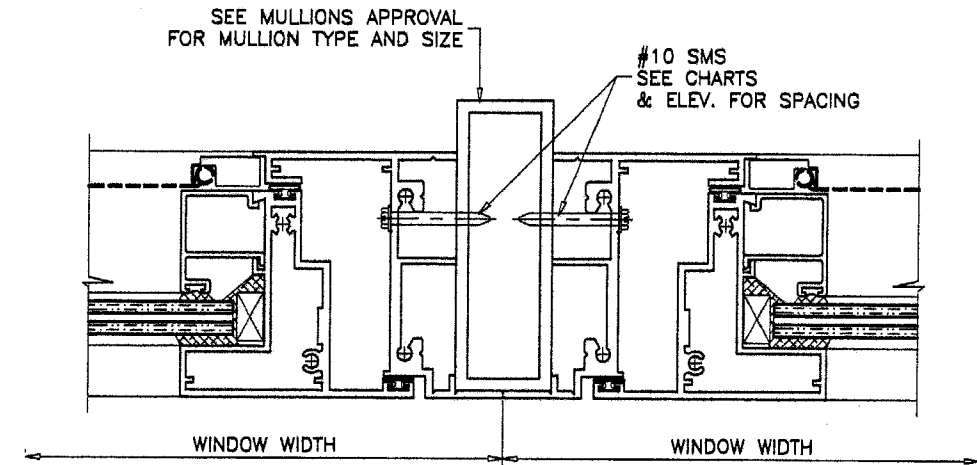
ITEM	PART #	QUANTITY	DESCRIPTION	MATERIAL	MANF./SUPPLIER/REMARKS
1	050-730	4	FRAME	6063-T5	-
2	051-731	4	VENT	6063-T5	-
3	051-732	1	CENTER POST	6063-T5	-
4	050-734	AS REQD.	GLAZING BEAD	6063-T5	-
5	-	AS REQD.	FRAME AND VENT ASSEMBLY SCREWS	-	#8 X 1" SS SMS
6	-	AS REQD.	BULB WEATHERSTRIPPING	VINYL	-
7	-	1/ CORNER	FRAME CORNER KEY	ALUMINUM	-
8	-	2/ VENT	4 BAR HINGE, AT TOP AND BOTTOM	STEEL	TRUTH, ATTACHED W/ (6) #8 X 3/8" SS SMS
9	-	2/ VENT	FACE MOUNT LOCK	STEEL	AT 13-1/2" FROM TOP & BOTTOM
10	-	2/ VENT	.110 THICK LOCK KEEPER, AT FRAME JAMB FACING LOCK	STEEL	ATTACHED W/ (2) #10 X 3/8" SS SMS
11	-	1	OPERATOR HANDLE	STEEL	TRUTH, ATTACHED W/ (2) #8 X 3/8" SS SMS



EXTERIOR
SINGLE VENT WINDOWS



EXTERIOR
DUAL VENT WINDOWS



Engr: DR. HUMAYOUN FAROOQ
STRUCTURES
FLA. PE # 16557

APPROVED AS COMPLYING WITH THE
SOUTH FLORIDA BUILDING CODE
DATE JAN 10 2001
BY Manuel Serrano

DEC 21 2001

APPROVED AS COMPLYING WITH THE
SOUTH FLORIDA BUILDING CODE
DATE JAN 10 2001
BY Manuel Serrano
PRODUCT CONTROL DIVISION
BUILDING CODE COMPLIANCE OFFICE
ACCEPTANCE NO. 000-0000-03

revisions:

no	date	by	description

date: 04-30-01
scale: 1/2" = 1"
dr. by: HAMID
chk. by:

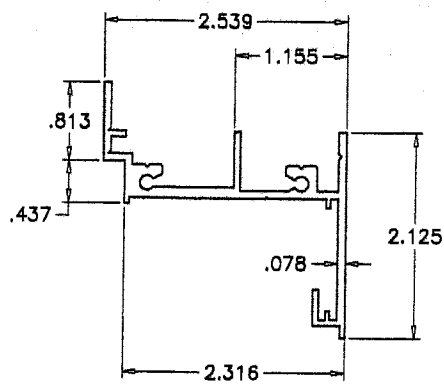
drawing no.
W01-23
sheet 3 of 4

SERIES-1000 ALUMINUM CASEMENT WINDOW
TRACO SECURITY WINDOWS & DOORS INC.
5100 N.W. 72 AVE.
MIAMI, FL. 33166
TEL. (305) 591-8990

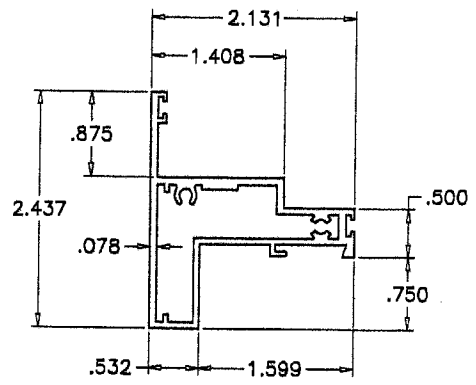
AL-FAROOQ CORPORATION
ENGINEERS, PLANNERS & PRODUCT DESIGN
1235 SW 87 AVE
MIAMI, FLORIDA 33174
TEL. (305) 264-8100 FAX. (305) 262-6978

afc

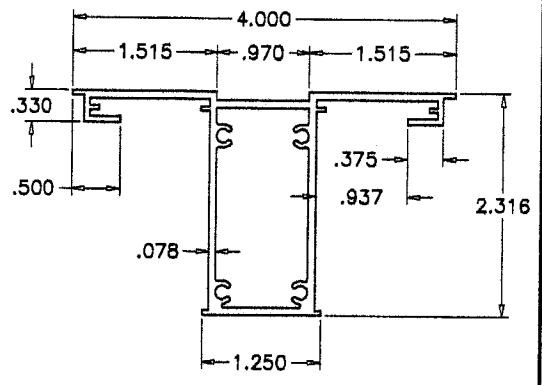
COMP-ANL\W01-23T5W



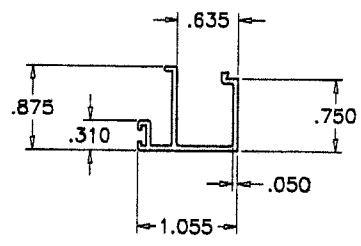
FRAME



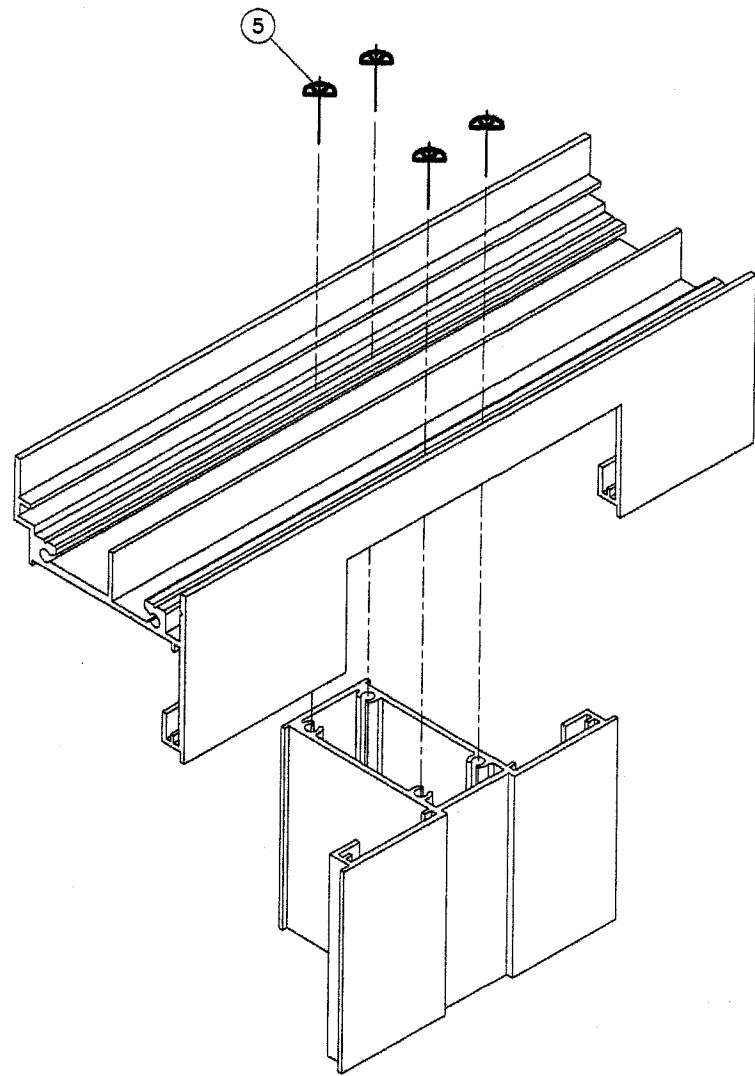
VENT



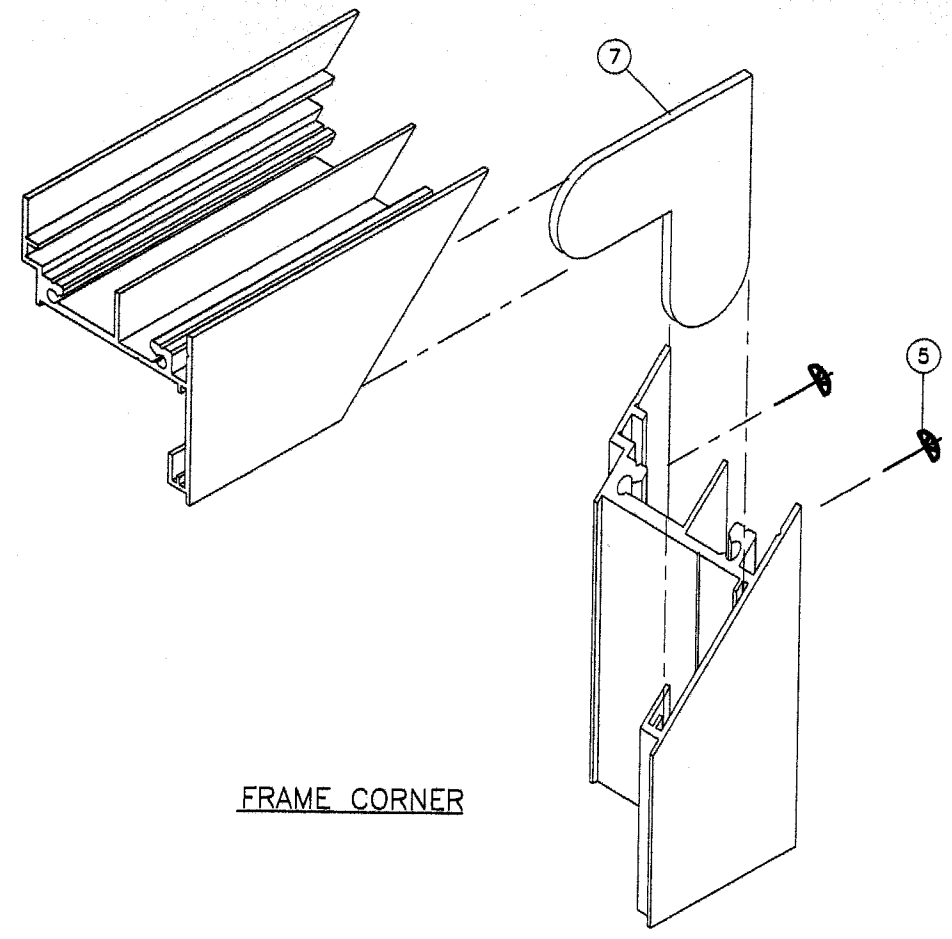
MULLION



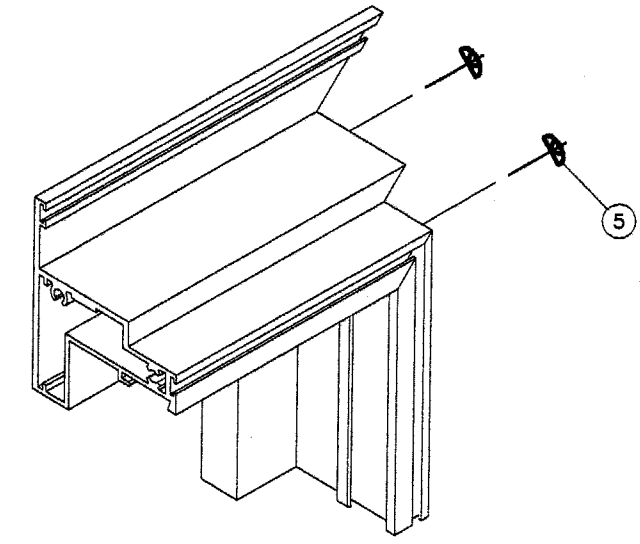
GLAZING BEAD



IMPOST COPING



FRAME CORNER



VENT CORNER

Engr: DR. HUMAYOUN FAROOQ
STRUCTURES
FLA. PE # 16557

DEC 21 2001

APPROVED AS COMPLYING WITH THE
SOUTH FLORIDA BUILDING CODE
DATE JAN 10 2001
BY *Manuel Puga*
PRODUCT CONTROL DIVISION
BUILDING CODE COMPLIANCE OFFICE
ACCEPTANCE NO. 01-0606-03

revisions:	
no	date by description

date: 04-30-01
scale: 1/2" = 1"
dr. by: HAMID
chk. by:

drawing no.
W01-23
sheet 4 of 4

AL-FAROOQ CORPORATION
ENGINEERS, PLANNERS & PRODUCT DESIGN
1235 SW 87 AVE
MIAMI, FLORIDA 33174
TEL. (305) 264-8100 FAX. (305) 262-6978

SERIES-1000 ALUMINUM CASEMENT WINDOW
TRACO SECURITY WINDOWS & DOORS INC.
5100 N.W. 72 AVE.
MIAMI, FL. 33166
TEL. (305) 591-8990

COMP-ANL\W01-23T5W