



MIAMI-DADE COUNTY
BUILDING CODE COMPLIANCE OFFICE (BCCO)
PRODUCT CONTROL DIVISION

MIAMI-DADE COUNTY, FLORIDA
METRO-DADE FLAGLER BUILDING
140 WEST FLAGLER STREET, SUITE 1603
MIAMI, FLORIDA 33130-1563
(305) 375-2901 FAX (305) 372-6339

NOTICE OF ACCEPTANCE (NOA)

www.maimidade.gov/buildingcode

Jeld – Wen, Inc. (OR)
 3250 Lakeport Blvd.
 Klamath Falls, OR 97601

SCOPE:

This NOA is being issued under the applicable rules and regulations governing the use of construction materials. The documentation submitted has been reviewed by Miami-Dade County Product Control Division and accepted by the Board of Rules and Appeals (BORA) to be used in Miami Dade County and other areas where allowed by the Authority Having Jurisdiction (AHJ).

This NOA shall not be valid after the expiration date stated below. The Miami-Dade County Product Control Division (In Miami Dade County) and/or the AHJ (in areas other than Miami Dade County) reserve the right to have this product or material tested for quality assurance purposes. If this product or material fails to perform in the accepted manner, the manufacturer will incur the expense of such testing and the AHJ may immediately revoke, modify, or suspend the use of such product or material within their jurisdiction. BORA reserves the right to revoke this acceptance, if it is determined by Miami-Dade County Product Control Division that this product or material fails to meet the requirements of the applicable building code.

This product is approved as described herein, and has been designed to comply with the Florida Building Code, including the High Velocity Hurricane Zone.

DESCRIPTION: Series 6'-8" W/E Outswing Glazed Steel French Door - L.M.I.

APPROVAL DOCUMENT: Drawing No. **JW0509-03-01**, titled "Wood Edge Impact Glazed Steel Door 6'-8" Outswing Single or Double", sheets 1 through 6, of 6 prepared by O. M. Engineering Services, Inc., dated 12/17/04 with revision "C" dated 02/05/08, signed, sealed and dated 06/07/08 by Nimesh Bhavsar, P.E., bearing the Miami-Dade County Product Control Revision stamp with the Notice of Acceptance number and expiration date by the Miami-Dade County Product Control Division.

MISSILE IMPACT RATING: Large and Small Missile Impact Resistant

LABELING: Each unit shall bear a permanent label with the manufacturer's name or logo, city, state and following statement: "Miami-Dade County Product Control Approved", unless otherwise noted herein.

RENEWAL of this NOA shall be considered after a renewal application has been filed and there has been no change in the applicable building code negatively affecting the performance of this product.

TERMINATION of this NOA will occur after the expiration date or if there has been a revision or change in the materials, use, and/or manufacture of the product or process. Misuse of this NOA as an endorsement of any product, for sales, advertising or any other purposes shall automatically terminate this NOA. Failure to comply with any section of this NOA shall be cause for termination and removal of NOA.

ADVERTISEMENT: The NOA number preceded by the words Miami-Dade County, Florida, and followed by the expiration date may be displayed in advertising literature. If any portion of the NOA is displayed, then it shall be done in its entirety.

INSPECTION: A copy of this entire NOA shall be provided to the user by the manufacturer or its distributors and shall be available for inspection at the job site at the request of the Building Official.

This NOA revises NOA # **05-1215.01** and consists of this page 1 and evidence pages E-1 and E-2, as well as approval document mentioned above.

The submitted documentation was reviewed by **Jaime D. Gascon, P.E.**



J. Gascon
7/1/08

NOA No. 08-0312.09
Expiration Date: May 25, 2011
Approval Date: July 24, 2008
Page 1

NOTICE OF ACCEPTANCE: EVIDENCE SUBMITTED

A. DRAWINGS

1. Manufacturer's die drawings and sections.
2. Drawing No **JW0509-03-01**, titled "Wood Edge Impact Glazed Steel Door 6'-8" Outswing Single or Double", sheets 1 through 6, of 6 prepared by O. M. Engineering Services, Inc., dated 12/17/04 with revision "C" dated 02/05/08, signed, sealed and dated 06/07/08 by Nimesh Bhavsar, P.E.

B. TESTS

1. Test reports on: 1) Standard Test Methods for Tension Testing of Metallic Materials, per ASTM E 8-01
Along with marked-up drawings and installation diagram of the tensile properties of a steel door skin, prepared by Architectural Testing, Inc., Test Report No. **ATI 61782.01-106-31**, dated January 30, 2006, signed and sealed by Joseph A. Reed, P. E.
(Submitted under previous NOA # 05-1215.01)
2. Test reports on: 1) Air Infiltration Test, per FBC, TAS 202-94
2) Uniform Static Air Pressure Test, Loading per FBC, TAS 202-94
3) Water Resistant Test, per FBC, TAS 202-94
4) Large Missile Impact Test per FBC, TAS 201-94
5) Cyclic Wind Pressure Loading per FBC, TAS 203-94
6) Forced Entry Test, per FBC 2411 3.2.1, TAS 202-94
Along with marked-up drawings and installation diagram of outswing steel door, prepared by National Certified Testing Laboratories, Test Report No. **NCTL 210-3195-1** dated 09/28/05, signed and sealed by Gerard John Ferrara, P.E.
(Submitted under previous NOA # 05-1215.01)

C. CALCULATIONS

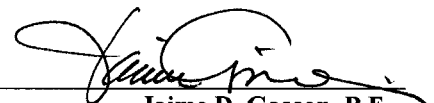
1. Anchor verification calculations and structural analysis, complying with FBC-2004, prepared by O. M. Engineering Services, Inc., dated 03/07/08, signed and sealed by Nimesh Bhavsar, P.E.
Complies with ASTM E1300-02

D. QUALITY ASSURANCE

1. Miami Dade Building Code Compliance Office (BCCO).

E. MATERIAL CERTIFICATIONS

1. Notice of Acceptance No. **03-0827.08** issued to Solutia Inc. for "Clear or Colored Interlayer" dated 03/04/04, and expiring dated 03/04/09.
2. Notice of Acceptance No. **07-0214.07**, issued to ODL Inc. for "ODL/Western Reflection Series Aluminum Glazed Lite Kit Assembly-Impact" approved dated 03/22/07, expiring dated 07/28/10.



Jaime D. Gascon, P.E.
Chief, Product Control Division
NOA No. 08-0312.09
Expiration Date: May 25, 2011
Approval Date: July 24, 2008

Jeld – Wen, Inc. (OR)

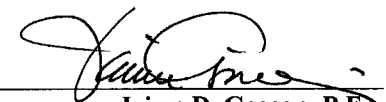
NOTICE OF ACCEPTANCE: EVIDENCE SUBMITTED

F. STATEMENTS

1. Statement letter of no financial interest and conformance, dated February 22, 2008, signed and sealed by Nimesh Bhavsar, P.E.
2. Statement Letter of conformance and letter of “No financial interest” issued Jeld-Wen, dated February 27, 2008, signed by Steve Saffell.
3. Laboratory compliance letter for Test Report no. **ATI 61782.01-106-31**, issued by Architectural Testing, Inc., dated February 06, 2006, signed and sealed by Joseph A. Reed, P. E.
(Submitted under previous NOA # 05-1215.01)
4. Laboratory compliance letter for Test Report no. **NCTL 210-3195-1**, issued by National Certified Testing Laboratories, dated October 07, 2005, signed and sealed by Gerard John Ferrara, P.E.
(Submitted under previous NOA # 05-1215.01)

G. OTHERS

1. Notice of Acceptance No. **05-1215.01**, issued to Jeld – Wen, Inc. (OR) for their Series “6’-8” Outswing Glazed Steel Door – L.M.I. ”, approved dated 05/25/06 and expiring dated 05/25/11.



Jaime D. Gascon, P.E.
Chief, Product Control Division
NOA No. 08-0312.09
Expiration Date: May 25, 2011
Approval Date: July 24, 2008

JELD-WEN® Steel

WOOD EDGE IMPACT GLAZED STEEL DOOR
6-8 OUTSWING SINGLE OR DOUBLE DOOR UNIT
UTILIZING COMPONENTS FROM ODL® INC. AND
ENDURA PRODUCTS INC.

GENERAL NOTES

1. THE PRODUCT SHOWN HEREIN IS DESIGNED TO COMPLY WITH THE CURRENT FLORIDA BUILDING CODE (FBC) BASED ON THE SIGNED AND SEALED DATE; INCLUDING HVHZ AND HAS BEEN EVALUATED IN ACCORDANCE WITH THE FOLLOWING:
TAS 201-94
TAS 202-94
TAS 203-94
2. WOOD BUCKS BY OTHERS, MUST BE ANCHORED PROPERLY TO TRANSFER LOADS TO THE STRUCTURE.
3. PRODUCT ANCHORS SHALL BE AS LISTED AND SPACED AS SHOWN ON DETAILS. ANCHOR EMBEDMENT TO BASE MATERIAL SHALL BE BEYOND WALL DRESSING OR STUCCO.
4. DESIGNED PRESSURE RATING SEE TABLE I, PAGE 1.
5. THIS PRODUCT MEETS THE WATER REQUIREMENTS FOR HIGH VELOCITY HURRICANE ZONE (HVHZ)
6. PRODUCT DOES NOT REQUIRE SHUTTERS

RESIDENTIAL INSULATED STEEL DOOR (Common to all frame conditions) DOOR LEAF CONSTRUCTION:

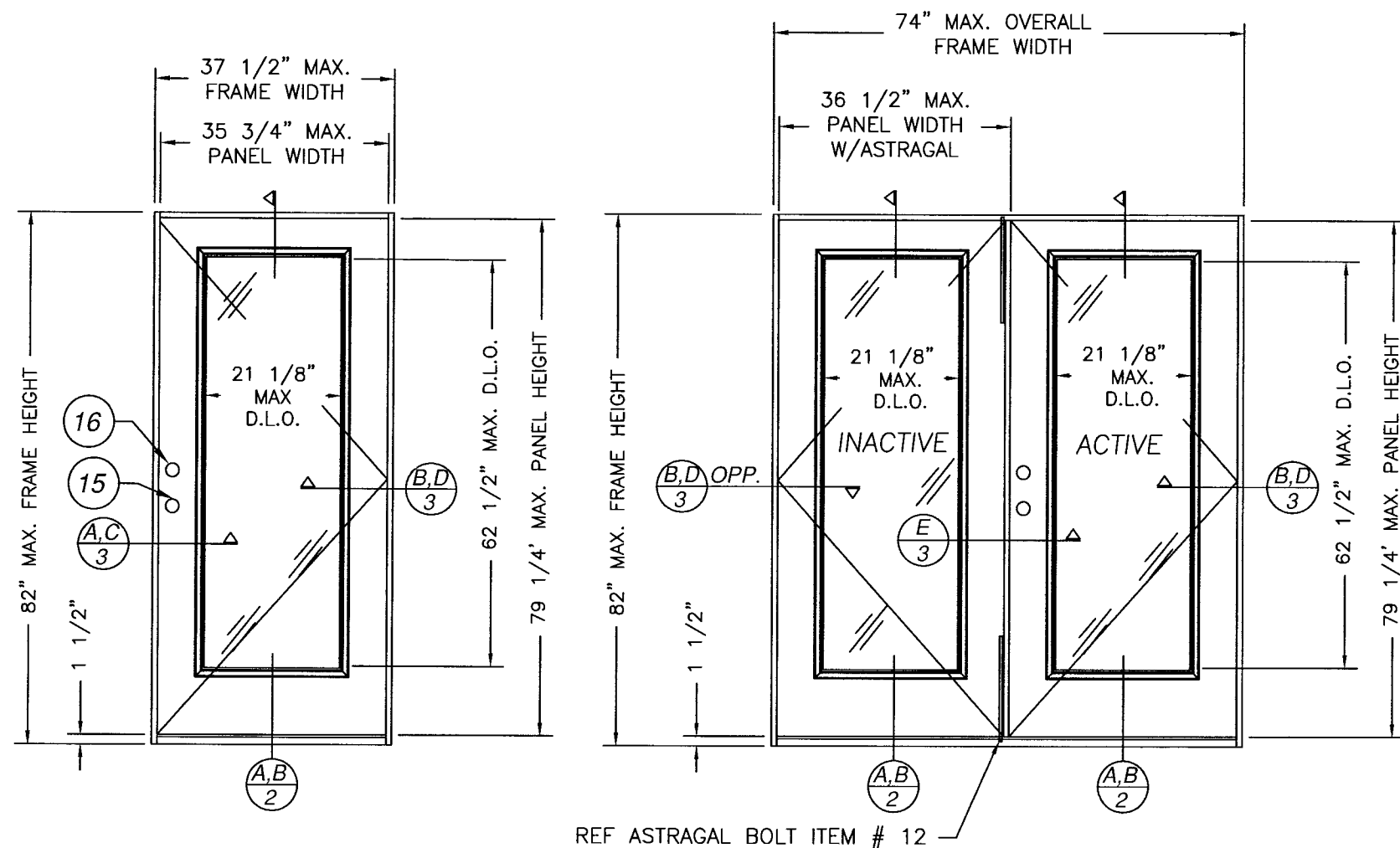
Face sheets: 24 GA (0.021" min) thickness. Galvanized steel A-525 commercial quality AKDQ per ASTM 620 with average minimum yield strength $F_y(\text{ave})=30627$ psi.

Core Design: Expanded polystyrene with 1.0 to 1.25 lbs density, by Jeld-Wen Inc.

Panel Construction: The active and inactive panels are constructed from 24 GA (0.021" min) galvanized steel. The face sheets at top and bottom are bent 90° over the top and bottom rails. The top rail measures 1.0" high x 1.688" wide. The steel bottom rail measures 1.21" high x 1.688" wide. The sides of the face sheets are roll formed into the latch and hinge stiles which measure 1.00" high x 1.688" wide. The interior cavity is filled with expanded polystyrene. The face sheets are glued to the expanded polystyrene. The panels are cut out for the two-piece ODL Aluminum lite frame. Units are glazed with tempered and laminated impact 1" IG. On double door applications the inactive door is fitted with an extruded aluminum astragal of 6063-T5 alloy, manufactured by Endura.

Frame Construction: The frames are constructed of fingerjointed pine jambs measuring 4-9/16" x 1-1/4". The head jambs are mortised and butt joined to the side jambs, and attached with three (3) 16GA 7/16" crown x 2" long staples on each side. The threshold is attached to the side jambs with three (3) 16GA 7/16" crown x 2" long staples on each side.

Glazing: ODL insulated lite is 1" overall thickness, consisting of one (1) pane of 0.125" tempered glass; 0.5" air space; two (2) panes of 0.125" annealed with .090" PVB interlayer by Solutia. All lites are sandwiched glazed into the panels.



SINGLE OUTSWING UNIT (X)
SCALE: 1/2" = 1'-0"

DOUBLE OUTSWING UNIT (XX)
SCALE: 1/2" = 1'-0"

ALL DOOR MODELS ARE VIEWED
FROM THE INTERIOR SIDE

TABLE OF CONTENTS	
SHEET #	DESCRIPTION
1	TYPICAL ELEVATIONS
2	VERTICAL CROSS SECTION & BILL OF MATERIAL
3	HORIZONTAL CROSS SECTIONS
4	ANCHORING LOCATIONS
5	COMPONENT DETAILS
6	UNIT COMPONENTS

TABLE I		DESIGN PRESSURE RATING
		APPROVED FOR USE WHERE PROTECTION FOR WATER INFILTRATION IS REQUIRED
POSITIVE		+60.0 PSF
NEGATIVE		-60.0 PSF

PRODUCT REVISED
as complying with the Florida
Building Code
Acceptance No. 08-0312.09
Expiration Date 05/25/2011
By:
Miami Dade Product Control
Division

NIMESH BHAVSAR
FLORIDA P.E. NO. 56861

OW ENGINEERING SERVICES, INC.
P.O. BOX 556393
ORLANDO, FL 32856
FBPE Certificate of Authorization No. 26637

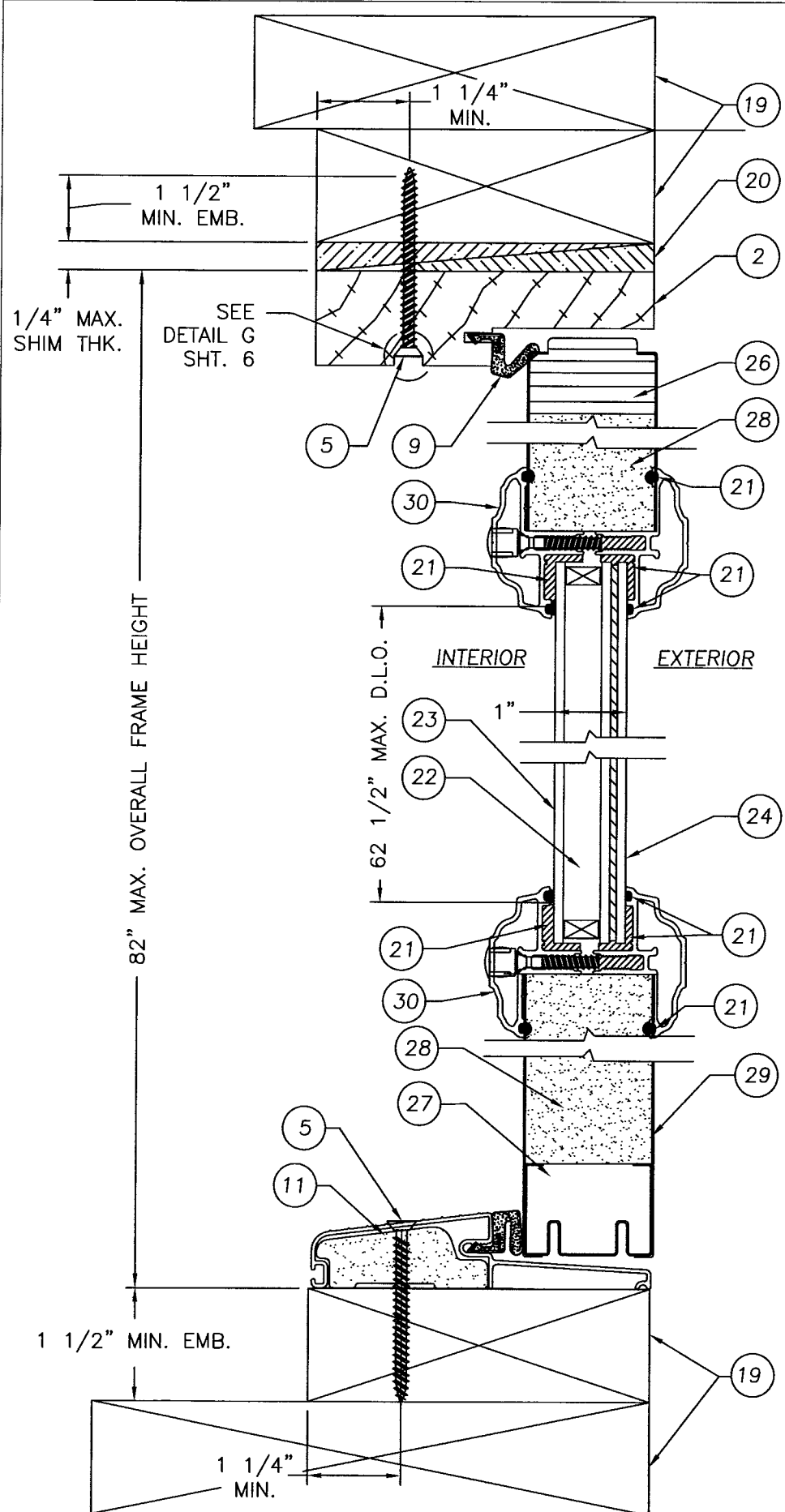
DATE: 2/5/08
SCALE: AS NOTED
DWG. BY: EAG
CHK. BY: S. SAFFELL
DRAWING NO.: JW0509-03
SHEET 1 of 6

PRODUCT: WOOD EDGE IMPACT GLAZED
STEEL DOOR 6-8 OUTSWING
SINGLE OR DOUBLE
PART OR ASSEMBLY:
TYPICAL ELEVATIONS &
GENERAL NOTES

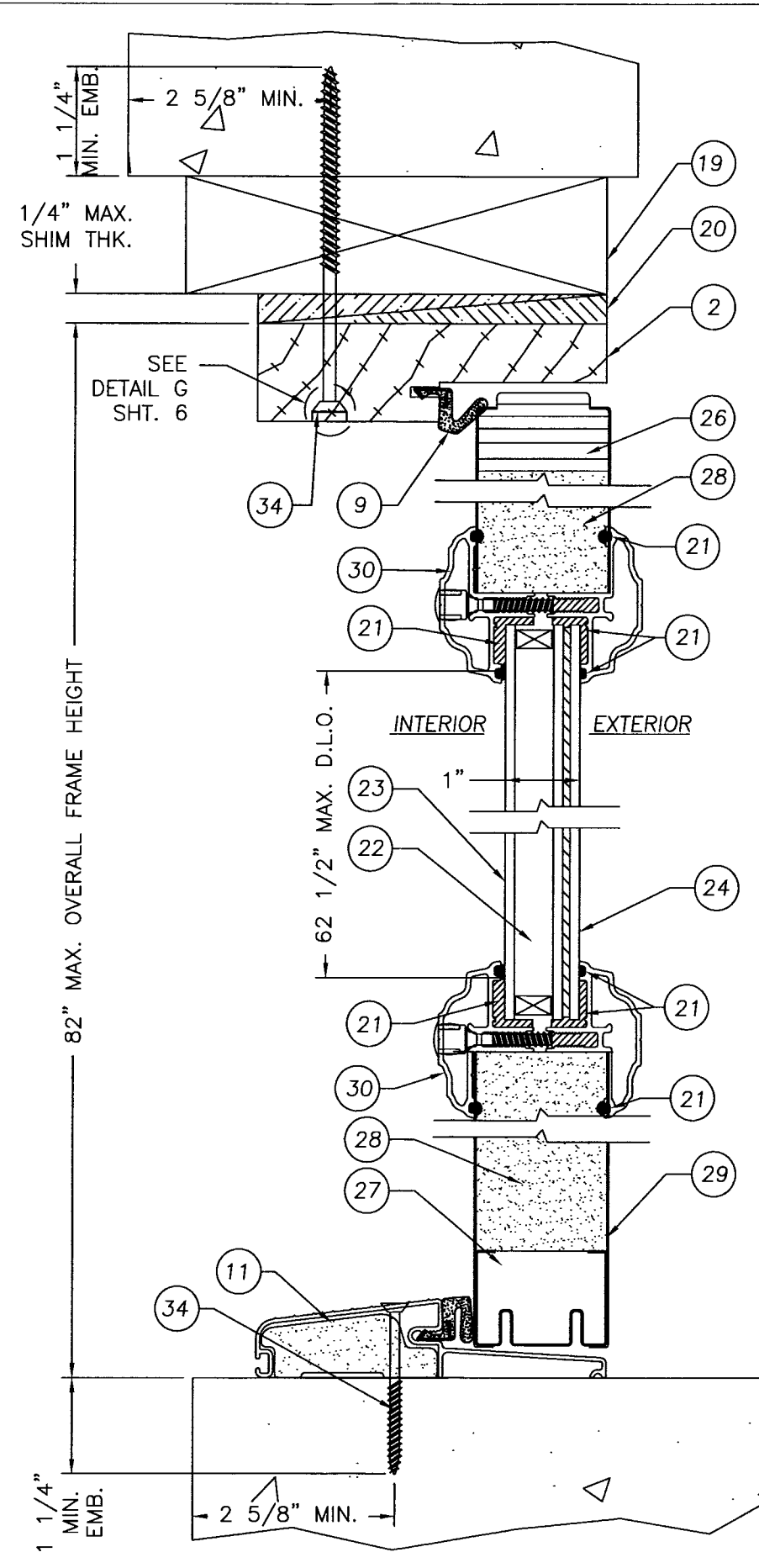
JELD-WEN, INC.
3737 LAKEPORT BLVD.
KLAMATH FALLS, OR, 97601
PH. 541-882-3451

REVISIONS

NO.	DATE	BY	REVISIONS
C	2/5/08	EAG	ADD CONC. DWG.
B	4/8/06	DREW	GENERAL REVISION
A	12/17/04	DREW	GENERAL REVISION



A VERTICAL CROSS SECTION TYP.
2 WOOD FRAME INSTALLATION SCALE: 6" = 1'-0"



B VERTICAL CROSS SECTION TYP.
2 CONCRETE INSTALLATION SCALE: 6" = 1'-0"

Item	DESCRIPTION	Material
1	SIDE JAMB (1 1/4"x 4 9/16" FINGERJOINTED PINE)	PINE
2	HEAD JAMB (1 1/4"x 4 9/16" FINGERJOINTED PINE)	PINE
3	4" x 4" BUTT HINGE 12GA. (.089" MIN)	STEEL
4	#9 x 5/8" PHILLIPS FLATHEAD WOOD SCREW	STEEL
5	#8 PHILLIPS HD SCREW WITH 1 1/2" MIN. EMBED.	STEEL
6	#10 X 1 1/2" PHILLIPS FLATHEAD WOOD SCREW	STEEL
7	#8 X 3" PHILLIPS FLATHEAD WOOD SCREW	STEEL
8	#8X1" PHILLIPS FLAT HEAD WOOD SCREW	STEEL
9	COMPRESSION WEATHERSTRIP (Q-LON QDS-650)	
11	OUTSWING THRESHOLD (ENDURA) (ALUM T6063-T6)	ALUMINUM
12	ASTRAGAL THROW BOLT, STEEL ROD, 5/16" x 18"	STEEL
13	ASTRAGAL BOLT STRIKE PLATE LOCATED ON HEAD JAMB	STEEL
14	16 Ga. 7/16" CROWN x 2" LONG STAPLES	STEEL
15	KWIKSET TITAN SERIES LOCK SERIES 400	
16	KWIKSET TITAN SERIES DEADBOLT SERIES 780	
17	ENDURA ULTIMATE HURRICANE ASTRAGAL (ALUM 6063-T6)	ALUMINUM
18	ASTRAGAL BOLT STRIKE PLATE ON BOTTOM SILL	
19	2x WOOD BUCK	WOOD
20	NON COMPRESSION SHIM	WOOD
21	DOW 995 SILICONE SEALANT	SILICONE
22	1" IMPACT IG ASSEMBLY NOA #03-0428-02	GLASS
23	1/8" TEMPERED GLASS	GLASS
24	3/8" LAMINATED ANNEALED GLASS	GLASS
25	LOCK BLOCK (LVL x 12" LG)	LVL
26	TOP RAIL (FINGERJOINTED PINE)	PINE
27	BOTTOM RAIL (25GA MIN GALVANIZED STEEL)	STEEL
28	EXPANDED POLYSTYRENE (1.0 TO 1.25lbs DENSITY BY JELD-WEN)	FOAM
29	STEEL DOOR PANEL SKIN MATERIAL (24GA GALVANIZED) A-525 COMMERCIAL QUALITY 0.021" MIN. THICK.)	STEEL GALVANIZED
30	ODL LITE FRAME (ALUM 6063 T5)	ALUMINUM
31	HINGE SIDE STILE (FINGER JOINTED LVL)	PINE
32	LATCH SIDE STILE (FINGER JOINTED LVL)	LVL
33	#8 x 2" PHILLIPS FLATHEAD WOOD SCREW	STEEL
34	3/16" ITW BUILDEX TAPCON WITH 1.25" MIN. EMBEDMENT	STEEL

JELD-WEN, INC.
 3737 LAKEPORT BLVD.
 KLAMATH FALLS, OR, 97601
 PH. 541-882-3451

PRODUCT: WOOD EDGE IMPACT GLAZED STEEL DOOR 6-8 OUTSWING SINGLE OR DOUBLE
 PART OR ASSEMBLY: VERTICAL CROSS SECTIONS BILL OF MATERIAL

NO.	DATE	BY	REVISIONS
C	2/5/08	EAG	ADD CONC. DWG.
B	4/8/06	DREW	GENERAL REVISION
A	12/17/04	DREW	GENERAL REVISION

DATE: 2/5/08
 SCALE: AS NOTED
 DWG. BY: EAG
 CHK. BY: S. SAFFELL
 DRAWING NO.: JW0509-03
 SHEET 2 OF 6

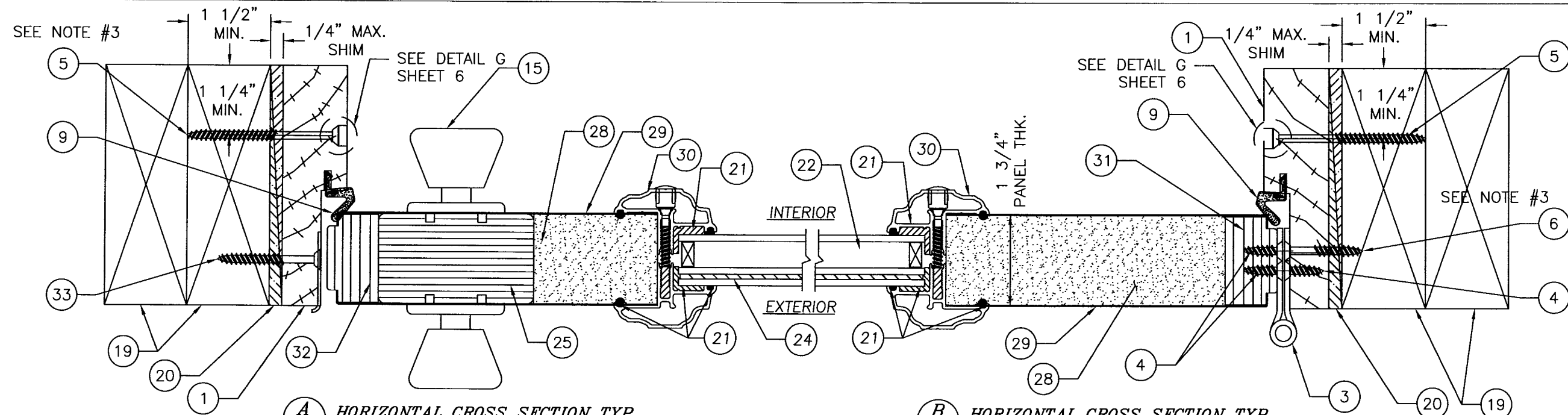
PRODUCT REVISED as complying with the Florida Building Code
 Acceptance No 08-0312.09
 Expiration Date 05/25/2011

By: *[Signature]*
 Miami Made Product Control Division

NIMESH BHAVSAR
 FLORIDA P.E. NO. 56861

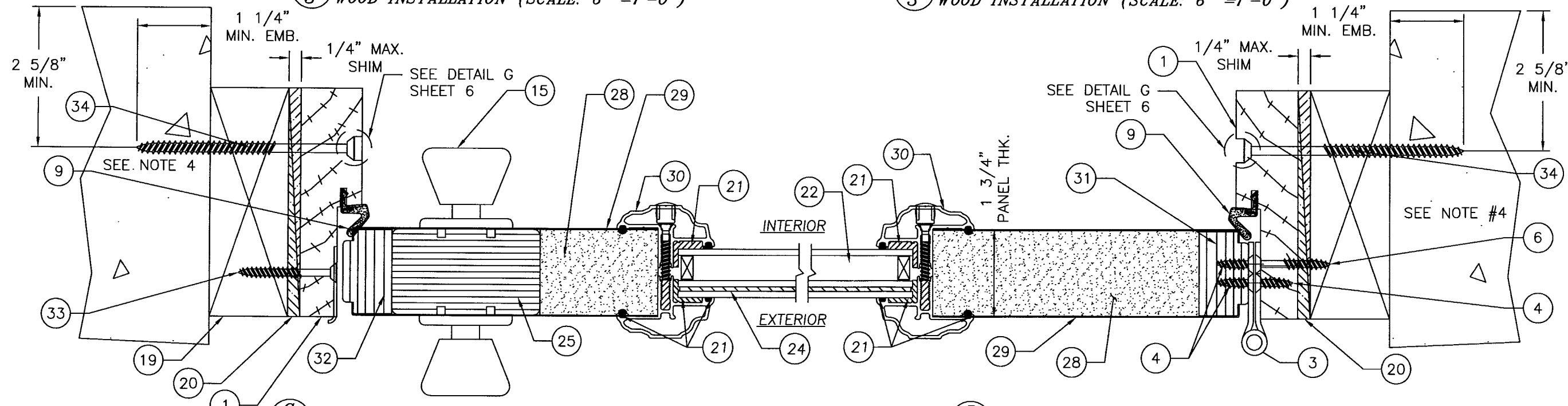
OM ENGINEERING SERVICES, INC.
 P.O. BOX 560098
 ORLANDO, FL 32858
 FBPE Certificate of Authorization No. 26637

JELD-WEN, INC.
 3737 LAKEPORT BLVD.
 KLAMATH FALLS, OR, 97601
 PH. 541-882-3451



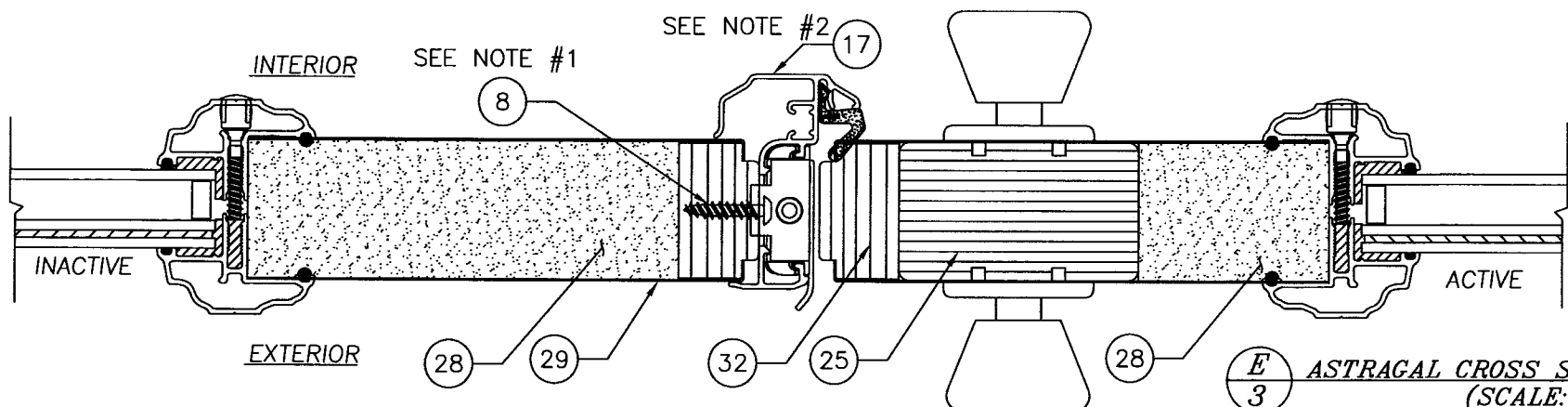
A HORIZONTAL CROSS SECTION TYP.
3 WOOD INSTALLATION (SCALE: 6" = 1'-0")

B HORIZONTAL CROSS SECTION TYP.
3 WOOD INSTALLATION (SCALE: 6" = 1'-0")



C HORIZONTAL CROSS SECTION TYP.
3 CONCRETE INSTALLATION (SCALE: 6" = 1'-0")

D HORIZONTAL CROSS SECTION TYP.
3 CONCRETE INSTALLATION (SCALE: 6" = 1'-0")



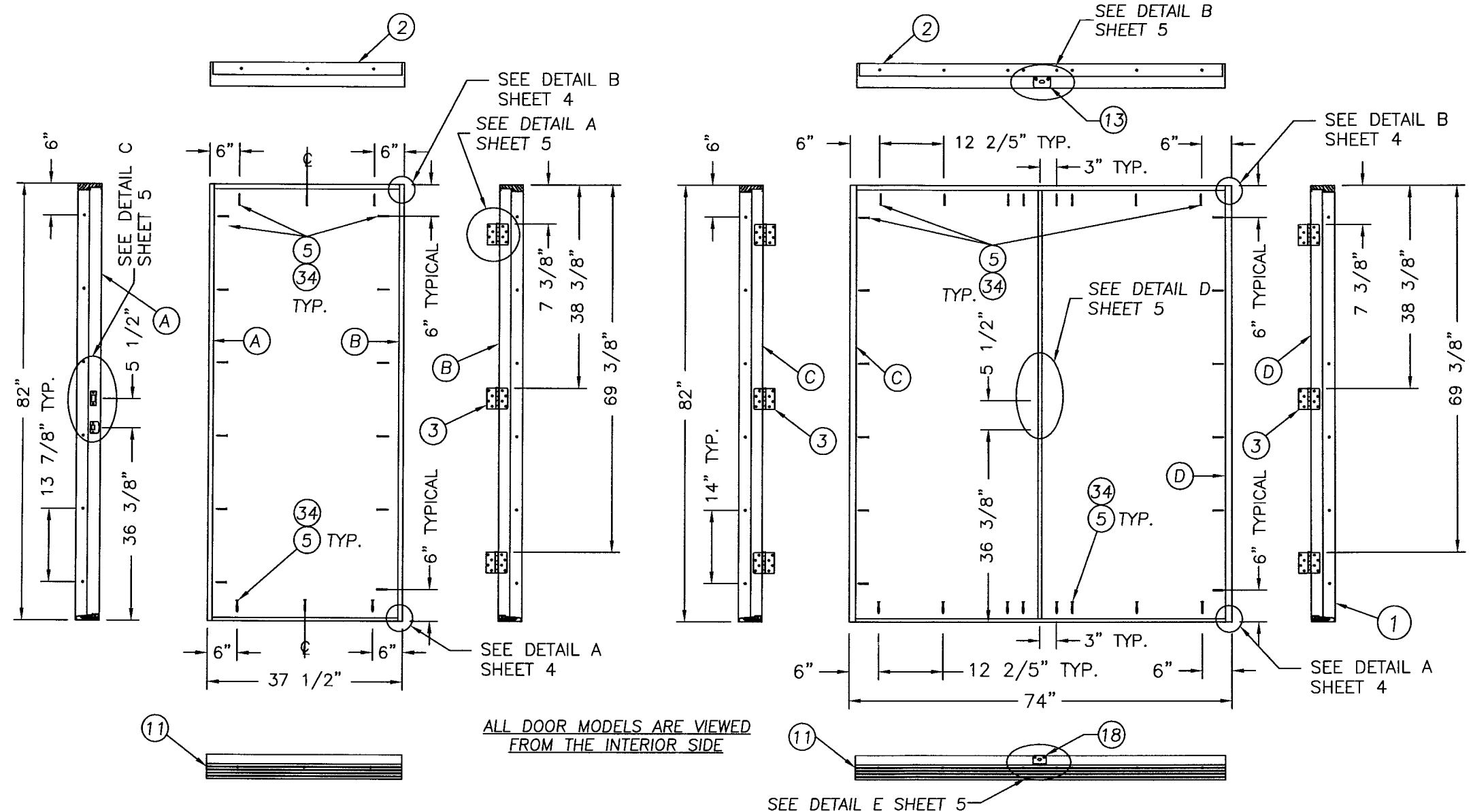
E ASTRAGAL CROSS SECTION TYP.
3 (SCALE: 6" = 1'-0")

- NOTES:
1. ASTAGAL FASTENER SPACING DETAIL F, PAGE #5. (TOTAL OF 14 SCREWS).
 2. LATCH AND DEADBOLT STRIKE PLATES MOUNT TO ASTRAGAL WITH ADJUSTABLE NUT PLATES. BOTH PLATES REQUIRE #8 X 3" PHILLIPS FLAT HEAD WOOD SCREWS
 3. FOR ANCHOR SPACING SEE SHEET 4 OF 6
 4. 2x BUCK TO SUBSTRATE FASTENING MAY UTILIZE OPTIONAL 3/16" ELCO TAPCON (NOA #02-0503.07)

PRODUCT REVISED
 as complying with the Florida
 Building Code
 Acceptance No 08-0312.09
 Expiration Date 05/25/2011
 By *[Signature]*
 Miami Dade Product Control
 Division

NIMESH BHAVSAR
 FLORIDA P.E. NO. 56861
[Signature]
 OM ENGINEERING SERVICES, INC.
 P.O. BOX 567095
 ORLANDO, FL 32856
 FBPE Certificate of Authorization No. 26637

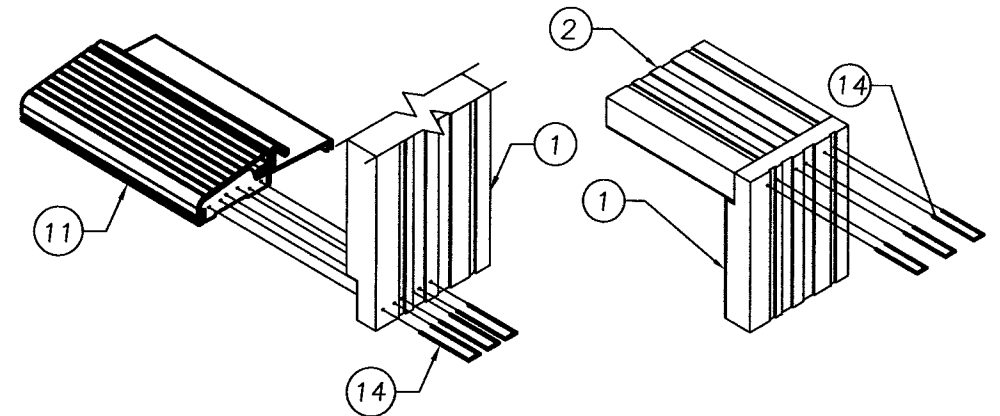
PRODUCT: WOOD EDGE IMPACT GLAZED STEEL DOOR 6-8 OUTSWING SINGLE OR DOUBLE		PART OR ASSEMBLY:	
HORIZONTAL CROSS SECTIONS		HORIZONTAL CROSS SECTIONS	
REVISIONS		REVISIONS	
NO.	DATE	BY	REVISIONS
C	2/5/08	EAG	ADD CONC. DWG.
B	4/8/06	DREW	GENERAL REVISION
A	12/17/04	DREW	GENERAL REVISION
DATE		DATE	
2/5/08		2/5/08	
SCALE: AS NOTED		SCALE: AS NOTED	
DWG. BY: EAG		DWG. BY: EAG	
CHK. BY: S. SAFFELL		CHK. BY: S. SAFFELL	
DRAWING NO.: JW0509-03		DRAWING NO.: JW0509-03	
SHEET 3 OF 6		SHEET 3 OF 6	



ALL DOOR MODELS ARE VIEWED FROM THE INTERIOR SIDE

ANCHORING LOCATIONS OUTSWING SINGLE UNIT (X)
SCALE: 1/2" = 1'-0"

ANCHORING LOCATIONS DOUBLE OUTSWING UNIT (XX)
SCALE: 1/2" = 1'-0"



DETAIL A
SCALE: 3" = 1'-0"

DETAIL B
SCALE: 3" = 1'-0"

JELD-WEN, INC.
3737 LAKEPORT BLVD.
KLAMATH FALLS, OR, 97601
PH. 541-882-3451

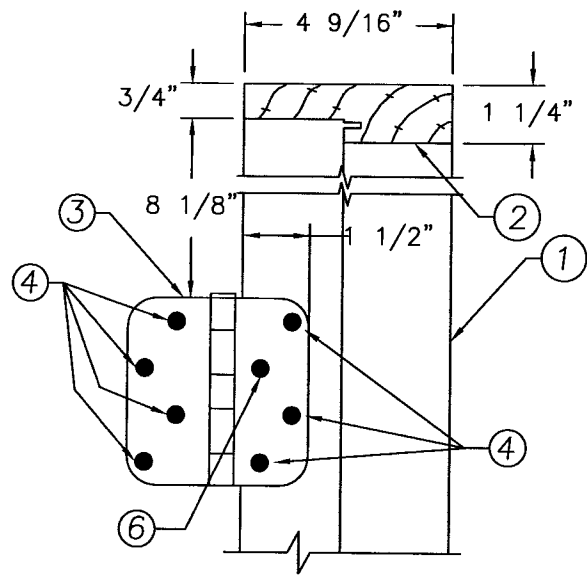
PRODUCT: WOOD EDGE IMPACT GLAZED STEEL DOOR 6-8 OUTSWING SINGLE OR DOUBLE
PART OR ASSEMBLY: ANCHORING LOCATIONS & DETAILS

NO.	DATE	REVISIONS	BY
C	2/5/08	ADD CONC. DWG.	EAG
B	4/8/06	GENERAL REVISION	IDREW
A	12/17/04	GENERAL REVISION	

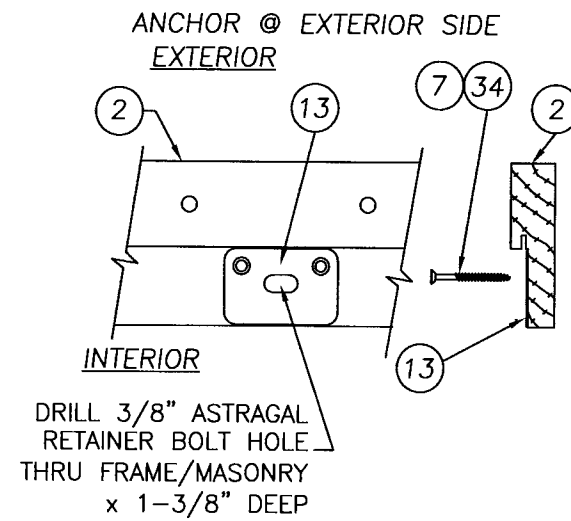
PRODUCT REVISED as complying with the Florida Building Code
Acceptance No. 08-0312.09
Expiration Date 05/25/2011
By: *[Signature]*
Miami Trade Product Control Division

NIMESH BHAVSAR
FLORIDA P.E. NO. 56861
[Signature]
OM ENGINEERING SERVICES, INC.
P.O. BOX 560098
ORLANDO, FL 32856
FBPE Certificate of Authorization No. 26637

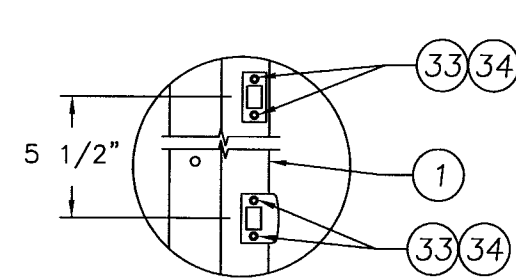
DATE: 2/5/08
SCALE: AS NOTED
DWG. BY: EAG
CHK. BY: S. SAFFELL
DRAWING NO.: JW0509-03
SHEET 4 OF 6



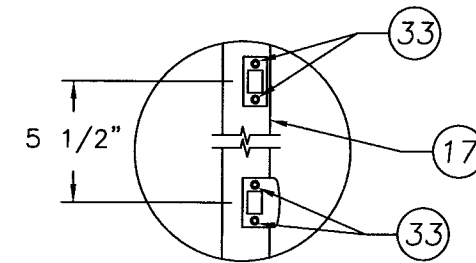
DETAIL A - HINGE MOUNTING DETAIL
SCALE: 3" = 1'-0"



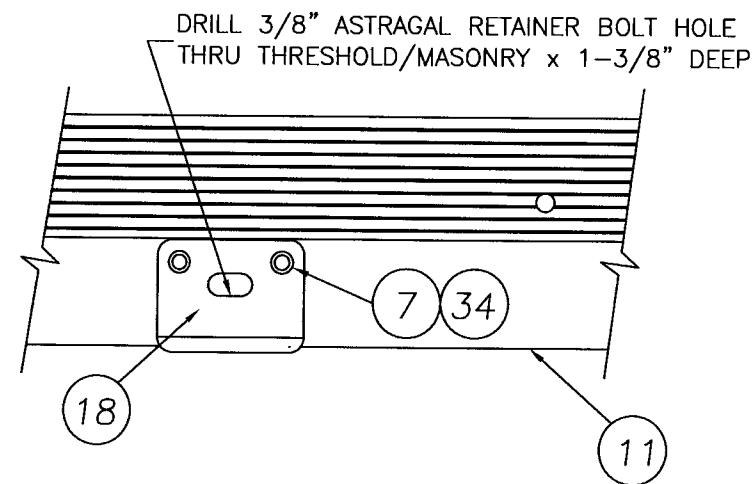
DETAIL B
THROWBOLT STRIKE PLATE FOR HEAD
SCALE: 3" = 1'-0"



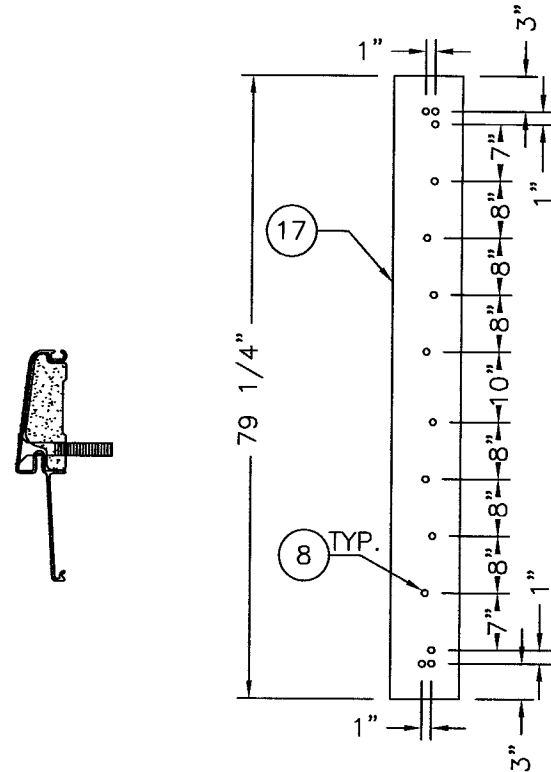
DETAIL C
STRIKE PLATES TO JAMBS
SCALE: 3/8" = 1'-0"



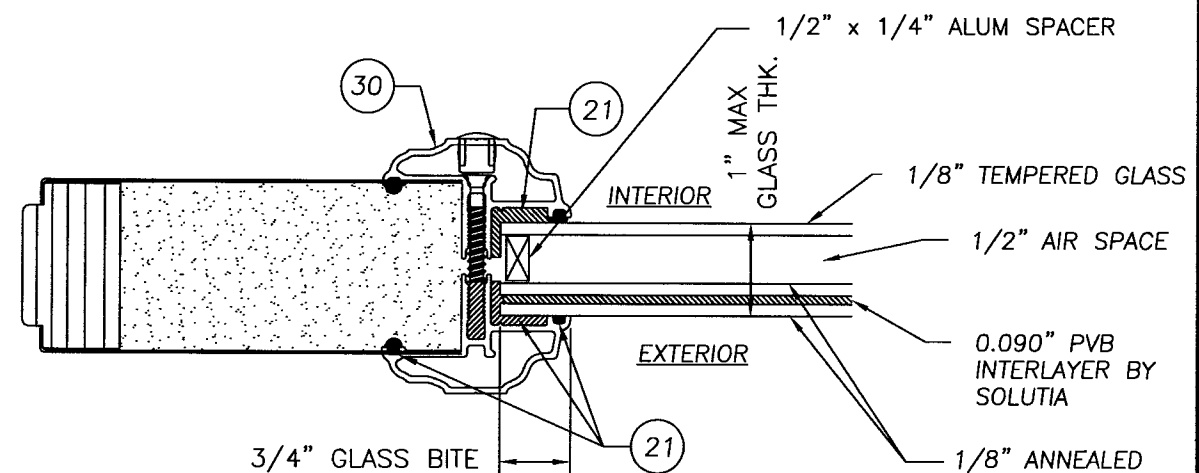
DETAIL D
STRIKE PLATES TO ASTRAGAL
SCALE: 3/8" = 1'-0"



DETAIL E
ASTRAGAL RETAINER STRIKE PLATE FOR SILL
SCALE: 3" = 1'-0"



DETAIL F - ENDURA ASTRAGAL
FASTENER SPACING USE #8x1" PPH WS
SCALE: NTS



GLAZING DETAIL ISULATED GLASS
SCALE: 6" = 1'-0"

JELD-WEN, INC.
3737 LAKEPORT BLVD.
KLAMATH FALLS, OR, 97601
PH. 541-882-3451

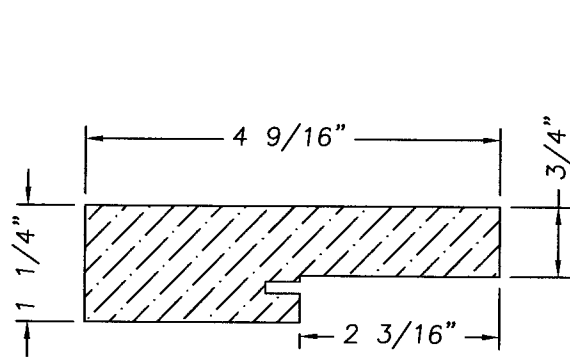
PRODUCT: WOOD EDGE IMPACT GLAZED
STEEL DOOR 6-8 OUTSWING
SINGLE OR DOUBLE
PART OR ASSEMBLY:
COMPONENT DETAILS

NO.	DATE	BY	REVISIONS
C	2/5/08	EAG	ADD CONC. DWG.
B	4/8/06	DREW	GENERAL REVISION
A	12/17/04		GENERAL REVISION

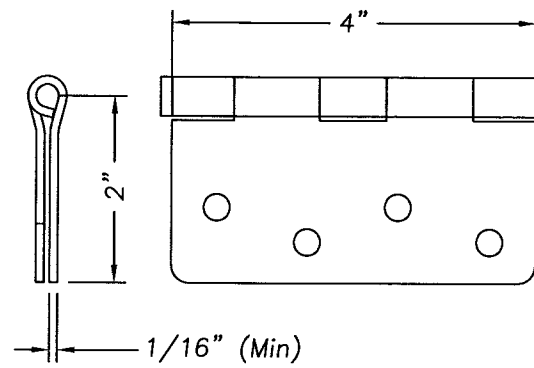
PRODUCT REVISED
as complying with the Florida
Building Code
Acceptance No. 08-0312.09
Expiration Date 05/25/2011
By: *[Signature]*
Miami Dade Product Control
Division

NIMESH BHAVSAR
FLORIDA P.E. NO. 56861
[Signature]
6/7/08
OM ENGINEERING SERVICES, INC.
P.O. BOX 560098
ORLANDO, FL 32856
FBPE Certificate of Authorization No. 26637

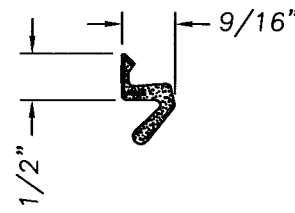
DATE: 2/5/08
SCALE: AS NOTED
DWG. BY: EAG
CHK. BY: S. SAFFELL
DRAWING NO.: JW0509-03
SHEET 5 OF 6



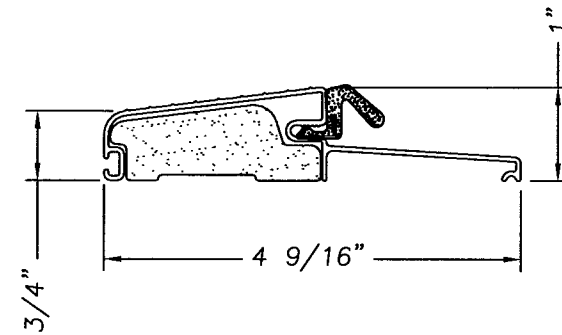
1 WOOD JAMB FINGERJOINTED PINE
SCALE: 6" = 1'-0"



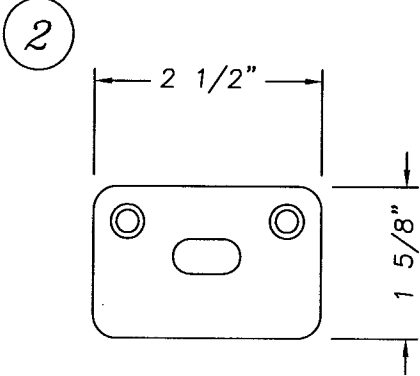
3 BUTT HINGE 4x4x12 GA.
SCALE: 6" = 1'-0"



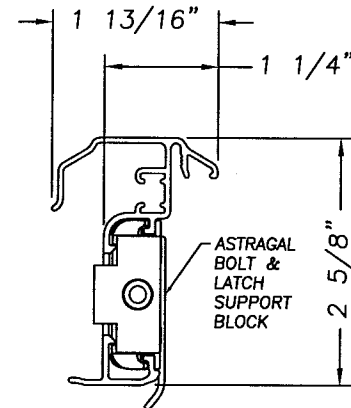
9 COMPRESSION WEATHERSTRIP
QDS-650 SCALE: 6" = 1'-0"



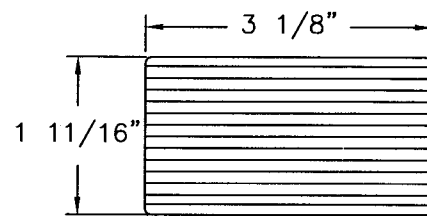
11 OUTSWING ALUMINUM THRESHOLD (ENDURA)
SCALE: 6" = 1'-0"
MATERIAL 6063-T6



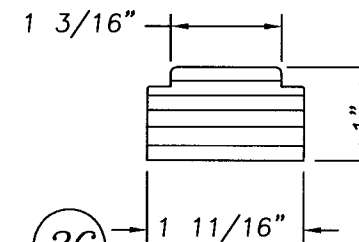
13 ASTRAGAL STRIKE PLATE
SCALE: 6" = 1'-0"



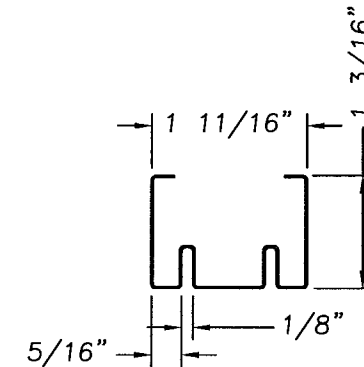
17 ENDURA ALUMINUM ASTRAGAL
SCALE: 6" = 1'-0"
MATERIAL 6063-T6



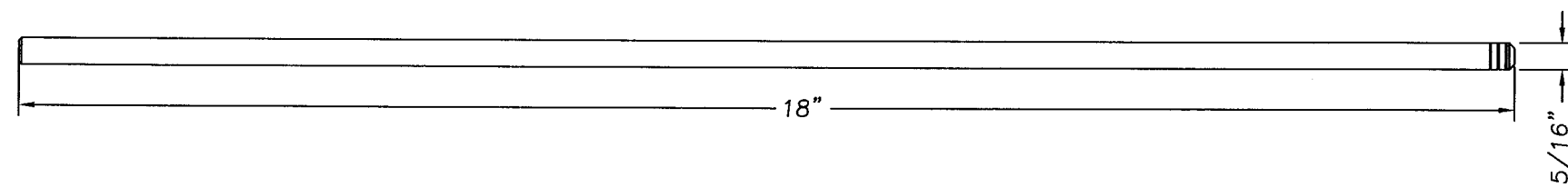
25 LOCK BLOCK LVL WOOD
SCALE: 6" = 1'-0"



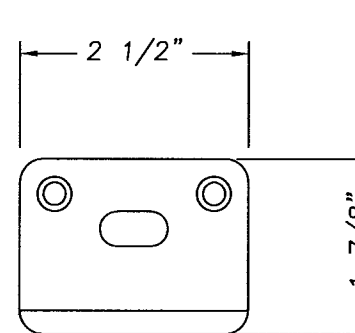
26 TOP RAIL (PINE)
HINGE STILE (LVL)
LATCH STILE (LVL)
SCALE: 6" = 1'-0"



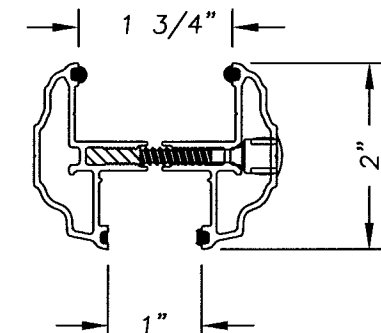
27 BOTTOM RAIL
STEEL 25GA MIN. GALV.
SCALE: 6" = 1'-0"



12 ASTRAGAL BOLT
MAT. - C/R STEEL ROD
ZINC & YELLOW CHROMATE
SCALE: 6" = 1'-0"

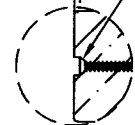


18 ASTRAGAL SILL
STRIKE PLATE
SCALE: 6" = 1'-0"



30 OD LIP-LITE FRAME
ALUMINUM 6063 T5
SCALE: 6" = 1'-0"

3/16" C-SINK. NOTE



- 1-USE #10 WOOD INSTALLATION SCREW W/ 1 1/2" MIN. EMBEDMENT WHEN INSTALLING INTO WOOD SUBSTRATE AT HEAD & JAMBS.
- 2-USE #8 x 2 1/2" PFH WOOD SCREW WHEN INSTALLING INTO MULLIONS.
- 3-USE 3/16" ITW TAPCON ANCHOR W/ 1 1/4" MIN. EMBED. WHEN INSTALLING INTO CONCRETE/MASONRY SUBSTRATE AT SIDELITE SILLS.

DETAIL G - COUNTERSINK DETAIL
SCALE: 1/4" = 1'-0"

PRODUCT REVISED
as complying with the Florida
Building Code
Acceptance No 08-0312.09
Expiration Date 05/25/2011
By *[Signature]*
Miami Dade Product Control
Division

NIMESH BHAVSAR
FLORIDA P.E. NO. 56861

OM ENGINEERING SERVICES, INC.
P.O. BOX 560098
ORLANDO, FL 32856
FBPE Certificate of Authorization No. 26637

DATE:	2/5/08
SCALE:	AS NOTED
DWG. BY:	EAG
CHK. BY:	S. SAFFELL
DRAWING NO.:	JW0509-03
SHEET	6 OF 6

PRODUCT: WOOD EDGE IMPACT GLAZED
STEEL DOOR 6-8 OUTSWING
SINGLE OR DOUBLE

PART OR ASSEMBLY:
UNIT COMPONENTS

NO.	DATE	BY	REVISIONS
C	2/5/08	EAG	ADD CONC. DWG.
B	4/8/06	DREW	GENERAL REVISION
A	12/17/04	DREW	GENERAL REVISION

JELD-WEN, INC.
3737 LAKEPORT BLVD.
KLAMATH FALLS, OR, 97601
PH. 541-882-3451