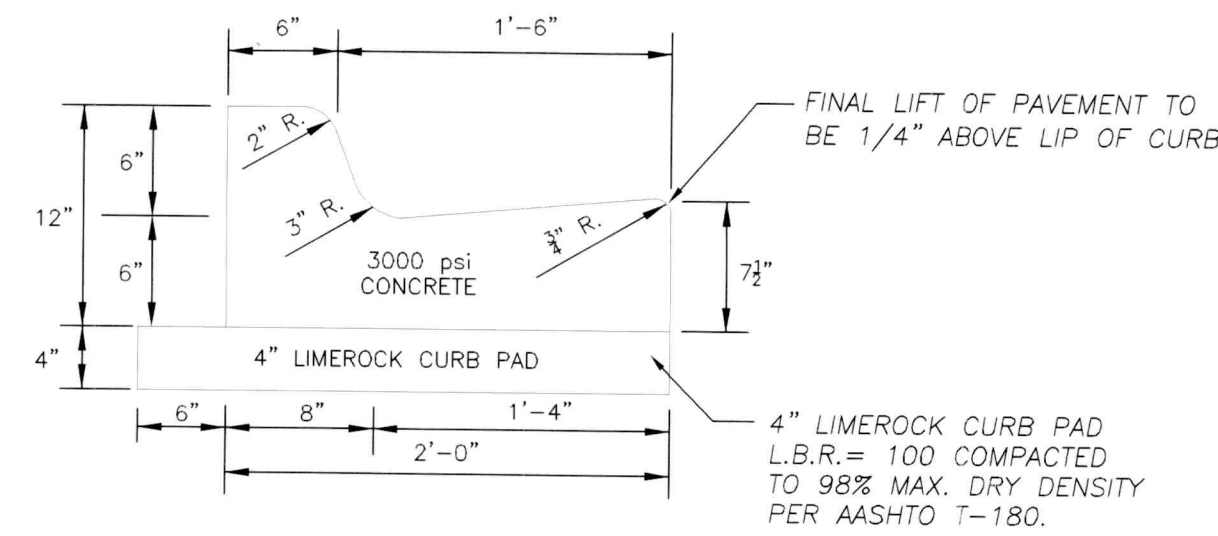


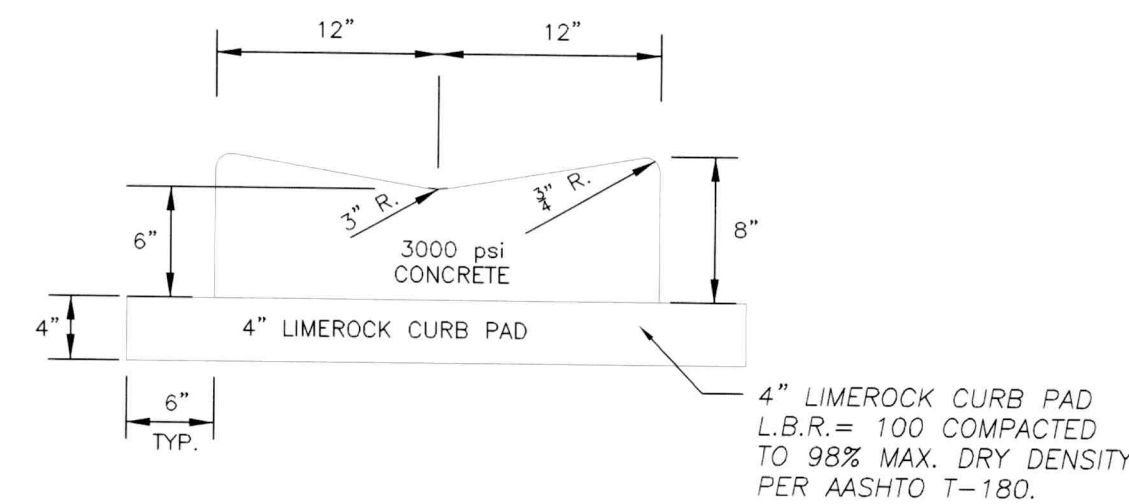
TYPE "D" CURB DETAIL
N.T.S.



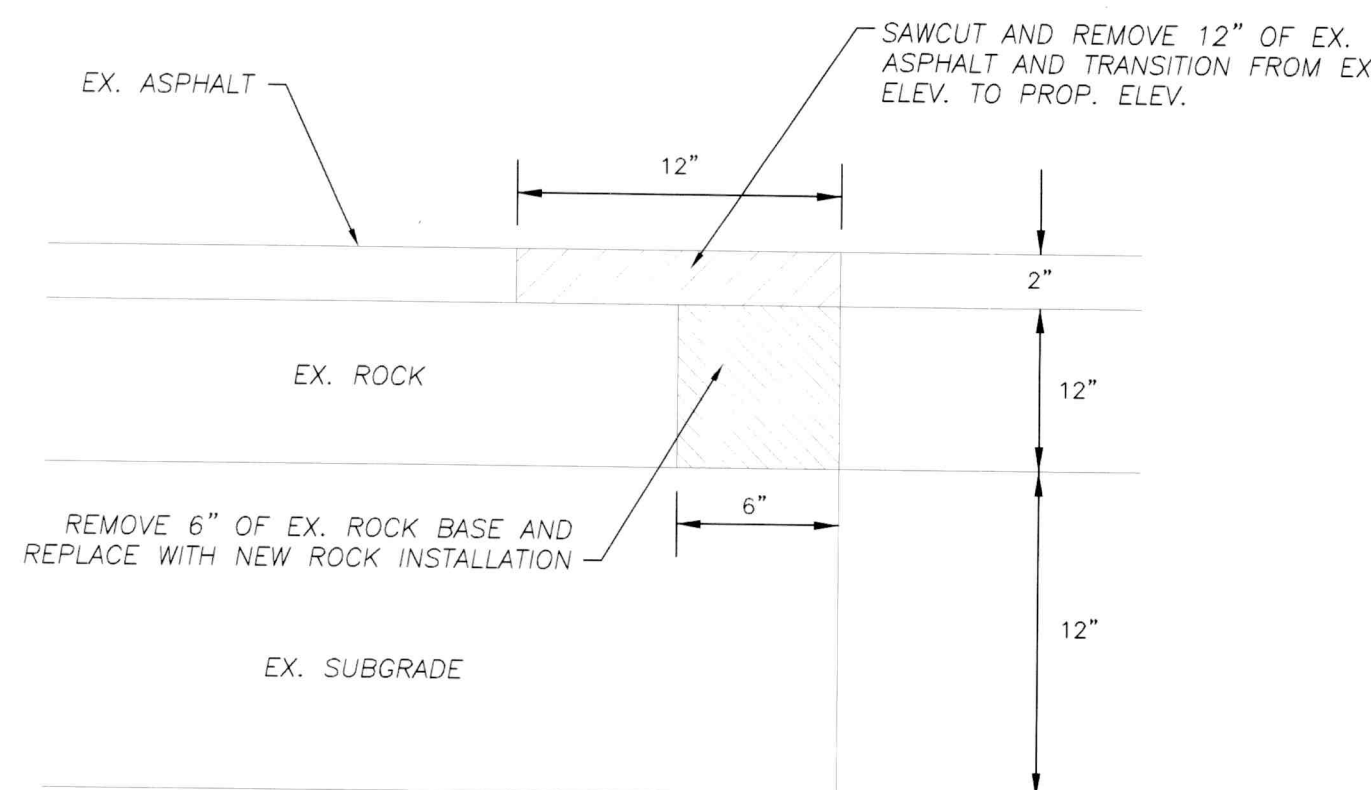
NOTES:
SAWCUT CURB AT 10' INTERVALS AND AT CENTER OF ISLAND BULLNOSE

WHEN USED ON HIGH SIDE OF ROADWAY, THE CROSS SLOPE OF THE GUTTER SHALL MATCH THE CROSS SLOPE OF THE ADJACENT PAVEMENT AND THE THICKNESS OF THE LIP SHALL BE 6", UNLESS OTHERWISE SHOWN ON PLANS.

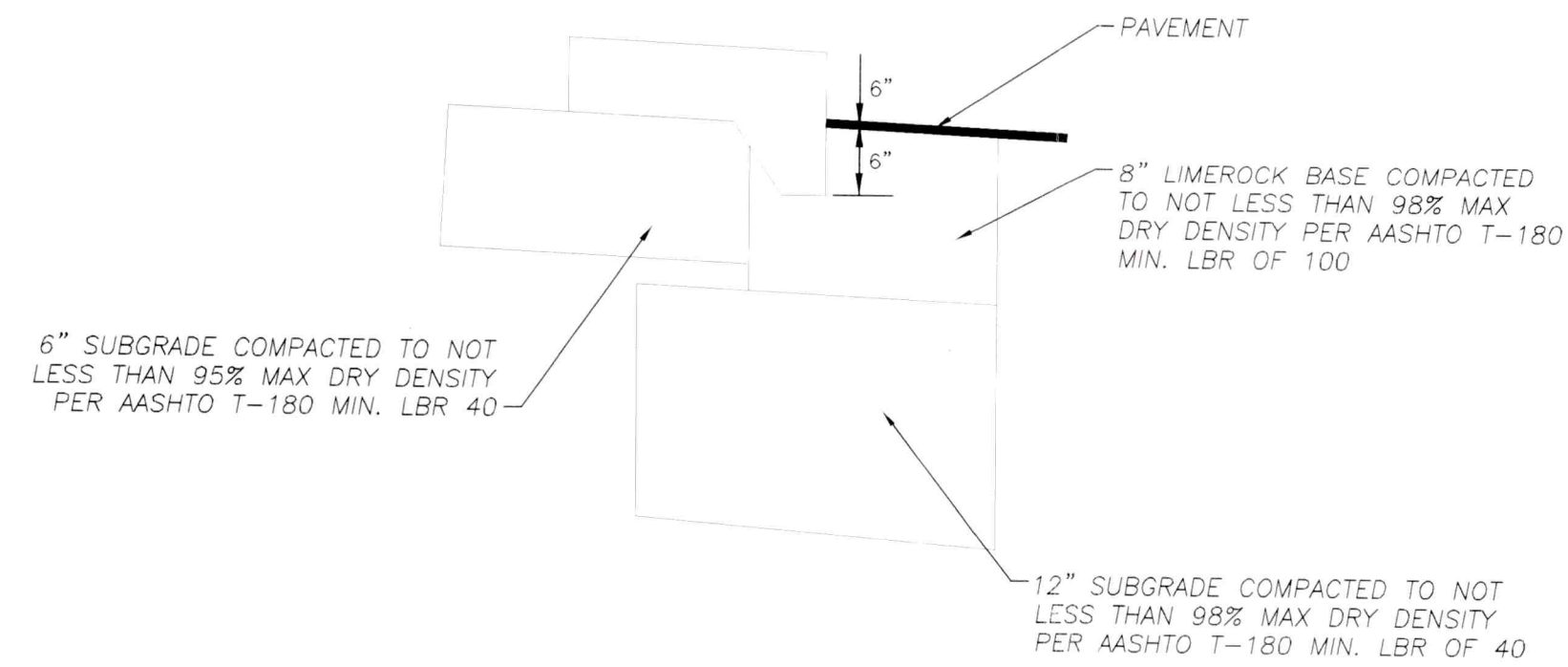
TYPE "F" CURB AND GUTTER DETAIL
N.T.S.



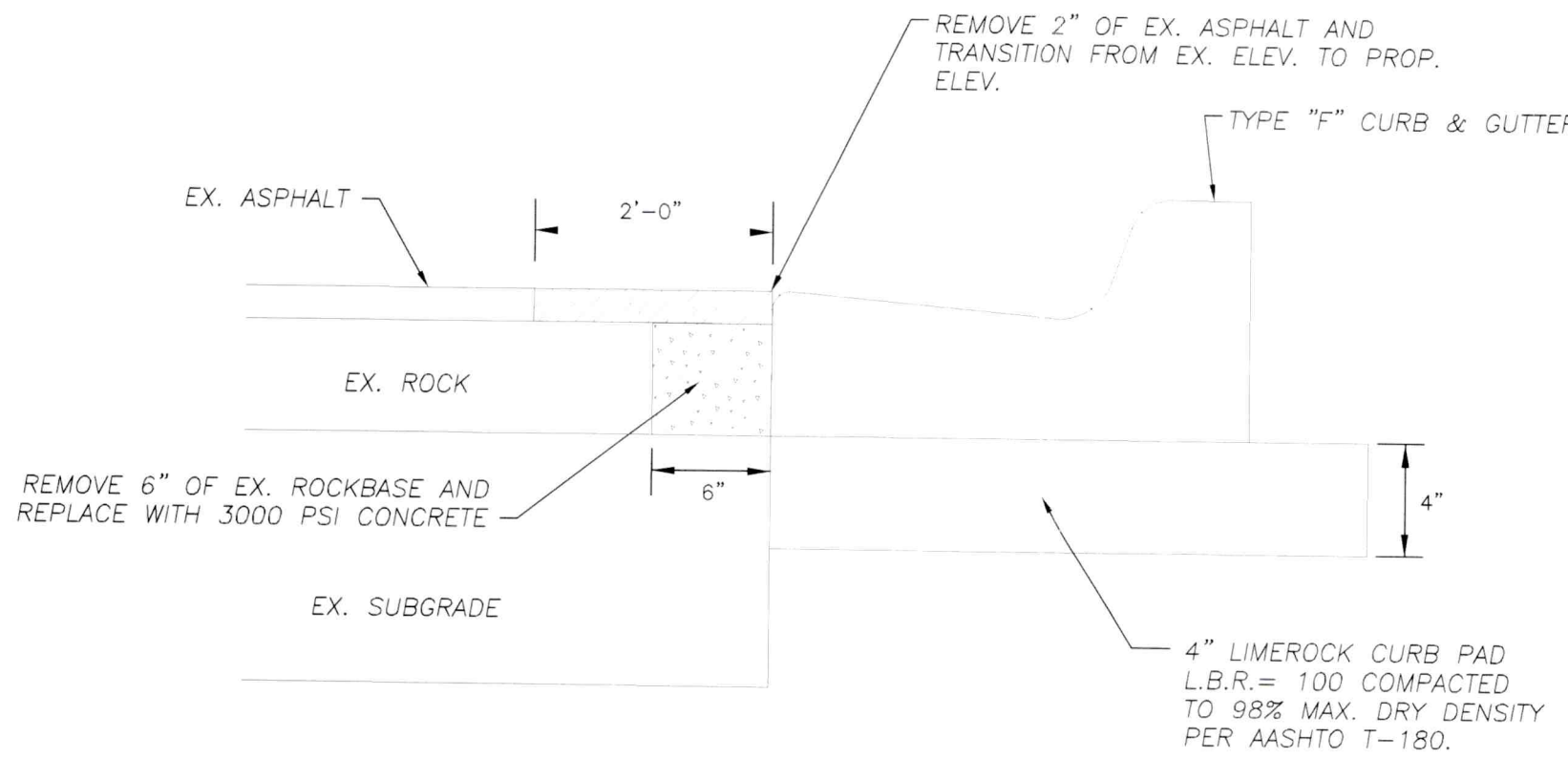
VALLEY GUTTER DETAIL
N.T.S.



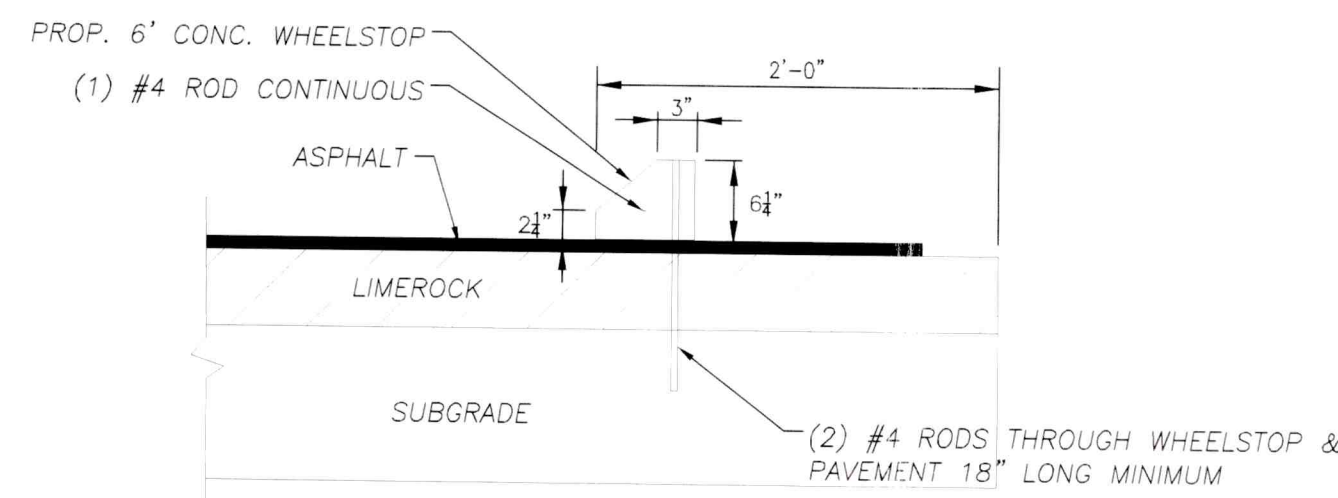
ASPHALT CONNECTION DETAIL
N.T.S.



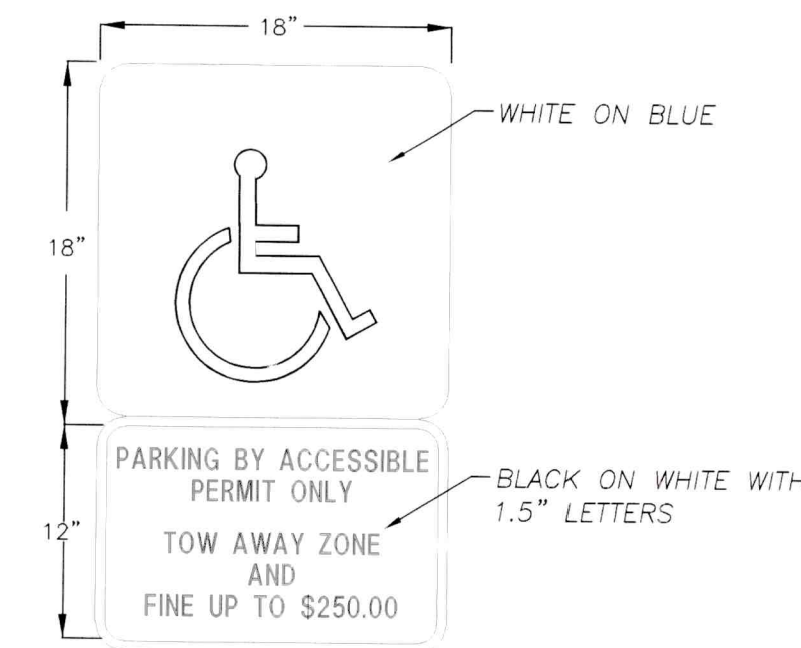
THICKENED EDGE SIDEWALK DETAIL
N.T.S.



TYPE "F" CURB & GUTTER CONNECTION DETAIL
N.T.S.

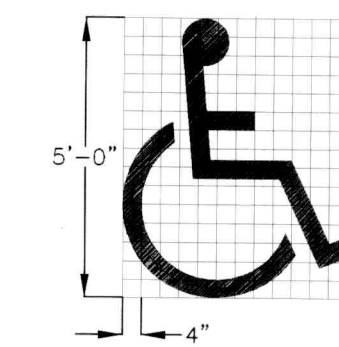


PRECAST CONCRETE WHEELSTOP
N.T.S.



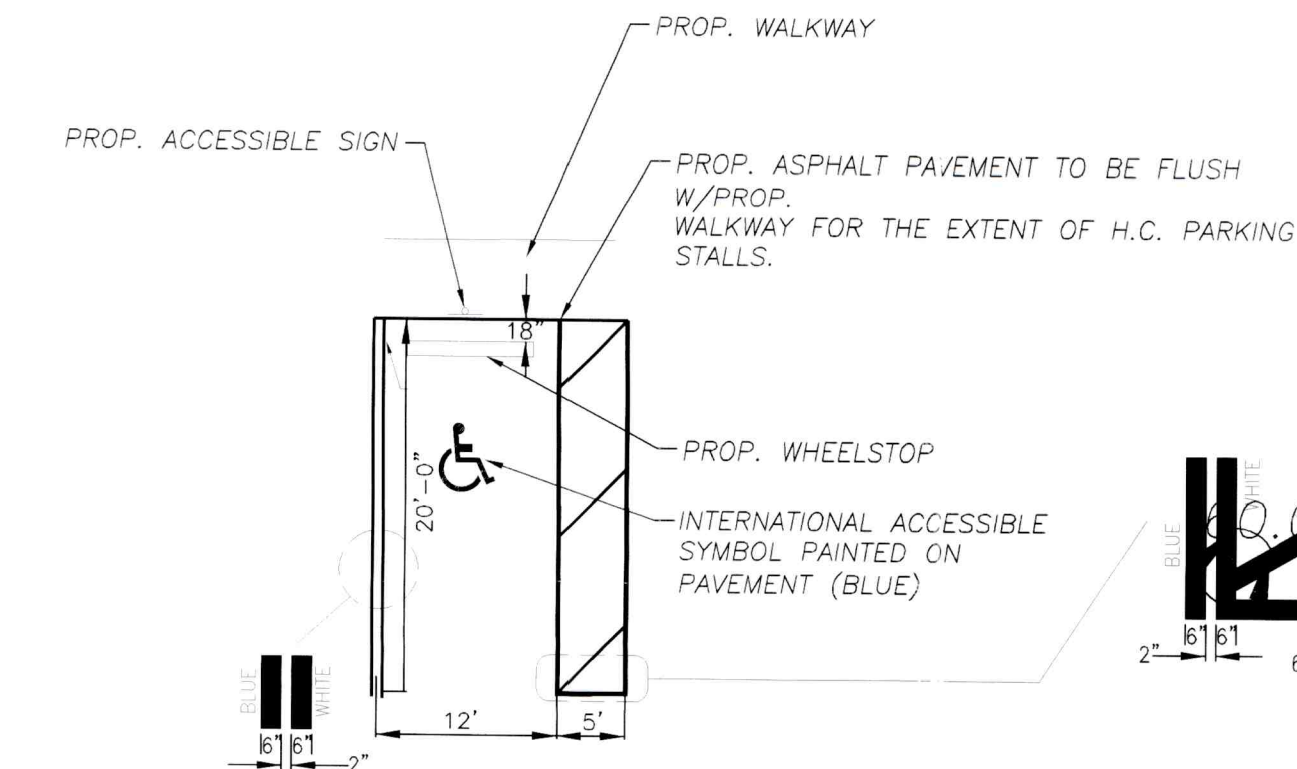
1. TOP PORTION OF SIGN SHALL HAVE A REFLECTIVE BLUE BACKGROUND WITH WHITE REFLECTIVE SYMBOL.
2. BOTTOM PORTION SHALL HAVE A REFLECTIVE WHITE BACKGROUND WITH BLACK OPAQUE LEGEND AND BORDER.
3. SIGN MAY BE FABRICATED ON ONE PANEL OR TWO.
4. SIGNS ARE TO BE MOUNTED AT A HEIGHT OF 7'-0" FROM PAVEMENT TO BOTTOM OF SIGN.

ACCESSIBLE PARKING SIGN
N.T.S.

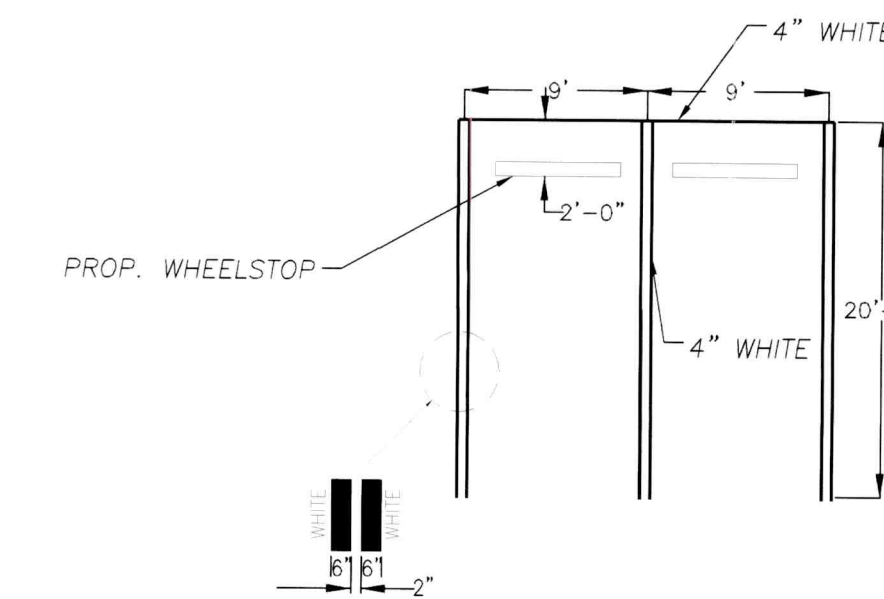


USE OF PAVEMENT SYMBOL IN ACCESSIBLE PARKING SPACES IS OPTIONAL, WHEN USED THE SYMBOL SHALL BE 3 FT OR 5' HIGH AND WHITE IN COLOR.

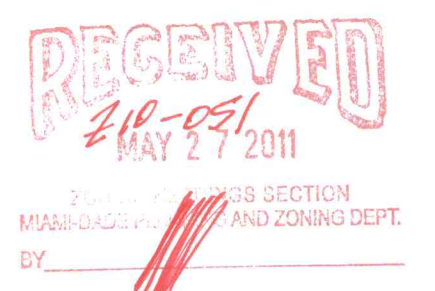
ACCESSIBLE PAVEMENT SYMBOL
N.T.S.



ACCESSIBLE PARKING
N.T.S.



STANDARD PARKING SPACE WITH WHEEL STOP
N.T.S.



NO.	DATE	BY	REVISION	NO.	DATE	BY	REVISION

Designed by: A.P.H. Date: 05/10
 Drawn by: A.P.H. Date: 05/10
 Checked by: A.P.H. Date: 05/10

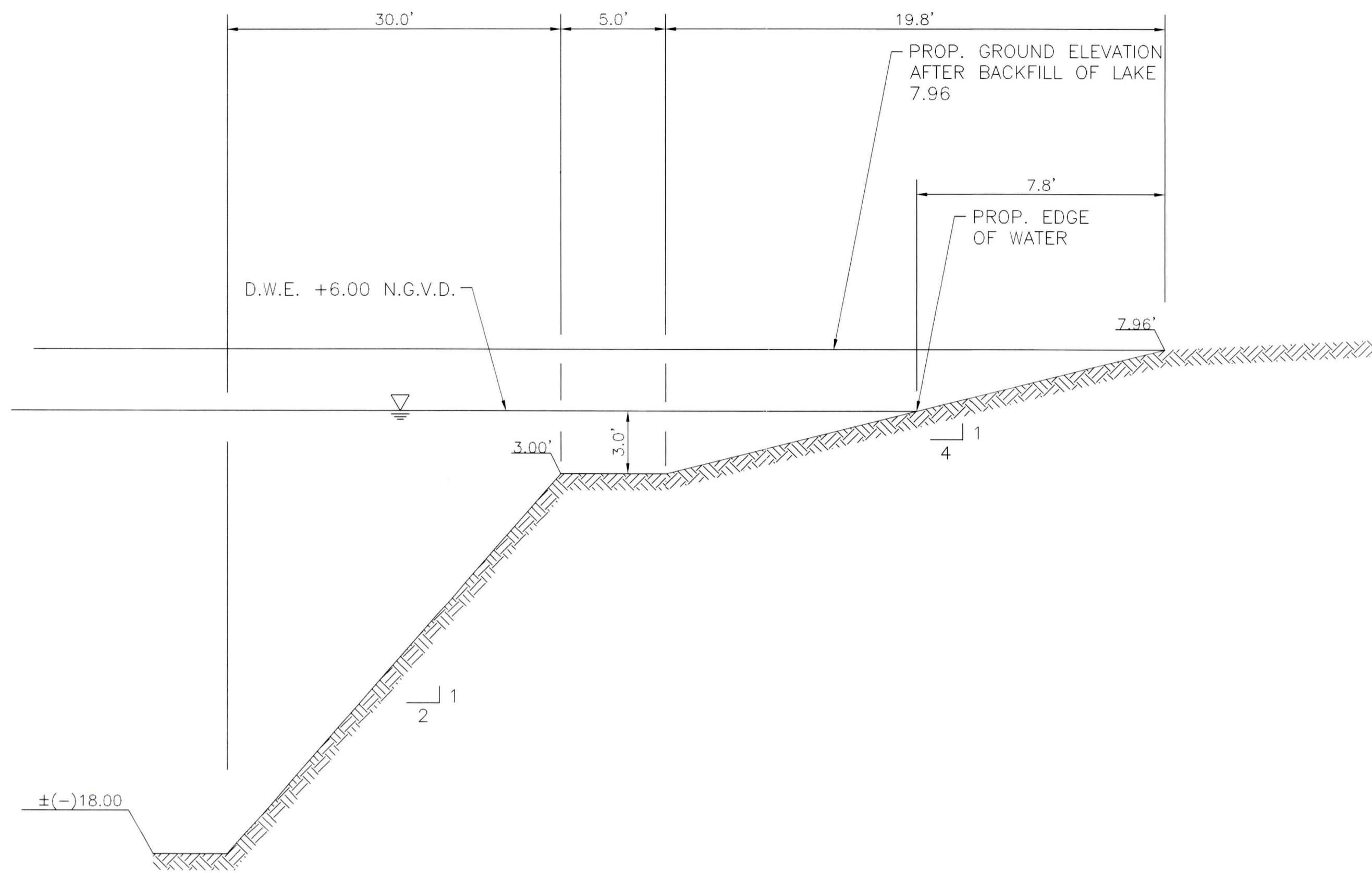


planning • engineering • transportation
 construction administration
 12855 SW 132 Street, Suite 206
 Miami, Florida 33186
 Phone: (305) 253-1970
 Fax: (305) 253-0897
 Authorization No. EB-26343

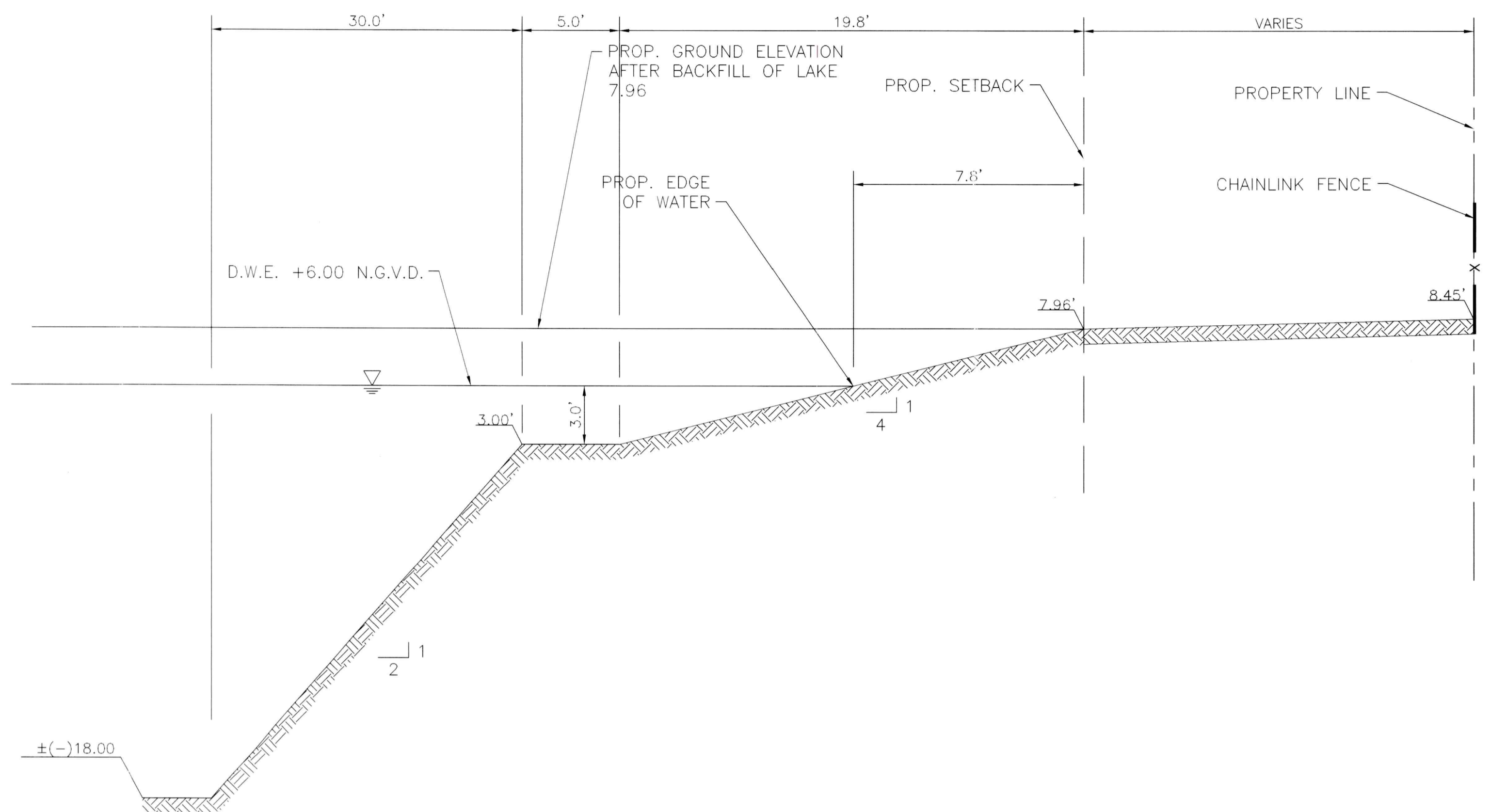
Engineer of Record: ALBERTO P. HERRERA
 Registered Engineer Number: 59357
 State of Florida

SITE PLAN
DETAILS
WEST KENDALL MEMORIAL PARK
 STORMY SKY, LLC

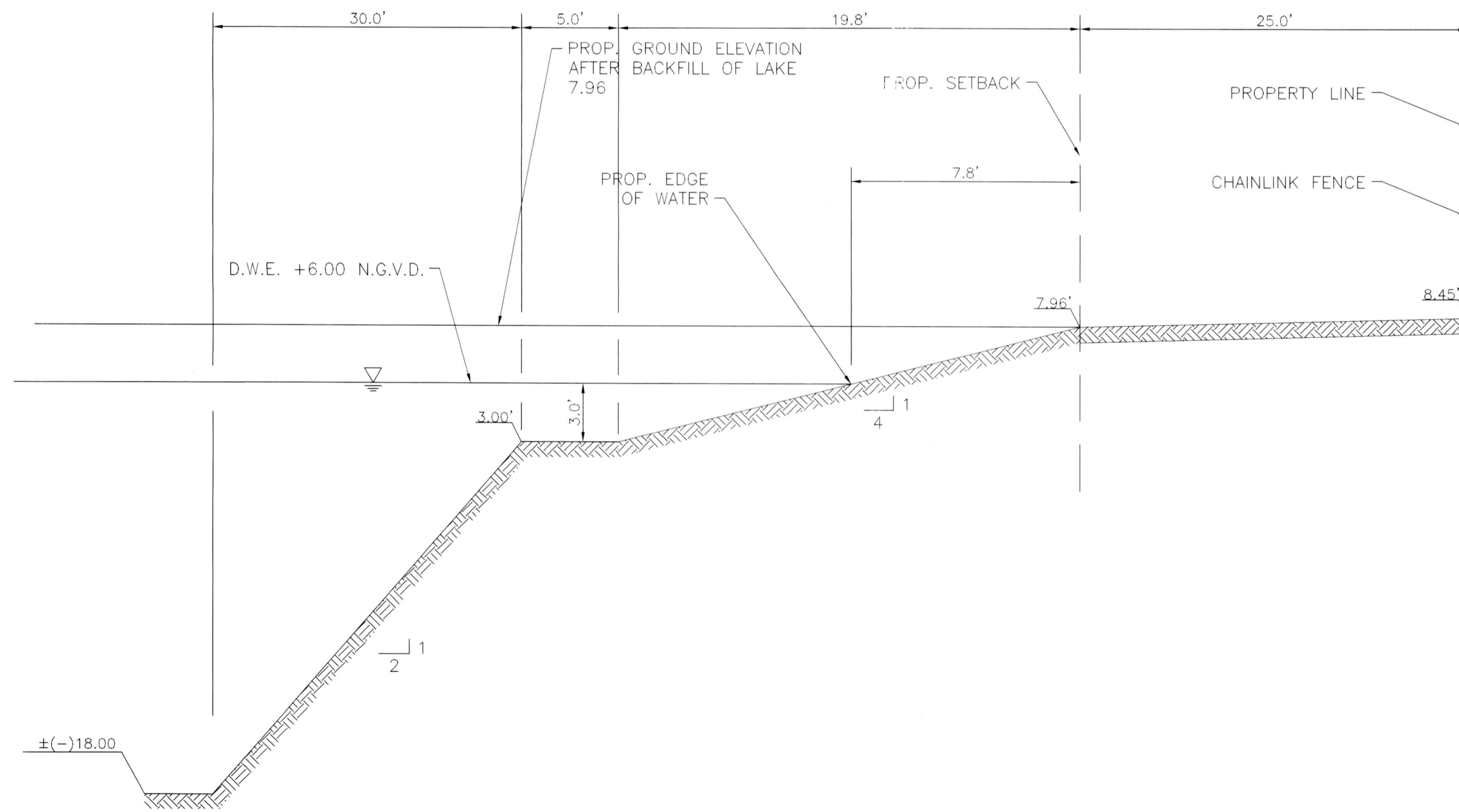
PROJECT NUMBER
201006
 SHEET NUMBER
SP11 OF 11



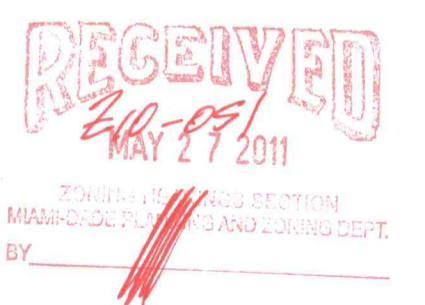
SECTION F-F
SCALE: N.T.S.



SECTION G-G
SCALE: N.T.S.



SECTION H-H
SCALE: N.T.S.



NO.	DATE	BY	REVISION	NO.	DATE	BY	REVISION
△	05/25/11	A.H.	REVISED PER MEETING COMMENTS				
△	01/19/11	A.H.	REVISED PER P&Z COMMENTS				

Designed by: A.P.H. Date: 05/10
 Drawn by: A.P.H. Date: 05/10
 Checked by: A.P.H. Date: 05/10



planning • engineering • transportation
 construction administration
 12855 SW 132 Street, Suite 206
 Miami, Florida 33186
 Phone: (305) 253-1970
 Fax: (305) 253-0897
 Authorization No. EB-26343

Engineer of Record: ALBERTO P. HERRERA
 Date: 5/26/11
 Registered Engineer Number: 59357
 State of Florida

SITE PLAN
 CONCEPTUAL SECTIONS
WEST KENDALL MEMORIAL PARK
 STORMY SKY, LLC

PROJECT NUMBER
 201006
 SHEET NUMBER
 SP10 OF 11