



DEPARTMENT OF REGULATORY AND ECONOMIC RESOURCES (RER)
BOARD AND CODE ADMINISTRATION DIVISION

MIAMI-DADE COUNTY
PRODUCT CONTROL SECTION
11805 SW 26 Street, Room 208
Miami, Florida 33175-2474
T (786) 315-2590 F (786) 315-2599

NOTICE OF ACCEPTANCE (NOA)

www.miamidade.gov/economy

Holcim Solutions and Products US, LLC
26 Century Blvd. Suite 205
Nashville, TN 37214

SCOPE:

This NOA is being issued under the applicable rules and regulations governing the use of construction materials. The documentation submitted has been reviewed and accepted by Miami-Dade County RER- Product Control Section to be used in Miami Dade County and other areas where allowed by the Authority Having Jurisdiction (AHJ).

This NOA shall not be valid after the expiration date stated below. The Miami-Dade County Product Control Section (In Miami Dade County) and/or the AHJ (in areas other than Miami Dade County) reserve the right to have this product or material tested for quality assurance purposes. If this product or material fails to perform in the accepted manner, the manufacturer will incur the expense of such testing and the AHJ may immediately revoke, modify, or suspend the use of such product or material within their jurisdiction. RER reserves the right to revoke this acceptance if it is determined by Miami-Dade County Product Control Section that this product or material fails to meet the requirements of the applicable building code.

This product is approved as described herein and has been designed to comply with the High Velocity Hurricane Zone of the Florida Building Code.

DESCRIPTION: (UC – 6) Structural Standing Seam Roof Panel System

APPROVAL DOCUMENT: Drawing No. UC-6, titled “ UC-6 Structural Standing Seam System ”, sheets 1 through 6 of 6, prepared by Johnathan Green, P.E., dated April 25, 2023, signed and sealed by Johnathan Green, P.E on April 25, 2023, bearing the Miami-Dade County Product Control Revision stamp with the Notice of Acceptance number and the expiration date by the Miami-Dade County Product Control Section.

MISSILE IMPACT RATING: Large and Small Missile Impact Resistant

LABELING: Each panel shall bear a permanent label with the manufacturer's name or logo, Collage Park, GA; Anoka, MN; Las Vegas, NV; Warren, MI, and the statement: "Miami-Dade County Product Control Approved", unless otherwise noted herein.

RENEWAL of this NOA shall be considered after a renewal application has been filed and there has been no change in the applicable building code negatively affecting the performance of this product.

TERMINATION of this NOA will occur after the expiration date or if there has been a revision or change in the materials, use, and/or manufacture of the product or process. Misuse of this NOA as an endorsement of any product, for sales, advertising or any other purposes shall automatically terminate this NOA. Failure to comply with any section of this NOA shall be cause for termination and removal of NOA.

ADVERTISEMENT: The NOA number preceded by the words Miami-Dade County, Florida, and followed by the expiration date may be displayed in advertising literature. If any portion of the NOA is displayed, then it shall be done in its entirety.

INSPECTION: A copy of this entire NOA shall be provided to the user by the manufacturer or its distributors and shall be available for inspection at the job site at the request of the Building Official.

This NOA revises NOA #23-0112.01 and consists of this page 1, evidence submitted pages E-1, E-2, E-3 & E-4 as well as the approved document mentioned above.

The submitted documentation was reviewed by **Helmy A. Makar, P.E., M.S.**



Helmy A. Makar
05/30/24

NOA No. 23-0613.05
Expiration Date: 02/06/2028
Approval Date: 05/30/2024

Holcim Solutions and Products US, LLC

NOTICE OF ACCEPTANCE: EVIDENCE SUBMITTED

1. EVIDENCE SUBMITTED UNDER PREVIOUS APPROVAL # 01-0509.12

A. DRAWINGS

1. *Drawing No. UC-6, titled "Copper Sales, Inc. UC-6 Structural Standing Seam System", sheets 1 through 6 of 6, prepared by Terrence E. Wolfe, P.E., dated January 07, 2003, signed and sealed by Terrence E. Wolfe, P.E.*

B. TESTS


1. *Test report on Accelerated Weathering Testing of Coating 2000 hours per ASTM G26-96, prepared by Asphalt Technologies, dated October 8, 2002, signed and sealed by Charles L. Thomas, P.E.*
2. *Test report on Salt Spray Testing of Coating 1000 hours per ASTM B117-95, prepared by Asphalt Technologies, dated October 8, 2002, signed and sealed by Charles L. Thomas, P.E.*
3. *Test report on Uplift Resistance Test per UL-580 Class 90, on 22 ga. (0.032") Standing Seam Roof Panel, prepared by Architectural Testing Report No. 01-38064.01, dated January 09, 2001, signed and sealed by Allen Reeves, P.E.*
4. *Susceptibility to leakage test in accordance with Miami-Dade County Protocol PA 114 Appendix G on 22 ga. (0.032") Standing Seam Roof Panel, prepared by Farabaugh Engineering and Testing, Inc. Report No. T200-00, dated September 27, 2000, signed and sealed by Daniel G. Farabaugh, P.E.*
5. *Wind Driven Rain Test in accordance with Miami-Dade County Protocol PA 100-95 on 22 ga. (0.032") Standing Seam Roof Panel, prepared by Architectural Testing Report No. 01-38064.01, dated January 09, 2001, signed and sealed by Allen Reeves, P.E.*

C. CALCULATIONS

1. *Calculations titled "UC-6 Structural Standing Seam Roof Panel", dated October 25, 2002, pages 1 through 11, prepared by Thomas M. Shingler, P.E., signed and sealed by Thomas M. Shingler, P.E.*

D. MATERIAL CERTIFICATIONS

1. *Mill Certified Test Report issued by Pacesetter Steel Service, Inc., dated 03/16/02, with chemical composition and mechanical properties of 22 ga. Coated G90 Commercial Steel.*
2. *Tensile Test Report No. 01-38064.03, prepared by Architectural Testing, dated January 18, 2001, signed and sealed by Allen Reeves, P.E.*



Helmy A. Makar, P.E., M.S.
Product Control Section Supervisor
NOA No. 23-0613.05
Expiration Date: 02/06/2028
Approval Date: 05/30/2024

Holcim Solutions and Products US, LLC

NOTICE OF ACCEPTANCE: EVIDENCE SUBMITTED

2. EVIDENCE SUBMITTED UNDER PREVIOUS APPROVAL # 06-0821.07

A. DRAWINGS

1. *Drawing No. UC-6, titled "UC-6 Structural Standing Seam System", sheets 1 through 6 of 6, prepared by Terrence E. Wolfe, P.E., dated January 07, 2003, signed and sealed by Terrence E. Wolfe, P.E on January 24, 2007.*

B. TESTS

1. *None.*

C. CALCULATIONS

1. *None.*

D. QUALITY ASSURANCE

1. *By Miami-Dade County Building Code Compliance Office.*

E. MATERIAL CERTIFICATIONS

1. *None.*

3. EVIDENCE SUBMITTED UNDER PREVIOUS APPROVAL #07-0822.02

A. DRAWINGS

1. *None.*

B. TESTS

1. *None.*

C. CALCULATIONS

1. *None.*

D. QUALITY ASSURANCE

1. *By Miami-Dade County Building Code Compliance Office.*

E. MATERIAL CERTIFICATIONS

1. *None.*

4. EVIDENCE SUBMITTED UNDER PREVIOUS APPROVAL #10-1214.04

A. DRAWINGS

1. *Drawing No. UC-6, titled "UC-6 Structural Standing Seam System", sheets 1 through 6 of 6, prepared by Terrence E. Wolfe, P.E., dated April 24, 2013, signed and sealed by Terrence E. Wolfe, P.E on April 25, 2013.*



Helmy A. Makar, P.E., M.S.
Product Control Section Supervisor
NOA No. 23-0613.05
Expiration Date: 02/06/2028
Approval Date: 05/30/2024

Holcim Solutions and Products US, LLC

NOTICE OF ACCEPTANCE: EVIDENCE SUBMITTED

B. TESTS

1. *Test report on Uplift Resistance Test per UL-580 Class 90, on 22 ga. (0.032") Standing Seam Roof Panel, prepared by HTL Report No. 0227-0503-10, dated August 02, 2010, signed and sealed by Vinu j. Abraham, P.E.*

C. CALCULATIONS

1. *None.*

D. QUALITY ASSURANCE

1. *By Miami-Dade County Department of Regulatory and Economic Resources (RER).*

E. MATERIAL CERTIFICATIONS

1. *None.*

5. EVIDENCE SUBMITTED UNDER PREVIOUS APPROVAL #17-1030.01

A. DRAWINGS

1. *Drawing No. UC-6, titled "UC-6 Structural Standing Seam System", sheets 1 through 6 of 6, prepared by Terrence E. Wolfe, P.E., dated January 08, 2018, signed and sealed by Terrence E. Wolfe, P.E on January 17, 2018.*

B. TESTS

1. *Test report in accordance with TAS 125-03 per ASTM 1592-01, on 22 ga. (0.032") Standing Seam Roof Panel, prepared by Force Engineering & Testing, Inc., Report No. 56-01771-17A-C, dated 10/26/17, signed and sealed by Brandon Jasek, P.E.*

C. CALCULATIONS

1. *Calculations titled "UC-6 Structural Standing Seam Roof Panel", dated 11/09/17, 54 pages, prepared by Force Engineering & Testing, Inc., signed and sealed by Terrence E. Wolfe, P.E on November 09, 2017.*

D. QUALITY ASSURANCE

1. *By Miami-Dade County Department of Regulatory and Economic Resources (RER).*

E. MATERIAL CERTIFICATIONS

1. *None.*

F. STATEMENTS

1. *FBC, 2017 Edition Compliance Letter prepared by Force Engineering & Testing, Inc., signed and sealed by Terrence E. Wolfe, P.E on November 09, 2017.*



Helmy A. Makar, P.E., M.S.
Product Control Section Supervisor
NOA No. 23-0613.05
Expiration Date: 02/06/2028
Approval Date: 05/30/2024

Holcim Solutions and Products US, LLC

NOTICE OF ACCEPTANCE: EVIDENCE SUBMITTED

6. EVIDENCE SUBMITTED UNDER PREVIOUS APPROVAL #23-0112.01

A. DRAWINGS

1. *Drawing No. UC-6, titled "UC-6 Structural Standing Seam System", sheets 1 through 6 of 6, prepared by Johnathan Green, P.E., dated January 24, 2023, signed and sealed by Johnathan Green, P.E on January 24, 2023.*

B. TESTS

1. *None.*

C. CALCULATIONS

1. *None.*

D. QUALITY ASSURANCE

1. *By Miami-Dade County Department of Regulatory and Economic Resources (RER).*

E. MATERIAL CERTIFICATIONS

1. *None.*

F. STATEMENTS

1. *FBC, 2020 Edition Compliance Letter prepared by Force Engineering & Testing, Inc., signed and sealed by Johnathan Green, P.E on January 24, 2023.*

7. NEW EVIDENCE SUBMITTED

A. DRAWINGS

1. *Drawing No. UC-6, titled " UC-6 Structural Standing Seam System ", sheets 1 through 6 of 6, prepared by Johnathan Green, P.E., dated April 25, 2023, signed and sealed by Johnathan Green, P.E on April 25, 2023.*

B. TESTS

1. *None.*

C. CALCULATIONS

1. *None.*

D. QUALITY ASSURANCE

1. *By Miami-Dade County Department of Regulatory and Economic Resources (RER).*

E. MATERIAL CERTIFICATIONS

1. *None.*

F. STATEMENTS

1. *FBC, 2023 Edition Compliance Letter prepared by Force Engineering & Testing, Inc., signed and sealed by Johnathan Green, P.E on 02/12/24.*

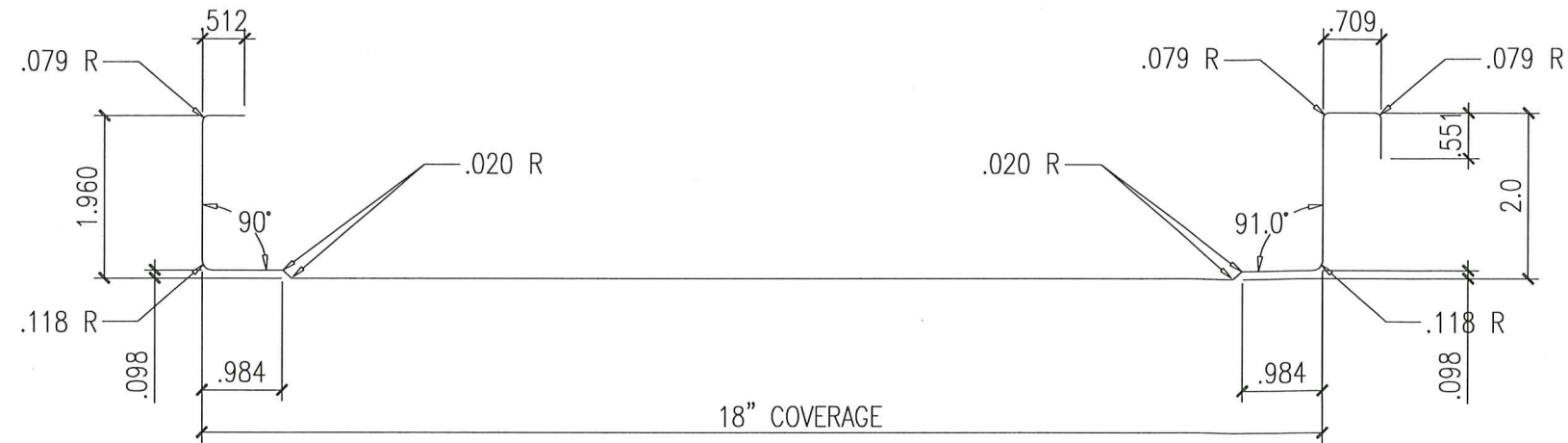


Helmy A. Makar, P.E., M.S.
Product Control Section Supervisor

NOA No. 23-0613.05

Expiration Date: 02/06/2028

Approval Date: 05/30/2024



UC-6 CROSS SECTION

NOTES:

- ROOF PANEL: UC-6 22GA. STEEL, 18" MAX COVERAGE, 2" TALL STANDING SEAM RIB MECHANICALLY SEALED TO DOUBLE LOCK 180 DEGREE SEAM.
- THE MAXIMUM UPLIFT PRESSURE SHALL BE CALCULATED USING THE FOLLOWING ALLOWABLES.
 - MAXIMUM ALLOWABLE BENDING MOMENT OF THE PANEL AT SUPPORTS = 153.3 FT-LBS.
 - MAXIMUM ALLOWABLE BENDING MOMENT OF THE PANEL BETWEEN SUPPORTS = 110.5 FT-LBS.
 - EI VALUE OF PANEL = 1,205,686 LB-IN²
 - MAXIMUM ALLOWABLE DEFLECTION OR ROOF PANEL = L/180
 - MAXIMUM PANEL INTERIOR SUPPORT REACTION = 327.2 LBS.
 - MAXIMUM PANEL EXTERIOR SUPPORT REACTION = 112.5 LBS.

3. MAXIMUM ALLOWABLE PANEL SPAN = 5'-0".

4. MAXIMUM ALLOWABLE SPANS AND PRESSURES:

SPAN	PANEL CLIP	UPLIFT PRESSURE:
5'-0"	UC-6	57.3 PSF
4'-0"	UC-6	71.6 PSF
3'-0"	UC-6	95.4 PSF
2'-6"	UC-6	114.5 PSF
2'-0"	UC-6	143.1 PSF
1'-0"	UC-6	171.7 PSF

5. PANEL END LAPS ARE NOT PERMITTED.

PANEL PROPERTIES

PANEL THICKNESS	YIELD STRENGTH	TENSILE STRENGTH	ELONGATION	STEEL COATING	PAINT COATINGS
22 GA. .032' MIN. COATED	50 KSI	60	20	AZ 55	PVF2

PANEL ACCESSORIES

DYNAMIC FASTENERS
9911 E. 53RD. STREET
RAYTOWN (K.C.) MO 64133



1/4-14 X 7/8" LONG HWH T-1 SCOTS SELF DRILLER W/BONDED NEOP. WASHER W/LOGLIFE COATING AND STAINLESS CAP



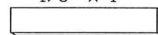
1/4-14 X 1 1/4" LONG HWH T-3 SELF DRILLER W/BONDED NEOP. WASHER W/LOGLIFE COATING



12 X 1 1/4" LONG PANCAKE HEAD SELF DRILLER MINIMUM 8u ZINC COATING

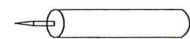


1/8" X 1"

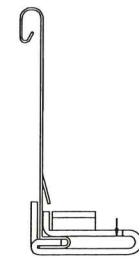


1/8" X 1" BUTYL TAPE #TC95-35 ISOBUTYLENE TRIPOLYMER TAPE

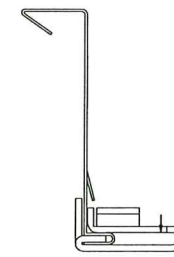
ONE-PART, MOISTURE CURING, POLYURETHANE SEALANT



POLYURETHANE SEALANT



CLOSED CLIP



OPEN CLIP

UC-6 CLIPS

PRODUCT REVISED
as complying with the Florida
Building Code
Acceptance No 23-0613.05
Expiration Date 02/06/2028
By *Helga Miller*
Miami Date Product Control

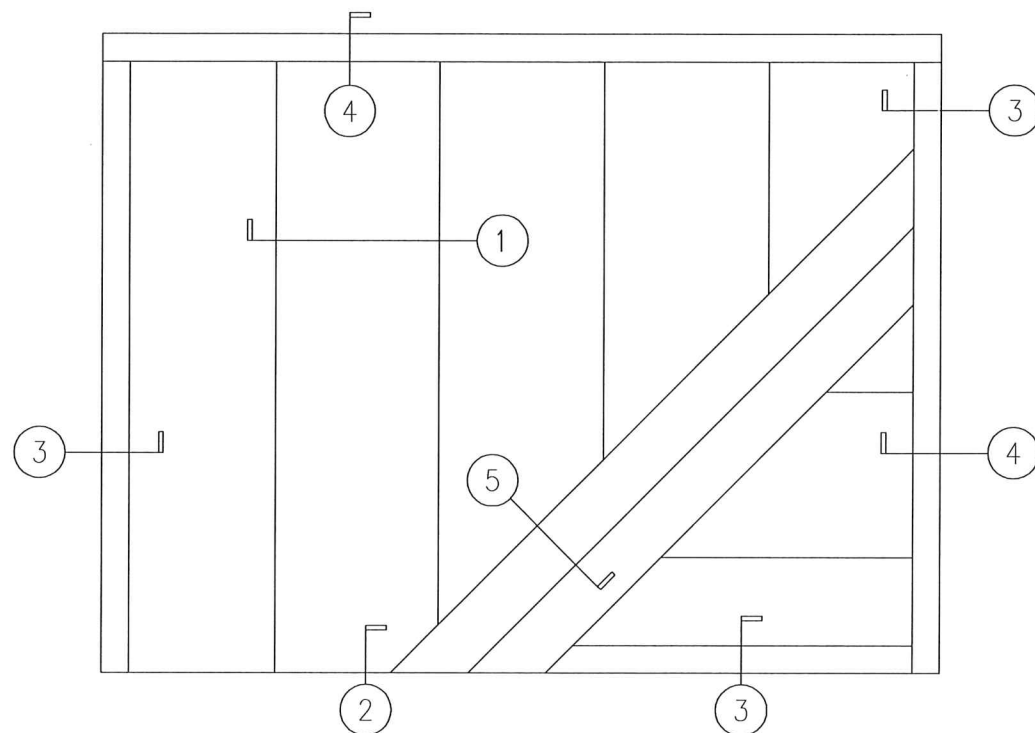
APR 25 2023

JOHNATHAN GREEN
LICENSE
No. 88223
STATE OF
FLORIDA
PROFESSIONAL ENGINEER

THIS DOCUMENT HAS BEEN DIGITALLY SIGNED AND SEALED BY JOHNATHAN GREEN ON THE DATE ADJACENT TO THE SEAL.

PRINTED COPIES OF THIS DOCUMENT ARE NOT CONSIDERED SIGNED AND SEALED AND THE SIGNATURE MUST BE VERIFIED ON ANY ELECTRONIC COPIES.

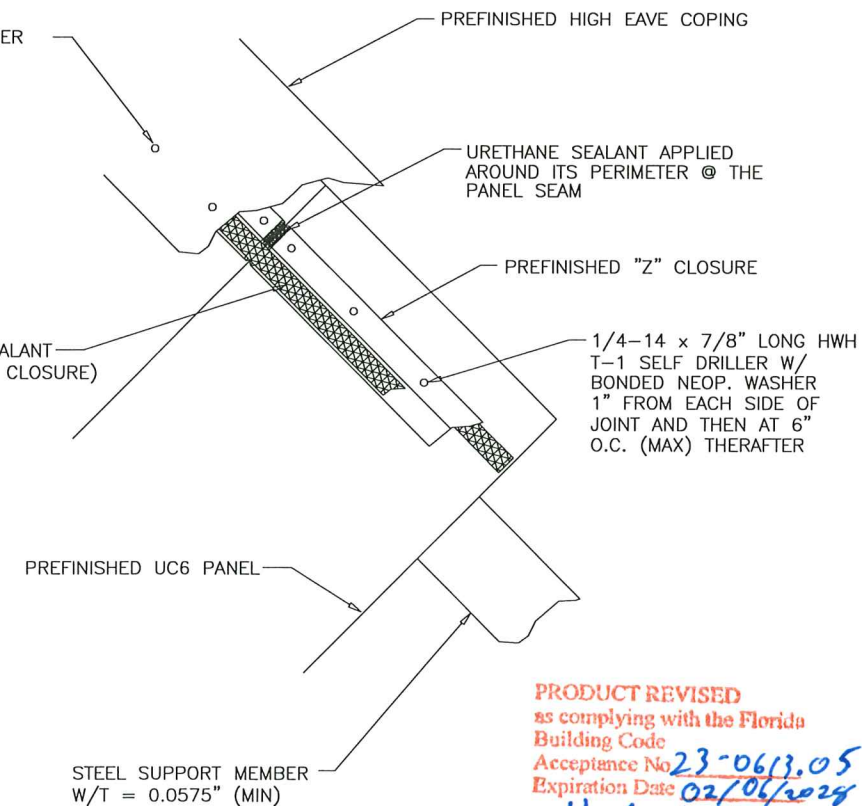
MANUFACTURING ENGINEER	JOHNATHAN GREEN, P.E.	DISCIPLINE : CIVIL
FLORIDA REGISTRATION NO.	88223	
UC-6 STRUCTURAL STANDING SEAM SYSTEM		
Holcim Solutions and Products 26 Century Blvd, Suite 205 Nashville, TN 37214		
PROJECT	DADE COUNTY PRODUCT APPROVAL	
SHEET TITLE	UC-6 DETAILS	
LOCATION	DADE COUNTY, FLORIDA	
REL	BY	DESCRIPTION
DATE		
DRAWN BY:	JG	REVISION DATE:
CHECKED BY:		04/25/23
SCALE:		NTS
PROJECT NUMBER	56-0065-23	DRAWING NUMBER
		UC-6
		SHEET NUMBER
		1



UC-6 WIND DRIVEN RAIN TEST PLAIN

1/4-14 x 7/8" LONG HWH T-1 SELF DRILLER W/BONDED NEOP. WASHER 6" O.C. (MAX)

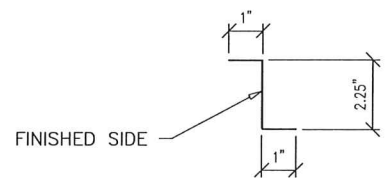
1/8"x1" BUTYL TAPE SEALANT (TOP & BOTTOM OF "Z" CLOSURE)



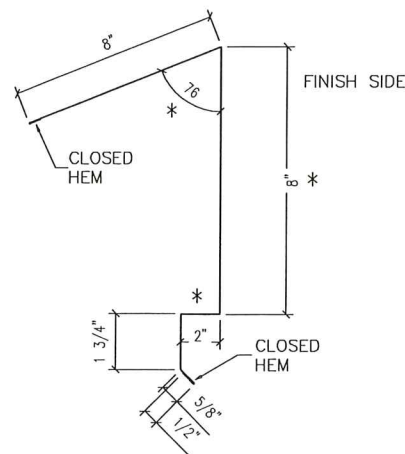
PLAIN VIEW AT HIGH EAVE

PRODUCT REVISED as complying with the Florida Building Code Acceptance No. 23-0613.05 Expiration Date 02/06/2024 By *Heather A. Walker* Miami Dade Product Control

PREFINISHED "Z" CLOSURE (t=.026" MIN.COATED)



PREFINISHED TOP COPING (t=.026" MIN. COATED)



1/4-14 x 7/8" LONG HWH T-1 SELF DRILLER W/BONDED NEOP. WASHER 6" O.C. (MAX)

1/8"x1" BUTYL TAPE SEALANT (TOP & BOTTOM OF "Z" CLOSURE)

PREFINISHED UC6 PANEL

UC6 PANEL CLIP & BASE

1/4-14 x 1 1/4" LONG HWH T-3 SELF DRILLER W/BONDED NEOP. WASHER (2 PER CLIP)

STEEL SUPPORT MEMBER W/T = 0.0575" (MIN)

PREFINISHED "Z" CLOSURE WITH URETHANE SEALANT APPLIED AROUND ITS PERIMETER @ THE PANEL SEAM

PREFINISHED HIGH EAVE COPING

1/4-14 x 7/8" LONG HWH T-1 SELF DRILLER W/BONDED NEOP. WASHER 1" FROM EACH SIDE OF JOINT AND THEN AT 6" O.C. (MAX) THEREAFTER

1/4-14 x 7/8" LONG HWH T-1 SELF DRILLER W/BONDED NEOP. WASHER 6" O.C. (MAX)

CONTINUOUS URETHANE SEALANT APPLIED TO BOTTOM OF FLASHING

SECTION THRU HIGH EAVE SECTION (4)

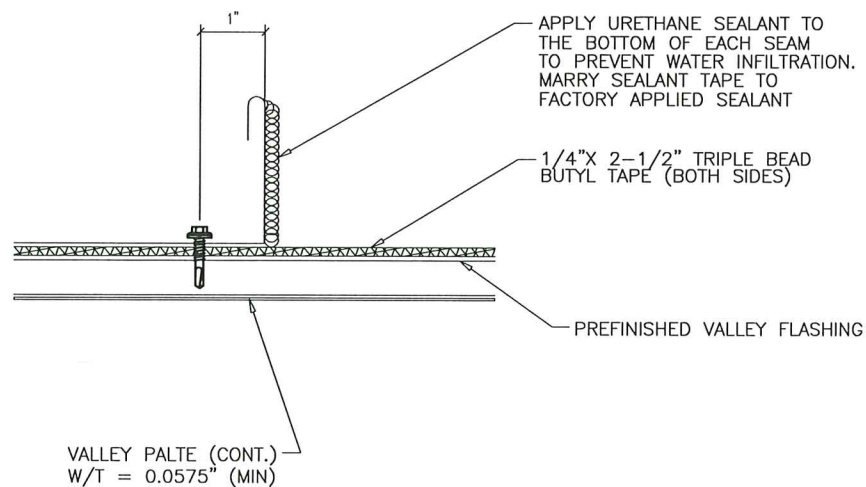
* ASTERICK ITEMS ARE ADJUSTED TO FIELD SPECIFIC CONDITIONS.

APR 25 2023

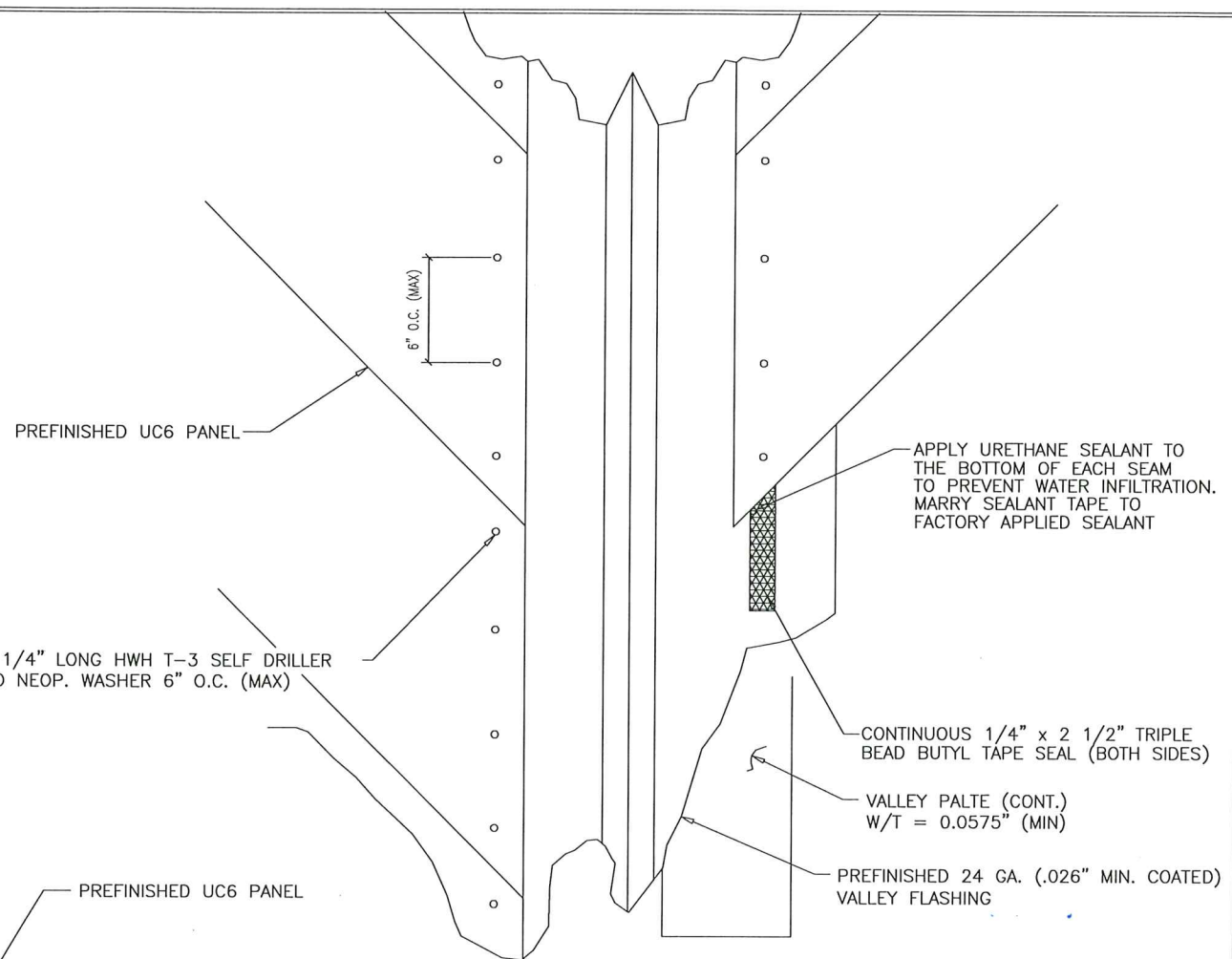
THIS DOCUMENT HAS BEEN DIGITALLY SIGNED AND SEALED BY JOHNATHAN GREEN ON THE DATE ADJACENT TO THE SEAL.

PRINTED COPIES OF THIS DOCUMENT ARE NOT CONSIDERED SIGNED AND SEALED AND THE SIGNATURE MUST BE VERIFIED ON ANY ELECTRONIC COPIES.

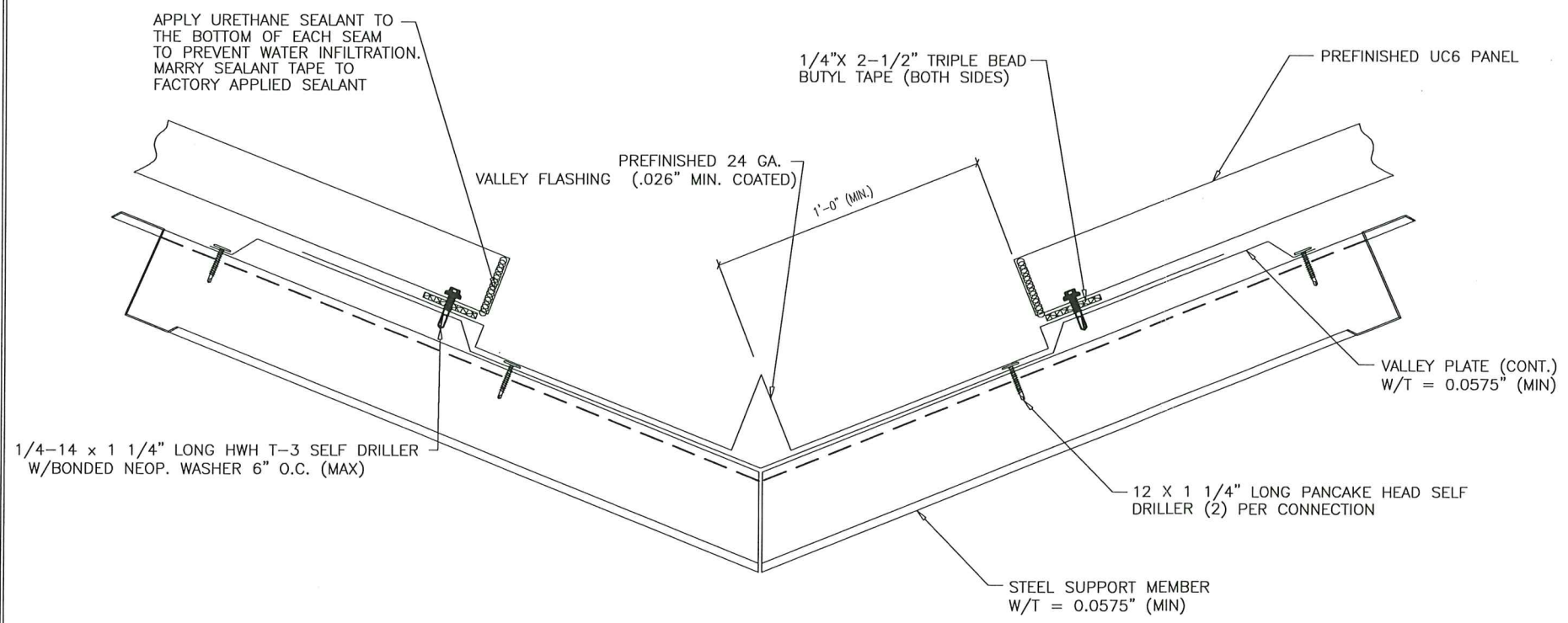
MANUFACTURING ENGINEER		JOHNATHAN GREEN, P.E. DISCIPLINE : CIVIL	
FLORIDA REGISTRATION NO.		88223	
UC-6 STRUCTURAL STANDING SEAM SYSTEM			
Holcim Solutions and Products 26 Century Blvd, Suite 205 Nashville, TN 37214			
PROJECT	DADE COUNTY PRODUCT APPROVAL	REL. BY	DATE
SHEET TITLE	UC-6 DETAILS	REVISION DATE	04/25/23
LOCATION	DADE COUNTY, FLORIDA	SCALE	NTS
	PROJECT NUMBER	DRAWING NUMBER	SHEET NUMBER
	56-0065-23	UC-6	2



SEAL AT BOTTOM OF PANEL



PLAIN VIEW AT VALLEY



SECTION THRU VALLEY
SECTION (5)

PRODUCT REVISED
as complying with the Florida
Building Code
Acceptance No. 23-0613.05
Expiration Date 02/06/2024
By *H. G. A. Miller*
Miami Date Product Control

APR 25 2023

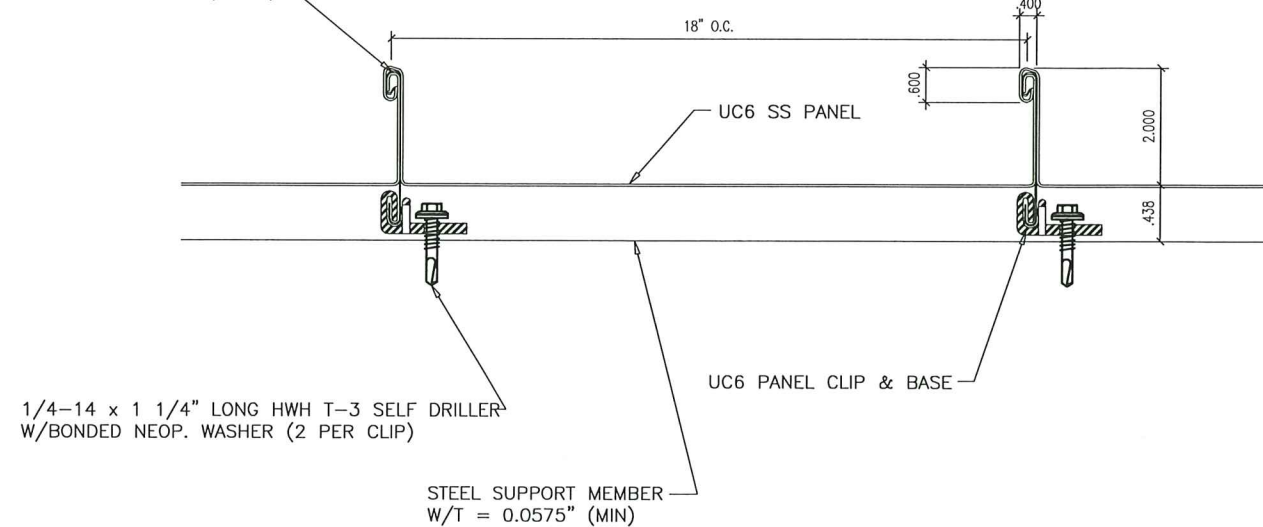
JOHNATHAN GREEN
LICENSE
No. 88223
STATE OF
FLORIDA
PROFESSIONAL ENGINEER

THIS DOCUMENT HAS BEEN DIGITALLY SIGNED AND SEALED BY JOHNATHAN GREEN ON THE DATE ADJACENT TO THE SEAL.

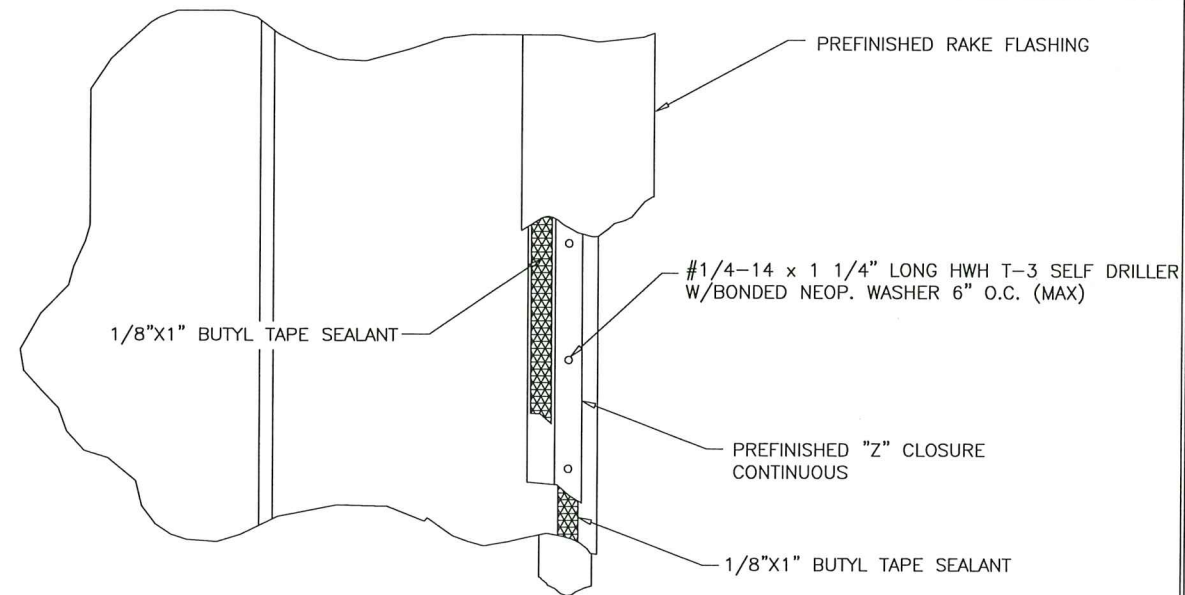
PRINTED COPIES OF THIS DOCUMENT ARE NOT CONSIDERED SIGNED AND SEALED AND THE SIGNATURE MUST BE VERIFIED ON ANY ELECTRONIC COPIES.

MANUFACTURING ENGINEER	JOHNATHAN GREEN, P.E. DISCIPLINE : CIVIL		
FLORIDA REGISTRATION NO.	88223		
UC-6 STRUCTURAL STANDING SEAM SYSTEM			
Holcim Solutions and Products 26 Century Blvd, Suite 205 Nashville, TN 37214			
PROJECT	DADE COUNTY PRODUCT APPROVAL	REL BY	DESCRIPTION DATE
SHEET TITLE	UC-6 DETAILS	DRAWN BY: JC	REVISION DATE: 04/25/23
LOCATION	DADE COUNTY, FLORIDA	CHECKED BY:	SCALE: NTS
		PROJECT NUMBER: 56-0065-23	DRAWING NUMBER: UC-6 SHEET NUMBER: 3

FILL END OF SEAM WITH URETHANE SEALANT (CONT.)



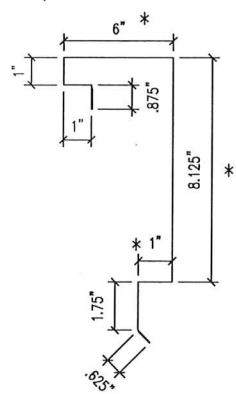
UC-6 STANDING SEAM PANEL SUPPORT DETAILS
SECTION ①



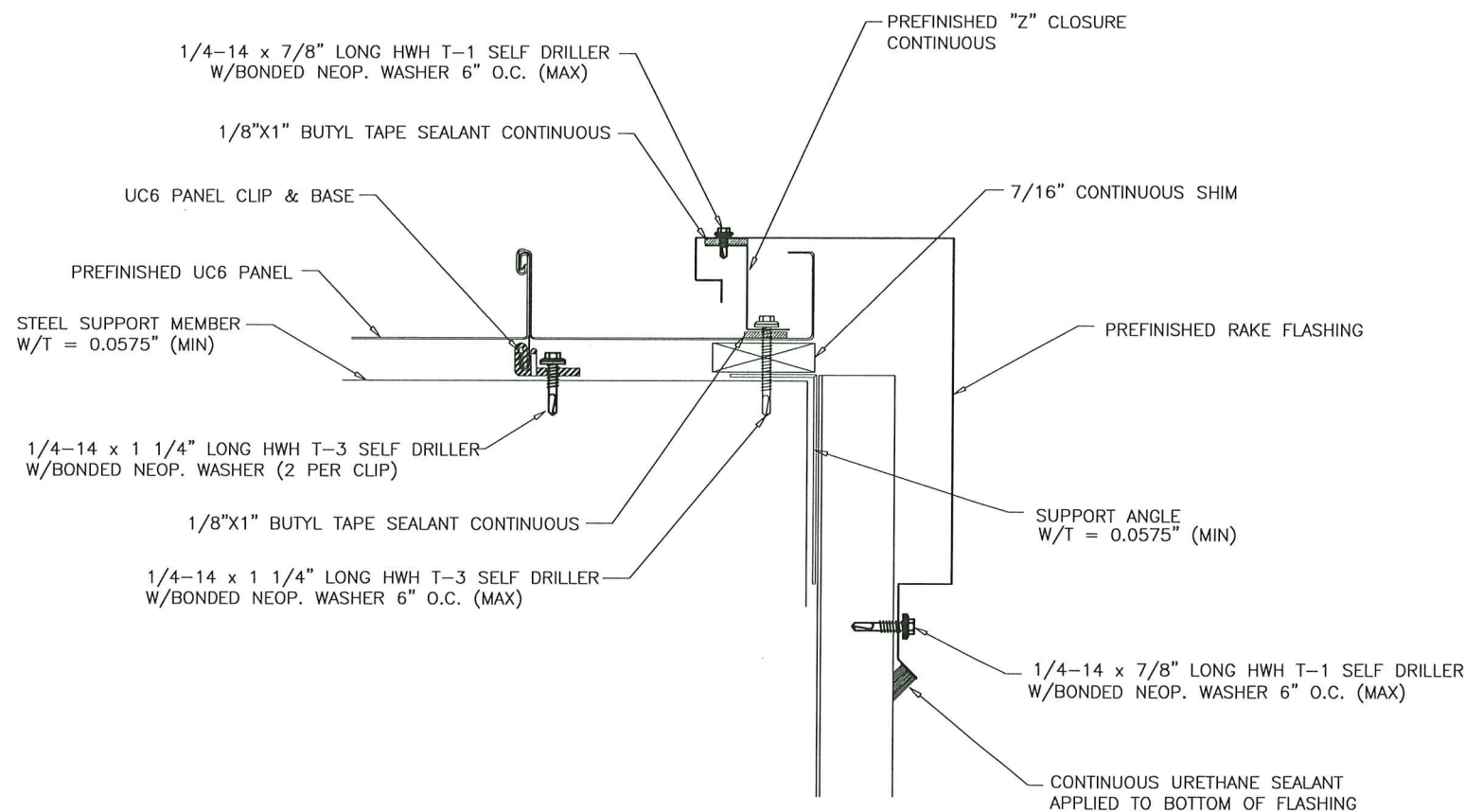
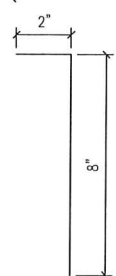
PLAIN VIEW AT RAKE

PRODUCT REVISED
as complying with the Florida
Building Code
Acceptance No 23-0613.05
Expiration Date 02/06/2024
By *Johnathan Green*
Miami Lead Product Control

PREFINISHED RAKE FLASHING
(t=.026\"/>

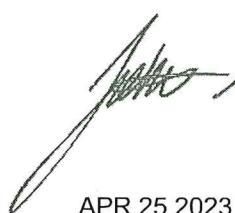


16 GA. SUPPORT ANGLE
(t=.0575\"/>

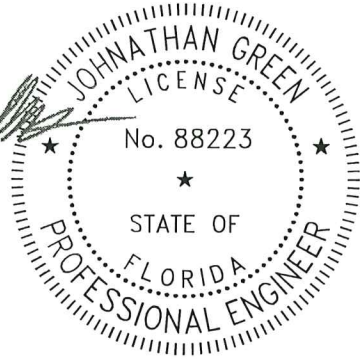


SECTION THRU RAKE
SECTION ③

* ASTERICK ITEMS ARE ADJUSTED TO FIELD SPECIFIC CONDITIONS.



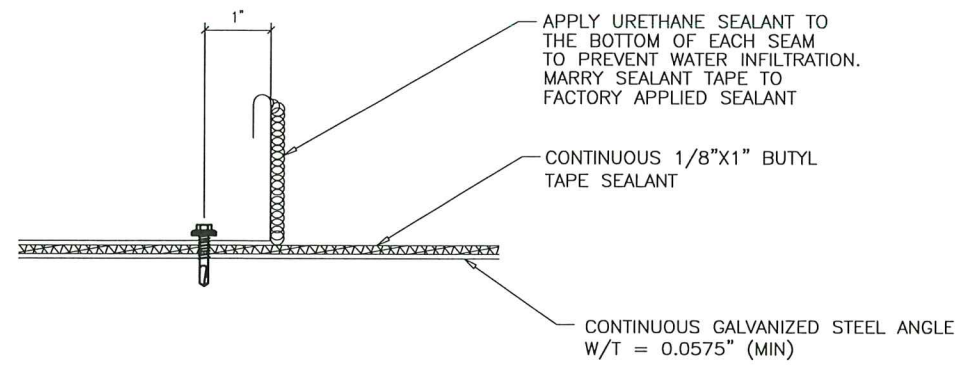
APR 25 2023



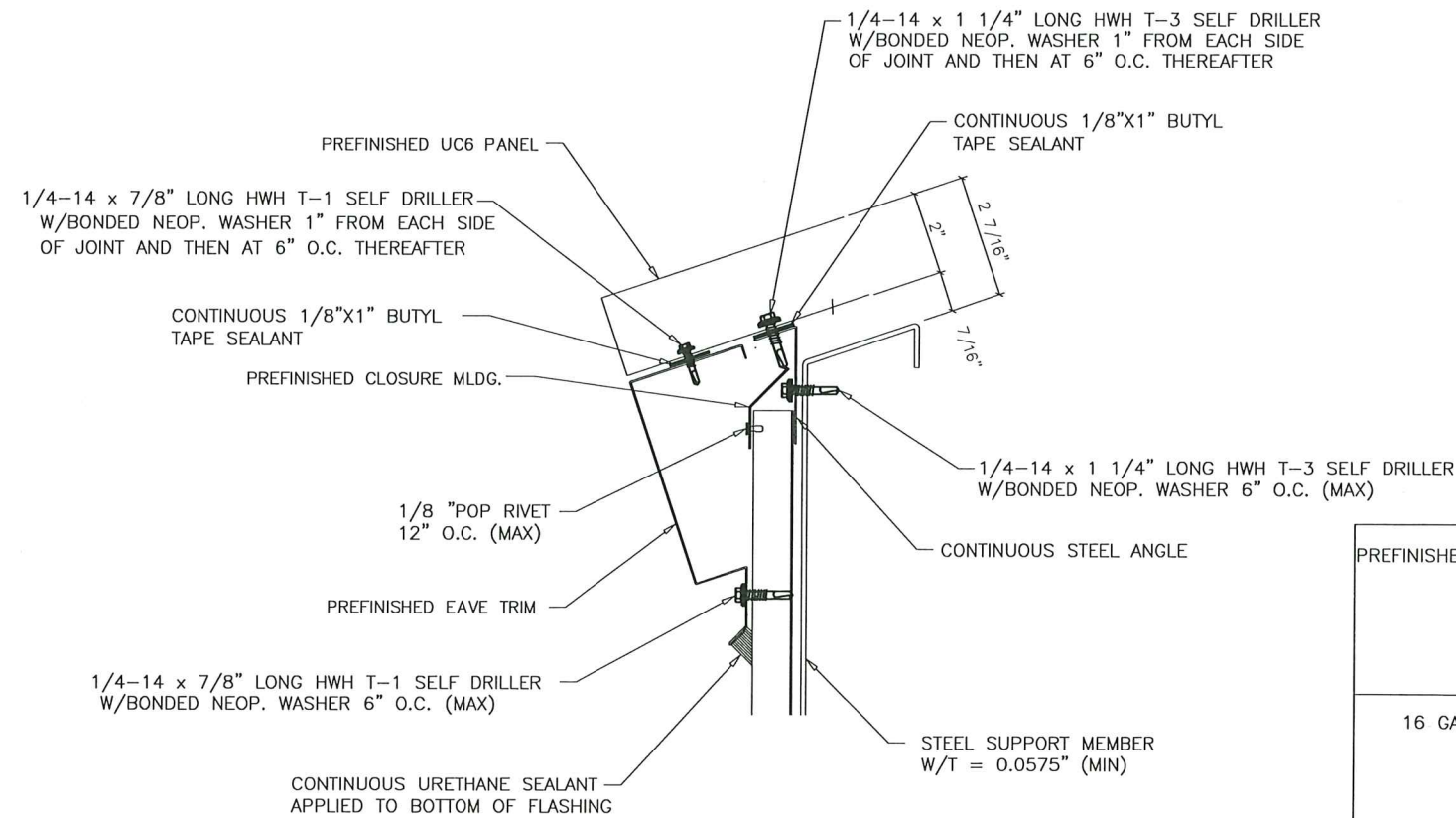
THIS DOCUMENT HAS BEEN DIGITALLY SIGNED AND SEALED BY JOHNATHAN GREEN ON THE DATE ADJACENT TO THE SEAL.

PRINTED COPIES OF THIS DOCUMENT ARE NOT CONSIDERED SIGNED AND SEALED AND THE SIGNATURE MUST BE VERIFIED ON ANY ELECTRONIC COPIES.

MANUFACTURING ENGINEER		JOHNATHAN GREEN, P.E. DISCIPLINE : CIVIL	
FLORIDA REGISTRATION NO.		88223	
UC-6 STRUCTURAL STANDING SEAM SYSTEM			
Holcim Solutions and Products 26 Century Blvd, Suite 205 Nashville, TN 37214			
PROJECT	DADE COUNTY PRODUCT APPROVAL	REL BY	DESCRIPTION DATE
SHEET TITLE	UC-6 DETAILS	DRAWN BY: JG	REVISION DATE: 04/25/23
		CHECKED BY:	SCALE: NTS
LOCATION	DADE COUNTY, FLORIDA	PROJECT NUMBER	DRAWING NUMBER SHEET NUMBER
		56-0065-23	UC-6 4



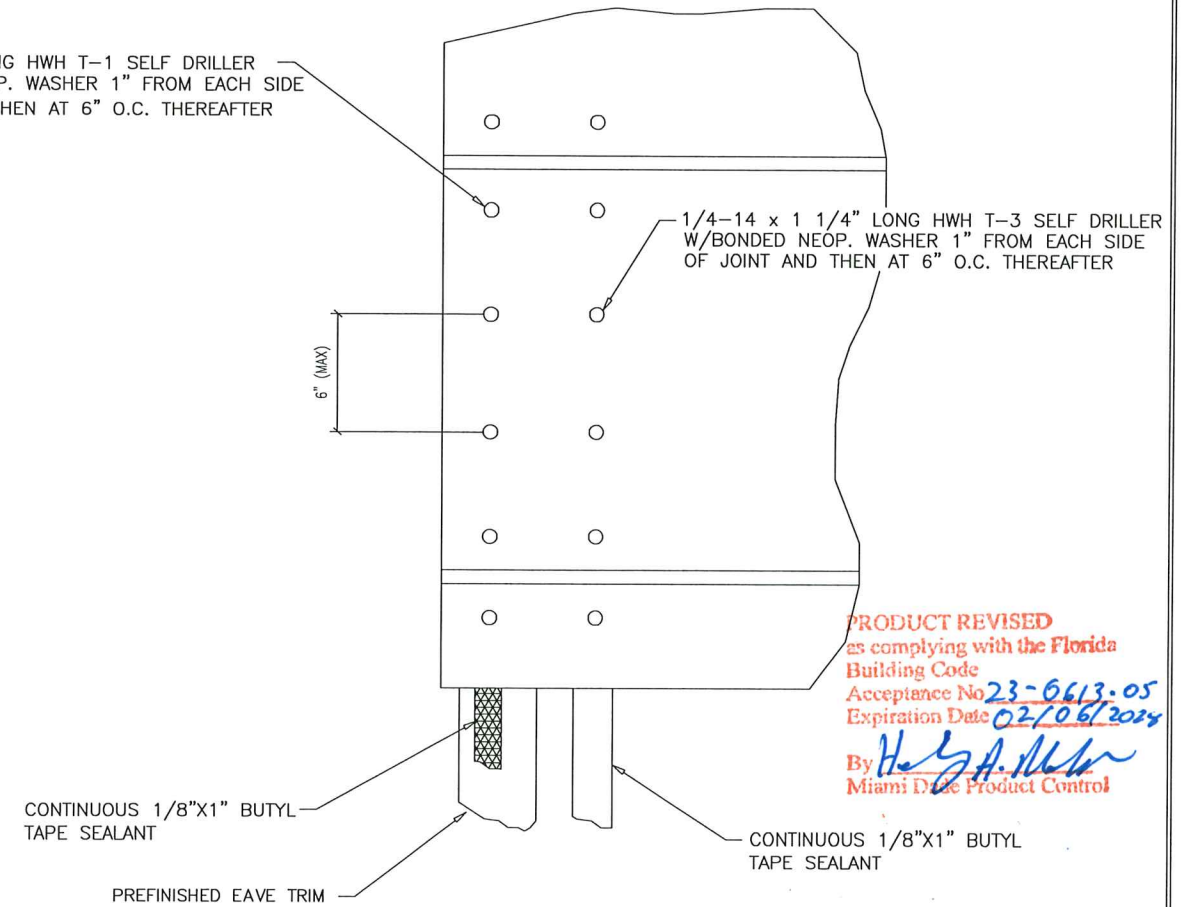
SEAL AT BOTTOM OF PANEL



SECTION THRU LOW EAVE
SECTION ②

* ASTERICK ITEMS ARE ADJUSTED TO FIELD SPECIFIC CONDITIONS.

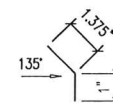
1/4-14 x 7/8" LONG HWH T-1 SELF DRILLER W/BONDED NEOP. WASHER 1" FROM EACH SIDE OF JOINT AND THEN AT 6" O.C. THEREAFTER



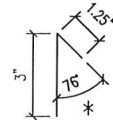
PLAIN VIEW LOW EAVE

PRODUCT REVISED as complying with the Florida Building Code
Acceptance No 23-6613-05
Expiration Date 02/06/2024
By *Heidi A. Miller*
Miami Dade Product Control

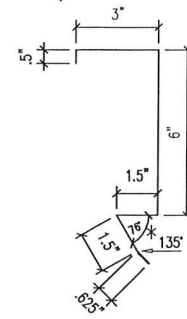
PREFINISHED CLOSURE MLDG. (t=.026" MIN.COATED)



16 GA. SUPPORT ANGLE (t=.0575" MIN.)



PREFINISHED EAVE TRIM (t=.026" MIN. COATED)

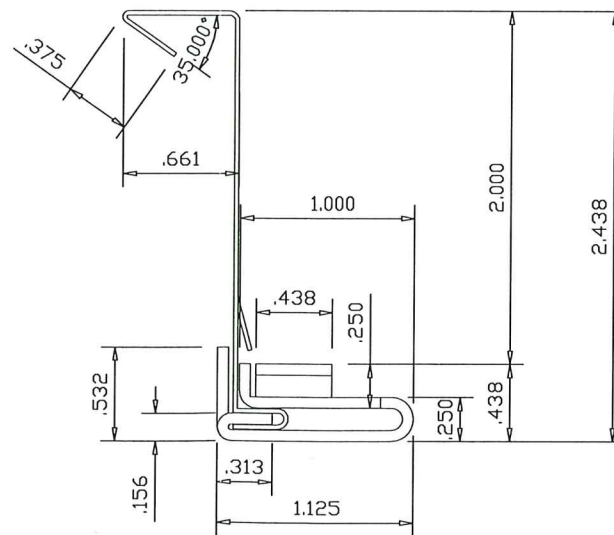
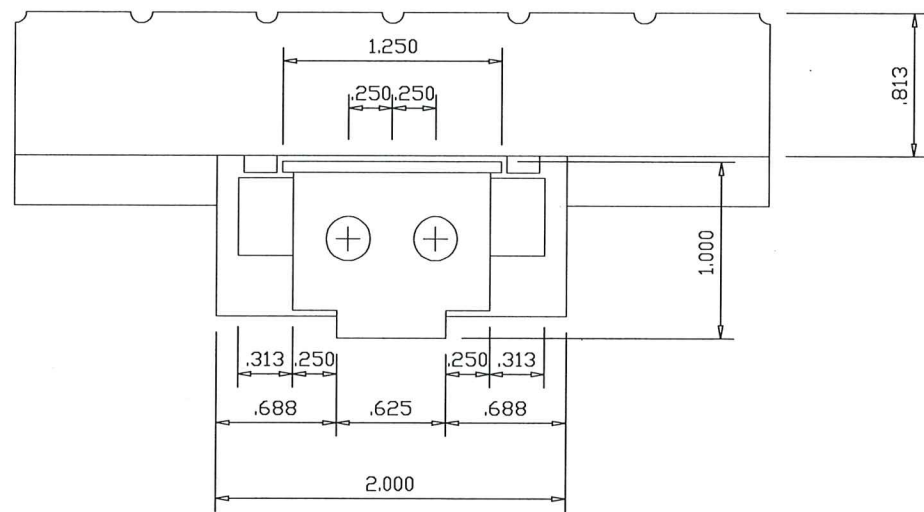
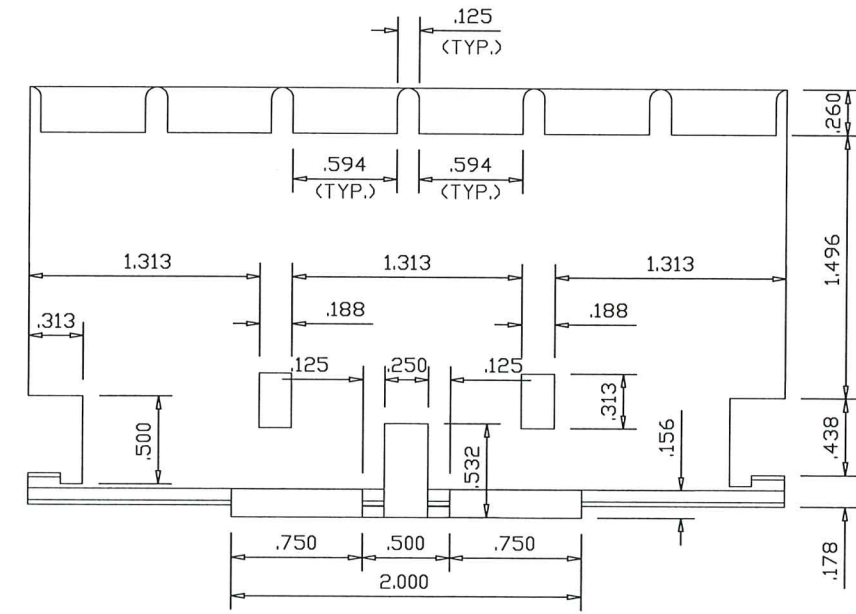
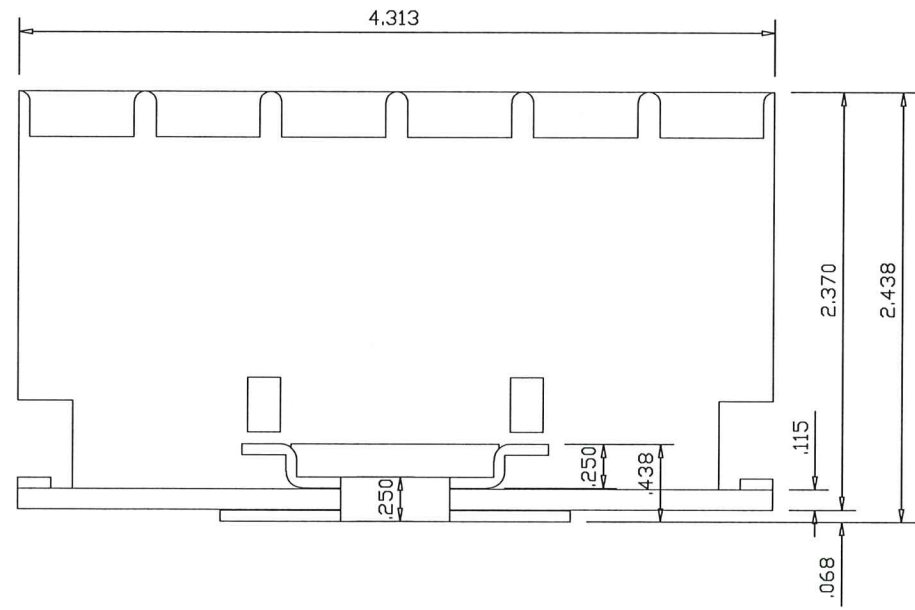


APR 25 2023

JOHNATHAN GREEN
LICENSE
No. 88223
STATE OF FLORIDA
PROFESSIONAL ENGINEER

THIS DOCUMENT HAS BEEN DIGITALLY SIGNED AND SEALED BY JOHNATHAN GREEN ON THE DATE ADJACENT TO THE SEAL.
PRINTED COPIES OF THIS DOCUMENT ARE NOT CONSIDERED SIGNED AND SEALED AND THE SIGNATURE MUST BE VERIFIED ON ANY ELECTRONIC COPIES.

MANUFACTURING ENGINEER	JOHNATHAN GREEN, P.E.	DISCIPLINE : CIVIL
FLORIDA REGISTRATION NO.	88223	
UC-6 STRUCTURAL STANDING SEAM SYSTEM		
Holcim Solutions and Products 26 Century Blvd, Suite 205 Nashville, TN 37214		
PROJECT	DADE COUNTY PRODUCT APPROVAL	
SHEET TITLE	UC-6 DETAILS	
LOCATION	DADE COUNTY, FLORIDA	
REL	BY	DESCRIPTION
DATE		
REVISION DATE:	04/25/23	
CHECKED BY:	JG	SCALE: NTS
PROJECT NUMBER	56-0065-23	DRAWING NUMBER: UC-6
		SHEET NUMBER: 5



PRODUCT REVISED
 as complying with the Florida
 Building Code
 Acceptance No 23-0613.05
 Expiration Date 02/06/2028
 By *Handwritten Signature*
 Miami Dade Product Control

UC-6 CLIP DETAILS

THICKNESS: 20 GA. (.035" MIN. COATED) TOP & 16 GA. (.0575" MIN.) BASE
 MATERIAL: GALV. STEEL
 FINISH: MILL

APR 25 2023

THIS DOCUMENT HAS BEEN DIGITALLY SIGNED AND SEALED BY JOHNATHAN GREEN ON THE DATE ADJACENT TO THE SEAL.
 PRINTED COPIES OF THIS DOCUMENT ARE NOT CONSIDERED SIGNED AND SEALED AND THE SIGNATURE MUST BE VERIFIED ON ANY ELECTRONIC COPIES.

MANUFACTURING ENGINEER		JOHNATHAN GREEN, P.E. DISCIPLINE : CIVIL	
FLORIDA REGISTRATION NO.		88223	
UC-6 STRUCTURAL STANDING SEAM SYSTEM			
Holcim Solutions and Products 26 Century Blvd, Suite 205 Nashville, TN 37214			
PROJECT	DADE COUNTY PRODUCT APPROVAL	REL	DATE
SHEET TITLE	UC-6 CLIP DETAILS	BY	DESCRIPTION
LOCATION	DADE COUNTY, FLORIDA	DATE	04/25/23
		CHECKED BY	SCALE: NTS
		PROJECT NUMBER	DRAWING NUMBER
		56-0065-23	UC-6
			SHEET NUMBER
			6