



DEPARTMENT OF REGULATORY AND ECONOMIC RESOURCES (RER)
BOARD AND CODE ADMINISTRATION DIVISION

NOTICE OF ACCEPTANCE (NOA)

MIAMI-DADE COUNTY
PRODUCT CONTROL SECTION

11805 SW 26 Street, Room 208
Miami, Florida 33175-2474
T (786) 315-2590 F (786) 315-2599

www.miamidade.gov/economy

Shanghai YY Windows CO. LTD.
No. 9300 Hunan Highway,
PuDong New Area, Shanghai, China, 201399

SCOPE:

This NOA is being issued under the applicable rules and regulations governing the use of construction materials. The documentation submitted has been reviewed and accepted by Miami-Dade County RER -Product Control Section to be used in Miami Dade County and other areas where allowed by the Authority Having Jurisdiction (AHJ).

This NOA shall not be valid after the expiration date stated below. The Miami-Dade County Product Control Section (In Miami Dade County) and/or the AHJ (in areas other than Miami Dade County) reserve the right to have this product or material tested for quality assurance purposes. If this product or material fails to perform in the accepted manner, the manufacturer will incur the expense of such testing and the AHJ may immediately revoke, modify, or suspend the use of such product or material within their jurisdiction. RER reserves the right to revoke this acceptance, if it is determined by Miami-Dade County Product Control Section that this product or material fails to meet the requirements of the applicable building code.

This product is approved as described herein and has been designed to comply with the Florida Building Code, including the High Velocity Hurricane Zone.

DESCRIPTION: Series “YY-150” Aluminum Storefront Systems - L.M.I.

APPROVAL DOCUMENT: Drawing No. **AD 23-04**, titled “YY 150 Storefront Systems (L.M.I.)”, sheets 1 through 6 of 6, dated April 26, 2023, prepared by MCY Engineering, Inc., signed and sealed by Yiping Wang, P.E., bearing the Miami-Dade County Product Control Approval stamp with the Notice of Acceptance number and approval date by the Miami-Dade County Product Control Section.

MISSILE IMPACT RATING: Large and Small Missile Impact Resistant

Limitations:

LABELING: Each unit shall bear a permanent label with the manufacturer's name or logo, **Shanghai, China**, series, and the following statement: "Miami-Dade County Product Control Approved", unless otherwise noted herein.

RENEWAL of this NOA shall be considered after a renewal application has been filed and there has been no change in the applicable building code negatively affecting the performance of this product.

TERMINATION of this NOA will occur after the expiration date or if there has been a revision or change in the materials, use, and/or manufacture of the product or process. Misuse of this NOA as an endorsement of any product, for sales, advertising or any other purposes shall automatically terminate this NOA. Failure to comply with any section of this NOA shall be cause for termination and removal of NOA.

ADVERTISEMENT: The NOA number preceded by the words Miami-Dade County, Florida, and followed by the expiration date may be displayed in advertising literature. If any portion of the NOA is displayed, then it shall be done in its entirety.

INSPECTION: A copy of this entire NOA shall be provided to the user by the manufacturer or its distributors and shall be available for inspection at the job site at the request of the Building Official.

This NOA is consists of this page 1 and evidence pages E-1, as well as approval document mentioned above. The submitted documentation was reviewed by **Sifang Zhao, P.E.**



S. Zhao

07/25/2024

NOA No. 23-0731.02

Expiration Date: July 25, 2029

Approval Date: July 25, 2024

NOTICE OF ACCEPTANCE: EVIDENCE SUBMITTED

A. DRAWINGS

1. Manufacturer's die drawings and sections.
2. Drawing No. **AD 23-04**, titled "YY 150 Storefront Systems (L.M.I.)", sheets 1 through 6 of 6, dated April 26, 2023, prepared by MCY Engineering, Inc., signed and sealed by Yiping Wang, P.E.

B. TESTS

1. Test reports on:
 - 1) Air Infiltration Test, per FBC, TAS 202-94
 - 2) Uniform Static Air Pressure Test, Loading per FBC, TAS 202-94
 - 3) Water Resistance Test, per FBC, TAS 202-94
 - 4) Large Missile Impact Test per FBC, TAS 201-94
 - 5) Cyclic Wind Pressure Loading per FBC, TAS 203-94along with marked-up drawings and installation diagram of aluminum project out window, prepared by Intertek Testing, Shanghai, China., Test Report No. **210525009SHF-001**, dated 08/30/2021, signed and sealed by Vinu Abraham, P.E.

C. CALCULATIONS

1. Anchor verification calculations and structural analysis, complying with FBC-8th Edition dated 11/03/2023, prepared by MCY Engineering, Inc., signed and sealed by Yipping wang, P.E.
2. Glazing complies with ASTM E1300-04 & -09.

D. QUALITY ASSURANCE

1. Miami-Dade Department of Regulatory and Economic Resources (RER).

E. MATERIAL CERTIFICATIONS

1. Notice of Acceptance No. **23-0717.30** issued to Kuraray America, Inc. for the "Sentry Glass ® Interlayer", expiring on 07/4/28.

F. STATEMENTS

1. Statement letter of conformance, complying with **FBC2023 (8th Edition)** and "No financial interest" dated 11/03/2023, issued by MCY Engineering, Inc., signed and sealed by Yiping Wang, P.E.
2. Distributor Agreement, between manufacturer Shanghai YY Windows Co. LTD, China and DGC Development Corp., USA (Distributor) dated 05/31/2024, signed by Yvonne Yang, director and Daniel Jorge Oliveira, CEO on behalf of their respective companies.

G. OTHER

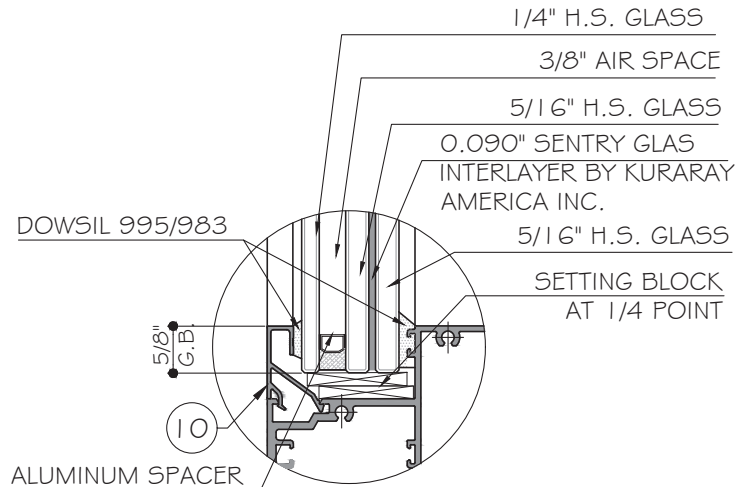
1. None.



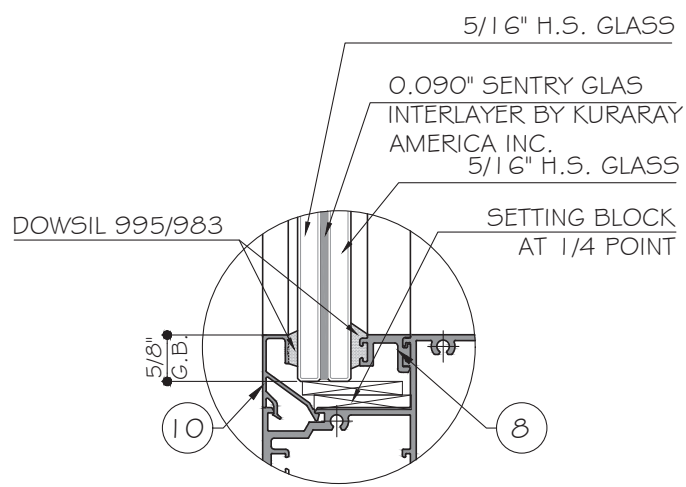
Sifang Zhao, P.E.
Product Control Examiner
NOA No. 23-0731.02
Expiration Date: July 25, 2029
Approval Date: July 25, 2024

SHANGHAI YY WINDOWS CO., LTD

YY150 STOREFRONT SYSTEMS - L.M.I.



GLASS TYPE 'G1'
1 5/16" NOMINAL OVERALL
INSULATED LAMINATED GLASS



GLASS TYPE 'G2'
1 1/16" NOMINAL OVERALL
LAMINATED GLASS

NOTE:
GLASS COMPLIES WITH ASTM E1300-09
(3 SEC. GUSTS).

GENERAL NOTES:

- THIS PRODUCT HAS BEEN DESIGNED AND TESTED TO COMPLY WITH THE REQUIREMENTS OF THE 7TH EDITION FLORIDA BUILDING CODE (2020) INCLUDING HIGH VELOCITY HURRICANE ZONE (HVHZ).
- STOREFRONT RATED FOR LARGE MISSILE IMPACT, SYSTEM TESTED FOR IMPACT LEVEL "D".
- STOREFRONT ARE APPROVED FOR AIR AND WATER INFILTRATION.
- ANCHORS SHALL BE AS LISTED, SPACED AS SHOWN ON DETAILS. ANCHORS EMBEDMENT TO BASE MATERIAL SHALL BE BEYOND WALL DRESSING OR STUCCO.
- ANCHORING OR LOADING CONDITIONS NOT SHOWN IN THESE DETAILS ARE NOT PART OF THIS APPROVAL.
- MATERIALS INCLUDING BUT NOT LIMITED TO STEEL/ METAL SCREWS THAT COME INTO CONTACT WITH OTHER DISSIMILAR MATERIALS SHALL MEET THE REQUIREMENTS OF THE 7TH EDITION FLORIDA BUILDING CODE (2020) SECTION AS APPLICABLE.
- METAL STRUCTURAL BY OTHERS TO BE DESIGNED TO SUPPORT THE LOADS IMPOSED BY THIS GLAZING SYSTEM AND TO TRANSFER SUCH LOADS TO THE BUILDING MAIN STRUCTURE.
- ULTIMATE LOAD OBTAINED FROM ASCE 7-16, MULTIPLY BY 0.6 SHALL BE LESS THAN OR EQUAL TO MAX. DESIGN LOAD IN THIS DOCUMENT. THE DESIGN LOADS SHOWN IN THIS DOCUMENT ARE ALLOWABLE DESIGN LOADS.

-SEALANTS:

ALL FRAME CORNERS, JOINTS, MULLION SEAMS AND PERIMETER GLAZING BEAD TO FRAME INSTALLATION FASTENERS SEALED WITH SILICONE SEALANT.

INSTRUCTIONS:

USE CHARTS AS FOLLOWS.

- STEP 1:** DETERMINE DESIGN WIND LOAD REQUIREMENTS BASED ON WIND VELOCITY, BLDG. HEIGHT, WIND ZONE USING APPLICABLE ASCE 7-16 STANDARD.
- STEP 2:** SEE ANCHOR TYPE ON SHEET D1. SEE SHEET E1 FOR ANCHOR SPACING.
- STEP 3:** THE LOWEST VALUE RESULTING FROM STEPS 2 THAT EXCEED THE DESIGN WIND PRESSURES DETERMINED THRU STEP 1 SHALL APPLY TO ENTIRE SYSTEM.

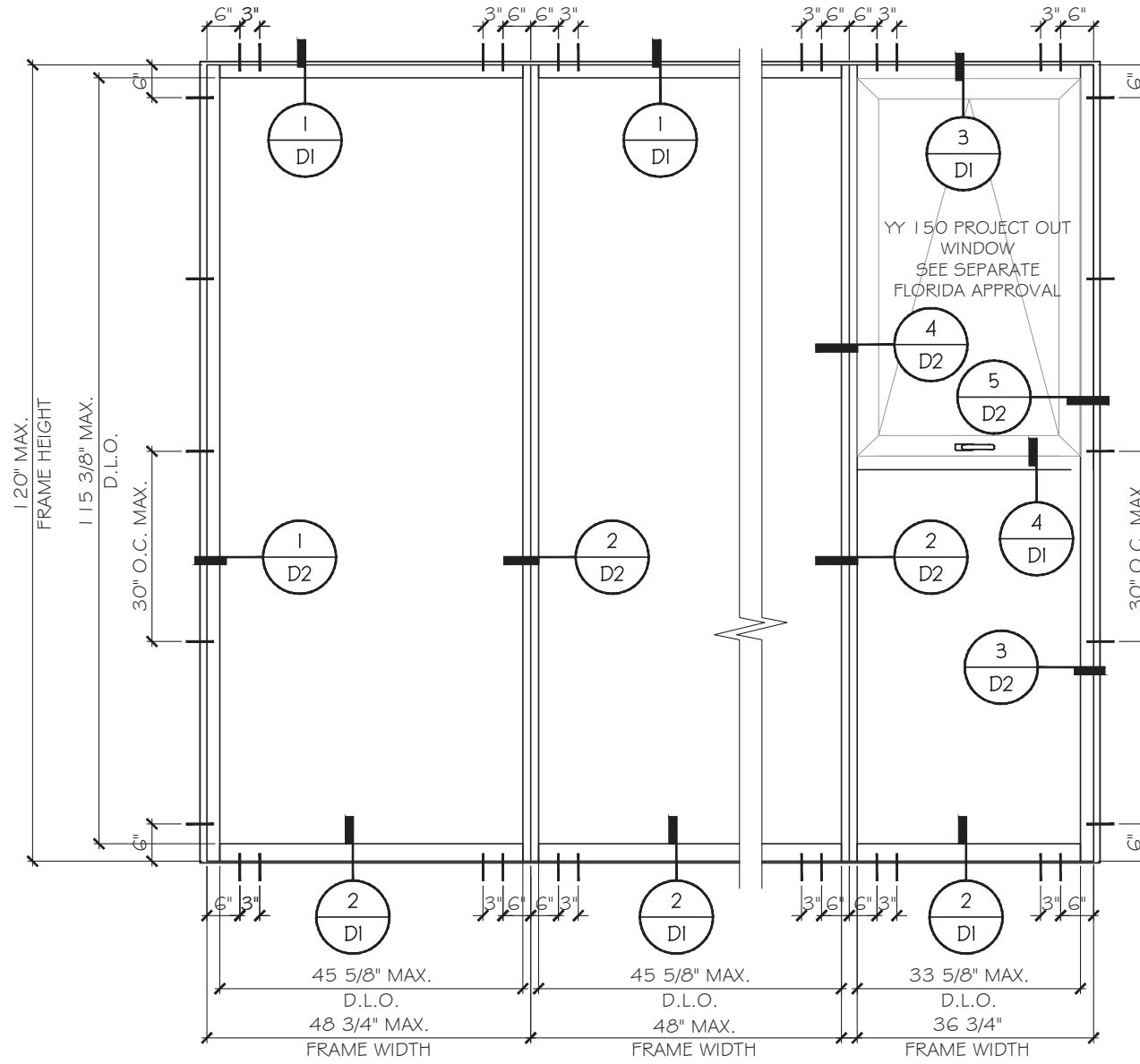
ABBREVIATIONS AND SYMBOLS	
D.L.O. - DAYLITE OPENING	
F.H. - FRAME HEIGHT	
F.W. - FRAME WIDTH	
W/ - WITH	
W/O - WITHOUT	
O.C. - ON CENTER	

MIAMI-DADE COUNTY

PRODUCT APPROVED
as complying with the Florida Building Code
NOA-No. 23-0731.02
Approval Date 07/25/2024
By *[Signature]*
Miami-Dade Product Control

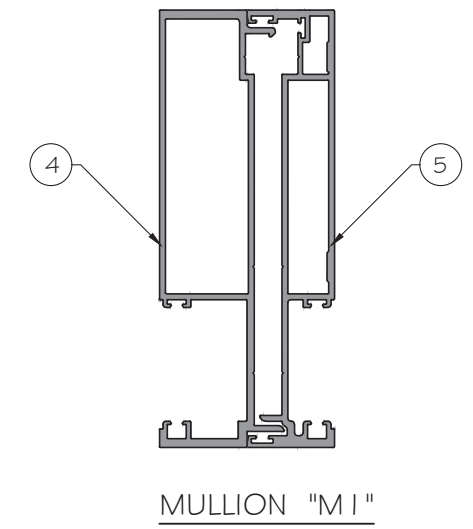
YIPING WANG, P.E.
FLORIDA REGISTRATION
FL #55983
CAN. 28677

MCY ENGINEERING, INC.	
GLAZING CONSULTANTS	
12781 MIRAMAR PKWY, STE. 301 MIRAMAR, FL 33027 P: 305.271.0117 www.MCYEngineering.com mcy@mcyengineering.com	
YY150 STOREFRONT SYSTEM-LMI	
SHANGHAI YY WINDOWS CO.,LTD NO.9300 Hunan high way, PUDONG NEW AREA,SHANGHAI CHINA TEL: +86 021-68221481/ +86 021-68221484 EMAIL: yvonre@yyconstruction.com	
NEW APPLICATION	Description
1	MIAMI-DADE COUNTY
04.20.2023	Date
MCY	Drawn By
1	Rev. No.
04.20.2023	Drawn Date
DRAWING NO.	
AD23-04	
C1	
Sheet No.	
1 OF 6	



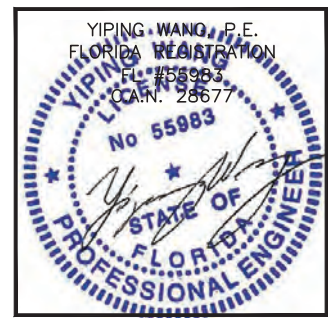
TYPICAL EXTERIOR ELEVATION

DESIGN LOAD
FOR SIZE SHOWN ABOVE OR SMALLER AS PERMITTED BY FBC
+70 PSF
-70 PSF



	1x IN^4	5x IN^3
YY150-20 ⑤	4.7849	1.5765
YY150-21 ④	5.2974	1.7940
TOTAL	10.0823	3.3218

MIAMI-DADE COUNTY
PRODUCT APPROVED
 as complying with the Florida Building Code
 NOA-No. 23-0731.02
 Approval Date 07/25/2024
 By *[Signature]*
 Miami-Dade Product Control

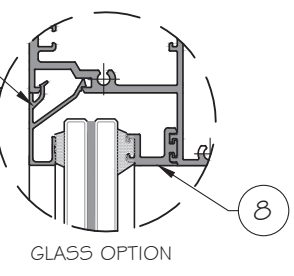
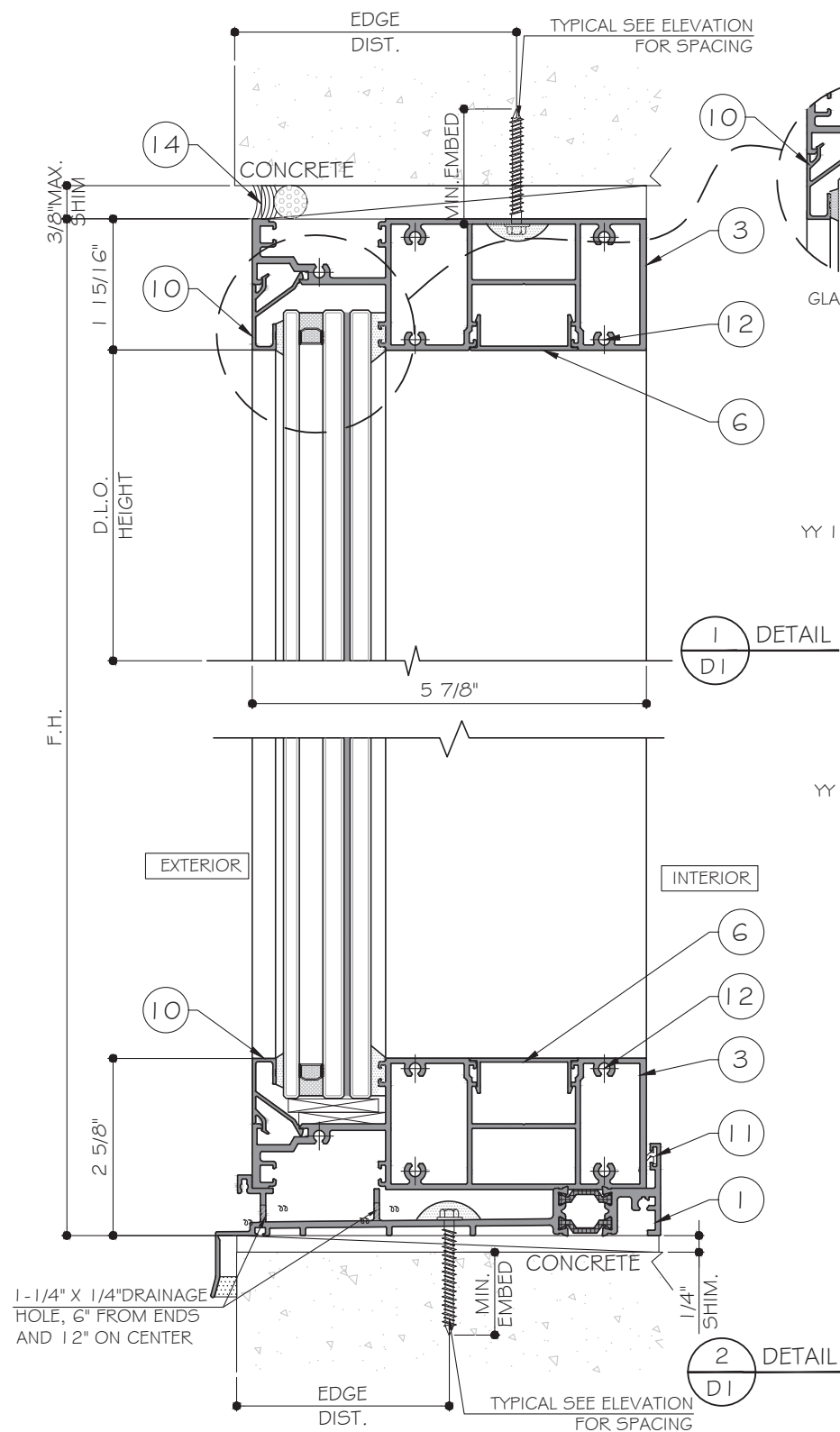


April 26, 2023

MCY ENGINEERING, INC.
 GLAZING CONSULTANTS
 12781 MIRAMAR PKWY, STE. 301
 MIRAMAR, FL 33027 P: 305.271.0117
 www.MCYEngineering.com mcy@myengineering.com

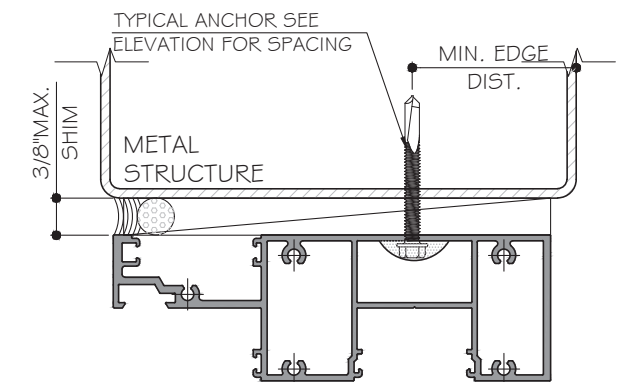
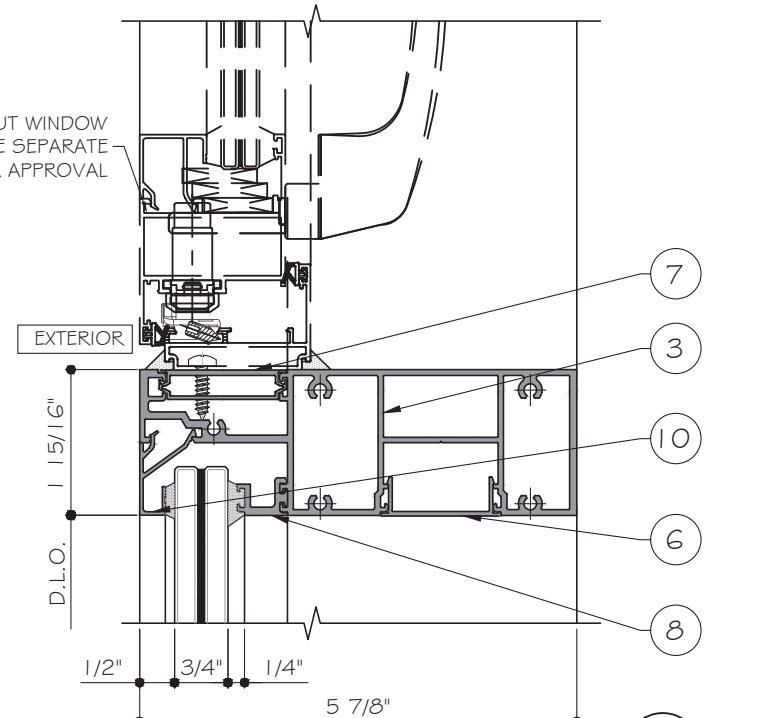
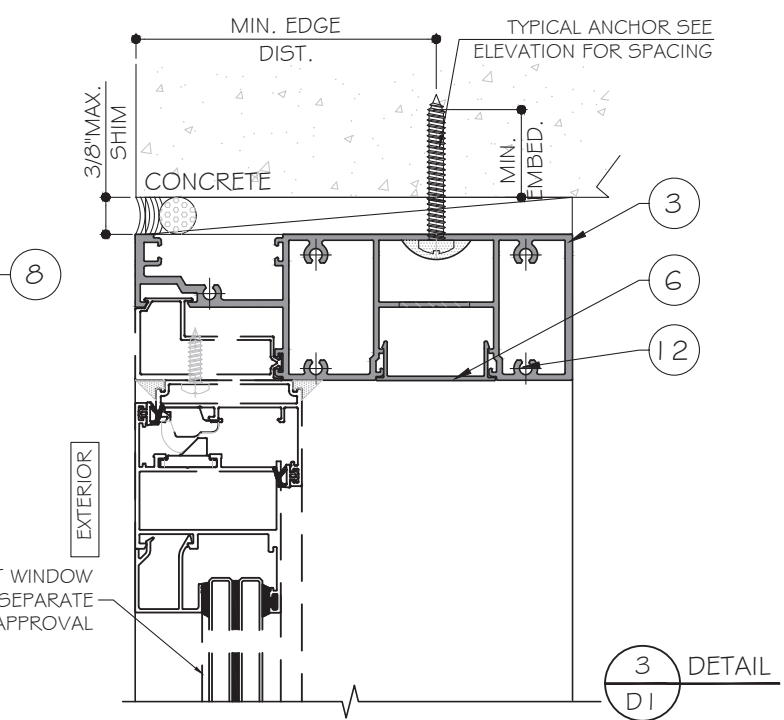
YY150 STOREFRONT SYSTEM-LMI
 SHANGHAI YY WINDOWS CO.,LTD
 NO.9300 Hunan High way, PUDONG NEW AREA,SHANGHAI CHINA
 TEL: +86 021-68221481 / +86 021-68221484
 EMAIL: yw@yyconstruction.com

NEW APPLICATION	Drawn By	Description
04.20.2023 MCY	MCY	
1	Date	Rev. No.
04.20.2023	MCY	
Drawn Date	Drawn By	DRAWING NO.
04.20.2023	MCY	AD23-04
E1		
Sheet No.		
2 OF 6		



YY 150 PROJECT OUT WINDOW
SEE SEPARATE
FLORIDA APPROVAL

YY 150 PROJECT OUT WINDOW
SEE SEPARATE
FLORIDA APPROVAL



TYPICAL ANCHOR TYPES:
SEE ELEVATIONS FOR SPACING

TYPE "A": 5/16" DIA. ULTRACON+ BY 'DEWALT' (Fu=177 KSI, Fy=155 KSI)
DIRECTLY INTO CONCRETE
WITH 1 3/4" MIN. EMBED INTO CONCRETE

TYPE "B": 5/16" DIA. ULTRACON+ BY 'DEWALT' (Fu=177 KSI, Fy=155 KSI)
INTO GROUT FILLED BLOCKS(JAMB ONLY)
WITH 1 3/4" MIN. EMBED (JAMB ONLY)

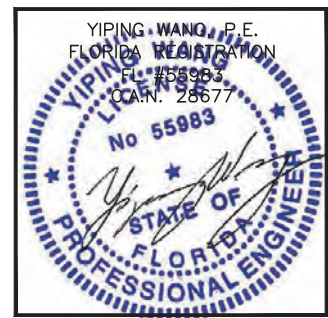
TYPE "C": 5/16" SMS OR SELF DRILLING SCREW(GRADE 5) (Fu=120 KSI, Fy=90 KSI)
INTO APPROVED MULLIONS
(1/8" THK. MIN.) INTO METAL STRUCTURE

STEEL: 12 GA. MIN. (Fy=36 KSI MIN.)
ALUMINUM: 1/8" THK. MIN. (6063-T5 MIN.)
(STEEL IN CONTACT WITH ALUMINUM TO BE ISOLATED OR PAINTED)

TYPICAL ANCHOR EDGE DISTANCE:
INTO CONCRETE AND MASONRY = 2 1/2" MIN.
INTO METAL STRUCTURE = 3/4" MIN.

CONCRETE f'c = 3000 psi MIN.
NORMAL STRENGTH GROUT FILLED BLOCK
(AT JAMB ONLY)

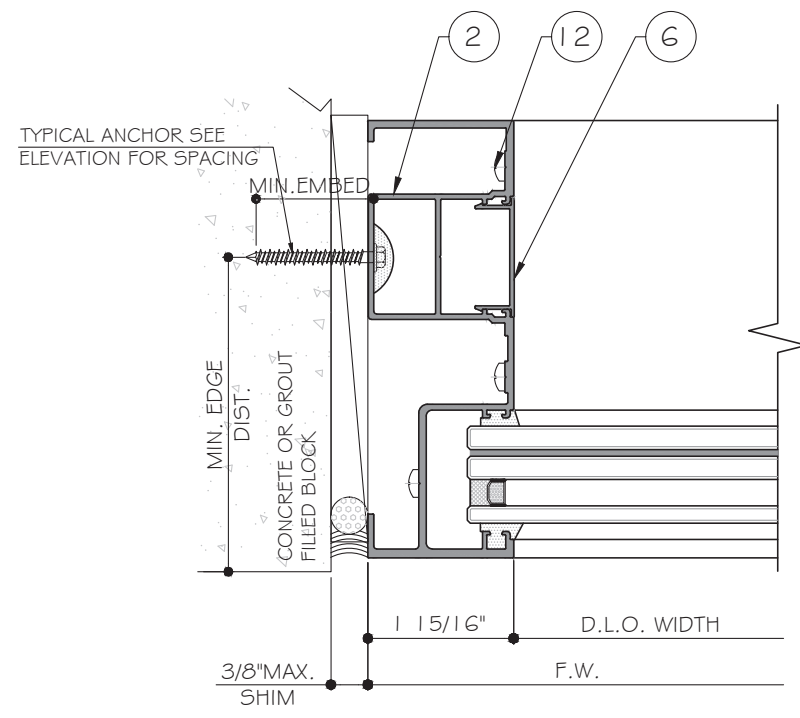
MIAMI-DADE COUNTY
PRODUCT APPROVED
as complying with the Florida
Building Code
NOA-No. 23-0731.02
Approval Date 07/25/2024
By *[Signature]*
Miami-Dade Product Control



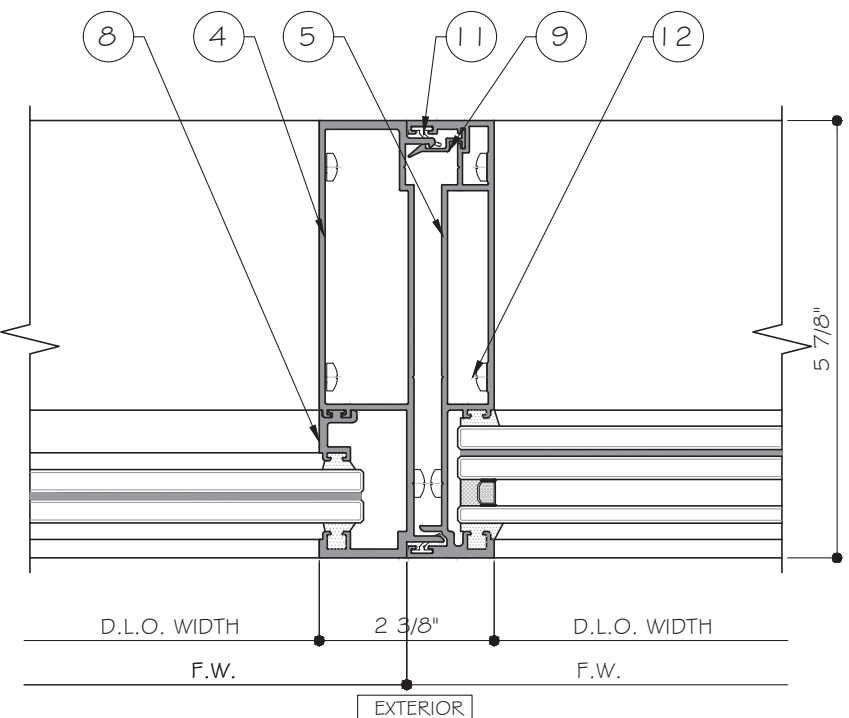
MCY ENGINEERING, INC.
GLAZING CONSULTANTS
12781 MIRAMAR PKWY., STE. 301
MIRAMAR, FL 33027 P: 305.271.0117
www.MCYEngineering.com mcy@mcyengineering.com

YY 150 STOREFRONT SYSTEM-LMI
SHANGHAI YY WINDOWS CO.,LTD
NO.9300 Hunan high way, PUDONG NEW AREA,SHANGHAI CHINA
TEL. +86 021-68221481/ +86 021-68221484
EMAIL: yvonre@yyconstruction.com

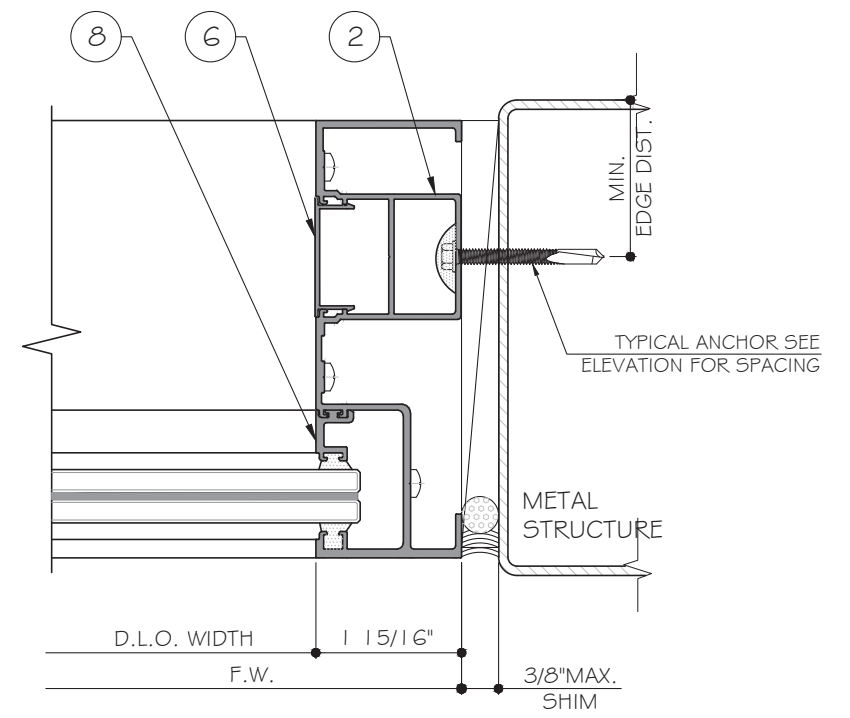
NEW APPLICATION	MCY	Drawn By	Description
1	04.20.2023	MCY	
Drawn Date	04.20.2023	Drawn By	MCY
DRAWING NO.			
AD23-04			
D1			
Sheet No.			
3 OF 6			



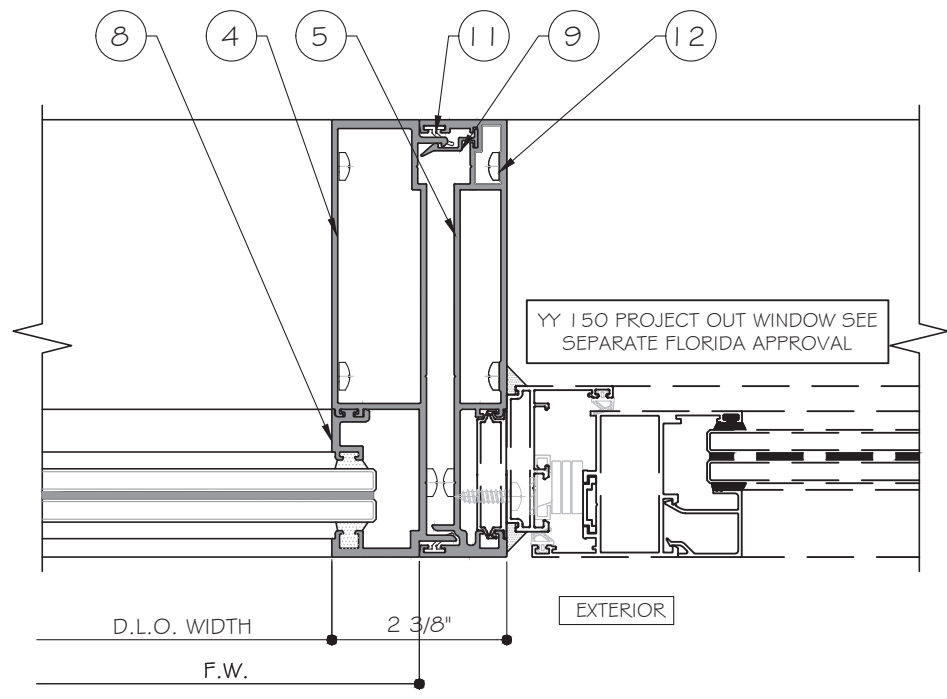
1
D2
DETAIL
JAMB



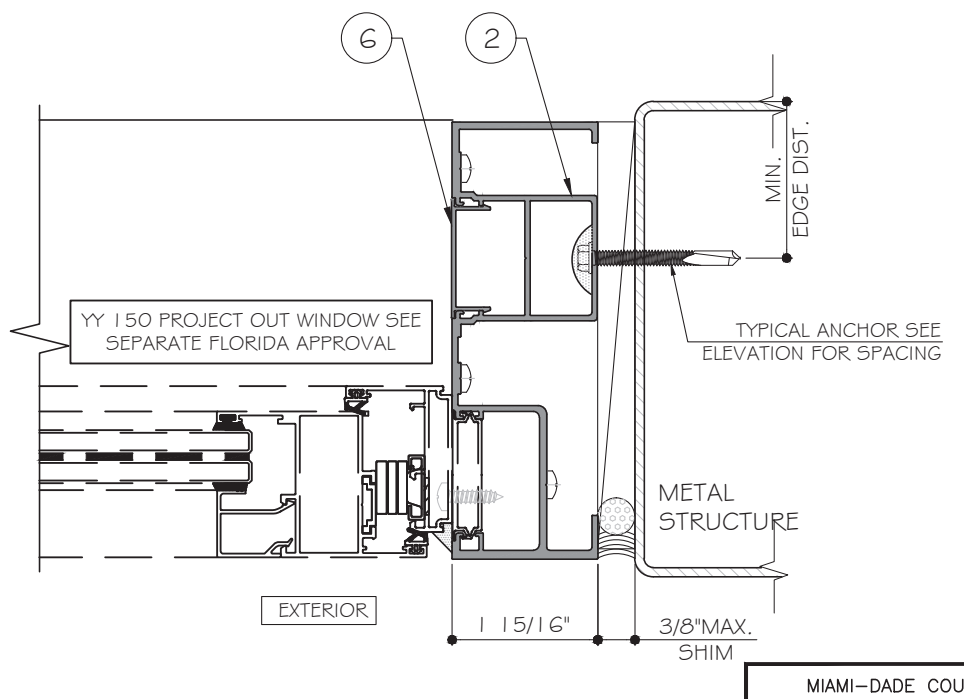
2
D2
DETAIL
EXTERIOR



3
D2
DETAIL
EXTERIOR

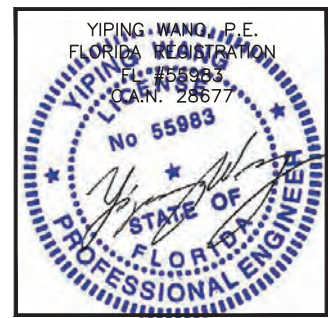


4
D2
DETAIL
EXTERIOR



5
D2
DETAIL
EXTERIOR

MIAMI-DADE COUNTY
PRODUCT APPROVED
 as complying with the Florida Building Code
 NOA-No. 23-0731.02
 Approval Date 07/25/2024
 By *[Signature]*
 Miami-Dade Product Control



MCY ENGINEERING, INC.
 GLAZING CONSULTANTS
 12781 MIRAMAR PKWY, STE. 301
 MIRAMAR, FL 33027 P: 305.271.0117
 www.MCYEngineering.com mcy@myengineering.com

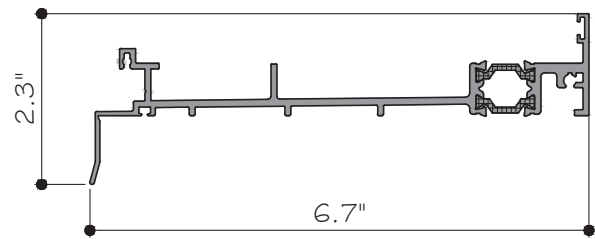
YY150 STOREFRONT SYSTEM-LMI
 SHANGHAI YY WINDOWS CO.,LTD
 NO.9300 Hunan high way, PUDONG NEW AREA,SHANGHAI CHINA
 TEL: +86 02 1-68221481/ +86 02 1-68221484
 EMAIL: ywone@yyconstruction.com

NEW APPLICATION	MCY	DATE	DESCRIPTION
1		04.20.2023	

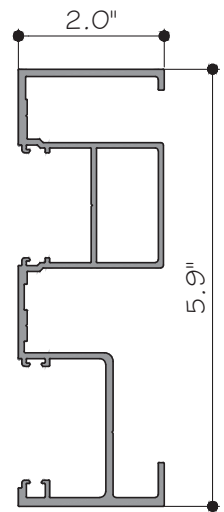
Drawn Date 04.20.2023	Drawn By MCY
DRAWING NO. AD23-04	
D2	
Sheet No. 4 OF 6	

BILL OF MATERIALS

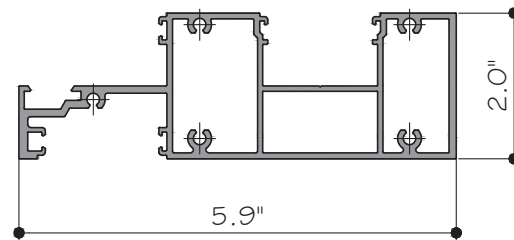
ITEM	PART	DESCRIPTION	MATERIAL	MANUF. / REMARKS
1	YY150-50	SUBSILL	ALUM. 6063-T5	-
2	YY150-22	JAMB	ALUM. 6063-T5	-
3	YY150-23	HEAD	ALUM. 6063-T5	-
4	YY150-21	MALE MULLION	ALUM. 6063-T6	-
5	YY150-20	FEMALE MULLIOM	ALUM. 6063-T6	-
6	YY150-47	CAP	ALUM. 6063-T5	-
7	YY100-58	ADJUSTER	ALUM. 6063-T5	-
8	YY100-40	ADJUSTER	ALUM. 6063-T5	-
9	YY100-15	CLIP	ALUM. 6063-T5	-
10	YY100-7	BEAD	ALUM. 6063-T5	-
11	--	EPDM GASKET	EPDM	DUROMETER 70±5 SHORE A
12	--	#10 5.5 SELF-TAPPING SCREW	STAINLESS STEEL 304	-
13	--	SETTING BLOCK	TPE	SHORE HARDNESS 65-80
14	--	WEATHER SEALANT	DOWSIL 795 OR 790	DOW CORNING
15	--	STRUCTURAL SILICONE	DOWSIL 995 OR 983	DOW CORNING



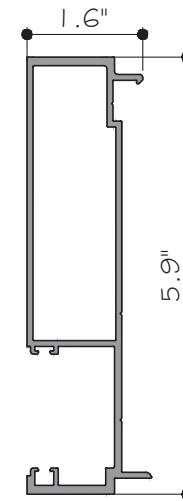
1 SUB SILL YY150-50
ALUM. 6063-T5



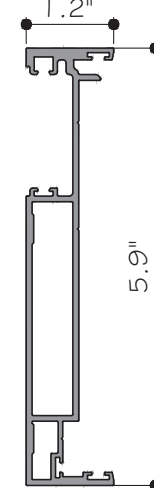
2 JAMB YY150-22
ALUM. 6063-T5



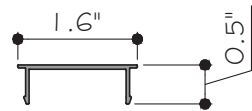
3 TRANSOM YY150-23
ALUM. 6063-T5



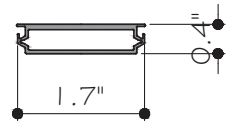
4 MALE MULLION YY150-21
ALUM. 6063-T6



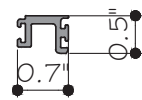
5 FEMALE MULLION YY150-20
ALUM. 6063-T6



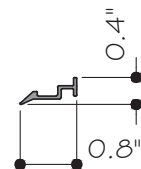
6 CAP YY150-47
ALUM. 6063-T5



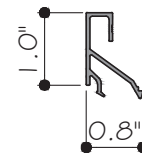
7 ADJUSTER YY100-58
ALUM. 6063-T5



8 ADJUSTER YY100-40
ALUM. 6063-T5



9 CLIP YY100-15
ALUM. 6063-T5



10 BEAD YY100-7
ALUM. 6063-T5



11 GASKET
EPDM

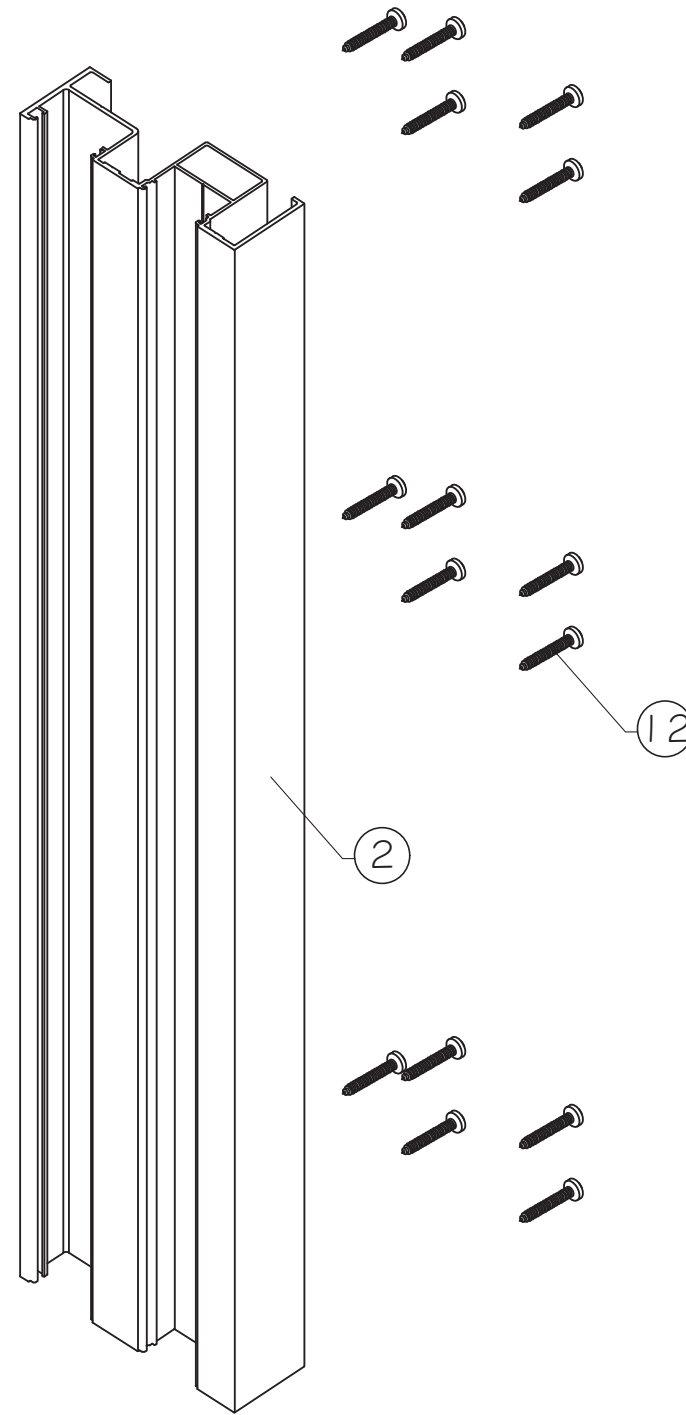
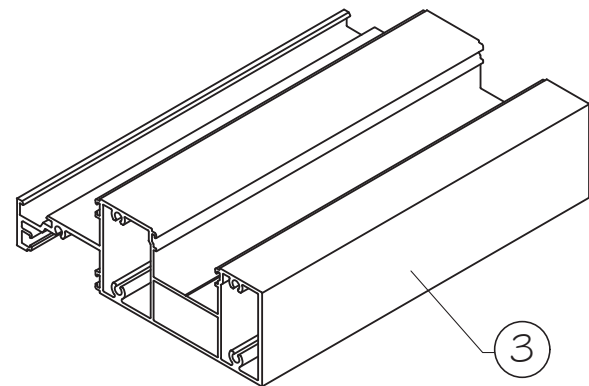
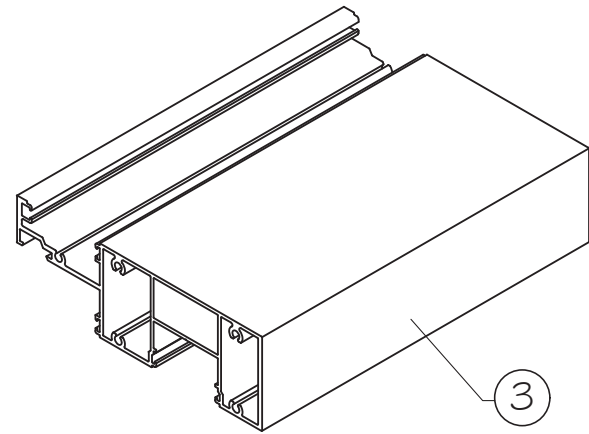
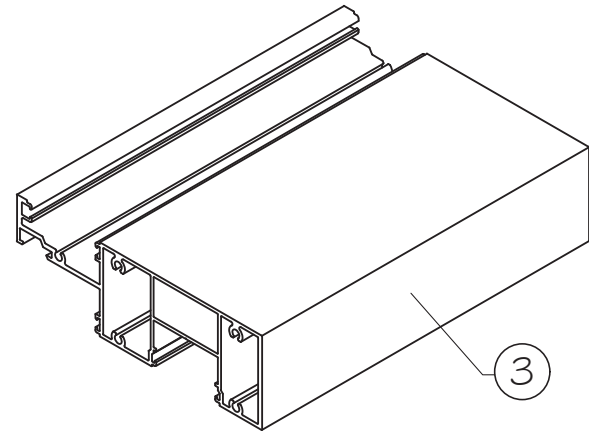
MIAMI-DADE COUNTY
PRODUCT APPROVED
as complying with the Florida
Building Code
NOA-No. 23-0731.02
Approval Date 07/25/2024
By *[Signature]*
Miami-Dade Product Control

YIPING WANG, P.E.
FLORIDA REGISTRATION
FL #55983
CAN. 28677
YIPING WANG
No 55983
STATE OF FLORIDA
PROFESSIONAL ENGINEER

MCY ENGINEERING, INC.
GLAZING CONSULTANTS
12781 MIRAMAR PKWY, STE. 301
MIRAMAR, FL 33027 P: 305.271.0117
www.MCYEngineering.com mcy@mcyengineering.com

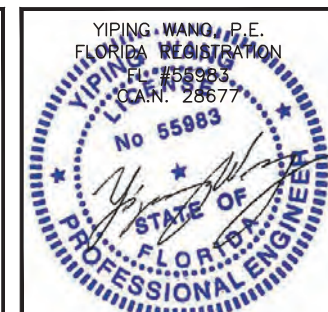
YY150 STOREFRONT SYSTEM-LMI
SHANGHAI YY WINDOWS CO., LTD
NO.9300 Hunan high way, PUDONG NEW AREA, SHANGHAI CHINA
TEL: +86 021-68221481 / +86 021-68221484
EMAIL: ywonne@yyconstruction.com

NEW APPLICATION	NO.	DATE	DESCRIPTION
1		04.20.2023	MCY
Drawn By	MCY	Date	
Drawn Date	04.20.2023	Drawn By	MCY
DRAWING NO.			
AD23-04			
PARTS			
Sheet No.			
5 OF 6			



FRAME CORNER ASSEMBLY
TOP AND BOTTOM

MIAMI-DADE COUNTY
PRODUCT APPROVED
as complying with the Florida
Building Code
NOA-No. 23-0731.02
Approval Date 07/25/2024
By *[Signature]*
Miami-Dade Product Control



April 26, 2023

MCY ENGINEERING, INC.
GLAZING CONSULTANTS
12781 MIRAMAR PKWY, STE. 301
MIRAMAR, FL 33027 P: 305.271.0117
www.MCYEngineering.com mcy@mcyengineering.com

YY150 STOREFRONT SYSTEM-LMI
SHANGHAI YY WINDOWS CO.,LTD
NO.9300 Hunan high way, PUDONG NEW AREA,SHANGHAI CHINA
TEL. +86 021-68221481/ +86 021-68221484
EMAIL: yvonre@yyconstruction.com

NEW APPLICATION	MCY	04.20.2023	Date	Drawn By	Description
1				MCY	
Drawn Date	04.20.2023	Drawn By	MCY	DRAWING NO.	
AD23-04					
ISO					
Sheet No.					
6 OF 6					