



DEPARTMENT OF REGULATORY AND ECONOMIC RESOURCES
BOARD AND CODE ADMINISTRATION DIVISION

MIAMI-DADE COUNTY
PRODUCT CONTROL SECTION
11805 SW 26 Street, Room 208
Miami, Florida 33175-2474
T (786) 315-2590 F (786) 315-2599

www.miamidade.gov/economy

NOTICE OF ACCEPTANCE (NOA)

NCI Group, Inc.
7301 Fairview
Houston, TX 77041

SCOPE:

This NOA is being issued under the applicable rules and regulations governing the use of construction materials. The documentation submitted has been reviewed and accepted by Miami-Dade County RER-Product Control Section to be used in Miami Dade County and other areas where allowed by the Authority Having Jurisdiction (AHJ).

This NOA shall not be valid after the expiration date stated below. The Miami-Dade County Product Control Section (In Miami Dade County) and/or the AHJ (in areas other than Miami Dade County) reserve the right to have this product or material tested for quality assurance purposes. If this product or material fails to perform in the accepted manner, the manufacturer will incur the expense of such testing and the AHJ may immediately revoke, modify, or suspend the use of such product or material within their jurisdiction. RER reserves the right to revoke this acceptance if it is determined by Miami-Dade County Product Control Section that this product or material fails to meet the requirements of the applicable building code.

This product is approved as described herein and has been designed to comply with the High Velocity Hurricane Zone of the Florida Building Code.

DESCRIPTION: "Superlok-16 " (0.024" min.) Structural Galvalume Coated Standing Seam Roof Panel

APPROVAL DOCUMENT: Drawing No. none, titled " Superlok Panel Detail", sheets 1 through 7, prepared by NCI Group, Inc., dated December 28, 2023, signed and sealed by Lisa Marie Reimert, P.E., on December 28, 2023, bearing the Miami-Dade County Product Control Revision stamp with the Notice of Acceptance number and the expiration date by the Miami-Dade County Product Control Section.

MISSILE IMPACT RATING: Large and Small Missile Impact Resistant

LABELING: Each panel shall bear a permanent label with the manufacturer's name or logo, city, state and the following statement: "Miami-Dade County Product Control Approved", unless otherwise noted herein.

RENEWAL of this NOA shall be considered after a renewal application has been filed and there has been no change in the applicable building code negatively affecting the performance of this product.

TERMINATION of this NOA will occur after the expiration date or if there has been a revision or change in the materials, use, and/or manufacture of the product or process. Misuse of this NOA as an endorsement of any product, for sales, advertising or any other purposes shall automatically terminate this NOA. Failure to comply with any section of this NOA shall be cause for termination and removal of NOA.

ADVERTISEMENT: The NOA number preceded by the words Miami-Dade County, Florida, and followed by the expiration date may be displayed in advertising literature. If any portion of the NOA is displayed, then it shall be done in its entirety.

INSPECTION: A copy of this entire NOA shall be provided to the user by the manufacturer or its distributors and shall be available for inspection at the job site at the request of the Building Official.

This NOA **revises and renews** NOA #22-1027.06 and consists of this page 1, evidence submitted pages E-1, E-2, E-3, E-4, E-5 & E-6 as well as approval document mentioned above.

The submitted documentation was reviewed by **Helmy A. Makar, P.E., M.S.**



Handwritten signature: Helmy A. Makar
11/07/24

NOA No. 23-1012.06
Expiration Date: 12/10/2028
Approval Date: 11/07/2024
Page 1

NCI Group, Inc.

NOTICE OF ACCEPTANCE: EVIDENCE SUBMITTED

1. EVIDENCE SUBMITTED UNDER PREVIOUS APPROVAL # 98-0529.06

A. DRAWINGS

1. *Drawing No. SL, titled "Superlok Details", prepared by Terrence E. Wolfe, P.E., dated March 25, 1998, last revision #2 dated September 28, 1998, sheets 1, 2, 3, 4, 5, 6, and 7, signed and sealed by Terrence E. Wolfe, P.E.*

B. TESTS

1. *Test report on Large Missile Impact Test, PA 201, on 24 ga. Superlok Roof Panel, prepared by Farabaugh Engineering and Testing, Inc., Report No. FET98001-T107-98, dated 02/12/98, signed and sealed by Daniel G. Farabaugh, P.E.*
2. *Test report on Uniform Static Air Pressure, ASTM 1592-95, on 24 ga. Superlok Roof Panel, prepared by Farabaugh Engineering and Testing, Inc., Report No. FET97005-T167-97, dated 11/26/97, signed and sealed by Daniel G. Farabaugh, P.E.*
3. *Susceptibility to leakage test in accordance with Miami-Dade County Protocol PA 114 Appendix G on 24 ga. Superlok Roof Panel, prepared by Celotex, Report No. 258444 CAE 97129, dated May 1 thru 8, 1998, signed and sealed by R. G. Miller, P.E.*
4. *Wind Driven Rain Test in accordance with Miami-Dade County Protocol PA 100-95 on 24 ga. Superlok Roof Panel, prepared by Celotex, Report No. 258444A CAE 97193, dated March 10, 1998, signed and sealed by R. G. Miller, P.E.*

C. CALCULATIONS

1. *Calculations titled "Superlok - 24 ga", dated 05/26/98, pages 1 and 2, prepared Terrence E. Wolfe, P.E., signed and sealed by Terrence E. Wolfe P.E.*

D. MATERIAL CERTIFICATIONS

1. *Mill Certified Test Report issued by Bethlehem Steel Corporation, dated 06/22/98, with chemical composition and mechanical properties of galvalume painted structural steel coils ASTM A792-96 SS Grade 50B.*
2. *Tensile Test File No. WP-9048 Report No. 055, prepared by West Penn Testing Laboratories, Inc., dated 12/12/97, signed Todd A. Ault (M.E.T.).*

2. EVIDENCE SUBMITTED UNDER PREVIOUS APPROVAL # 01-0814.04

A. DRAWINGS

1. *None.*

B. TESTS

1. *None.*

C. CALCULATIONS

1. *None.*



Helmy A. Makar, P.E., M.S.
Product Control Section Supervisor
NOA No. 23-1012.06
Expiration Date: 12/10/2028
Approval Date: 11/07/2024

NCI Group, Inc.

NOTICE OF ACCEPTANCE: EVIDENCE SUBMITTED

D. MATERIAL CERTIFICATIONS

1. *None.*

3. EVIDENCE SUBMITTED UNDER PREVIOUS APPROVAL #06-0612.02

A. DRAWINGS

1. *None.*

B. TESTS

1. *None.*

C. CALCULATIONS

1. *None.*

D. QUALITY ASSURANCE

1. *By Miami-Dade County Building Code Compliance Office.*

E. MATERIAL CERTIFICATIONS

1. *None.*

4. EVIDENCE SUBMITTED UNDER PREVIOUS APPROVAL # 07-1025.04

A. DRAWINGS

1. *None.*

B. TESTS

1. *Test report on Large Missile Impact Test, PA 201, on 24 ga. Superlok Roof Panel, prepared by Farabaugh Engineering and Testing, Inc., Report No. FET98001-T107-98, dated 02/12/98, signed and sealed by Daniel G. Farabaugh, P.E.*
2. *Test report on Uniform Static Air Pressure, ASTM 1592-95, on 24 ga. Superlok Roof Panel, prepared by Farabaugh Engineering and Testing, Inc., Report No. FET97005-T167-97, dated 11/26/97, signed and sealed by Daniel G. Farabaugh, P.E.*
3. *Susceptibility to leakage test in accordance with Miami-Dade County Protocol PA 114 Appendix G on 24 ga. Superlok Roof Panel, prepared by Celotex, Report No. 258444 CAE 97129, dated May 1 thru 8, 1998, signed and sealed by R. G. Miller, P.E.*
4. *Wind Driven Rain Test in accordance with Miami-Dade County Protocol PA 100-95 on 24 ga. Superlok Roof Panel, prepared by Celotex, Report No. 258444A CAE 97193, dated March 10, 1998, signed and sealed by R. G. Miller, P.E.*


Helmy A. Makar, P.E., M.S.

Product Control Section Supervisor
NOA No. 23-1012.06
Expiration Date: 12/10/2028
Approval Date: 11/07/2024

NCI Group, Inc.

NOTICE OF ACCEPTANCE: EVIDENCE SUBMITTED

C. CALCULATIONS

1. *None.*

D. QUALITY ASSURANCE

1. *By Miami-Dade County Building Code Compliance Office.*

E. MATERIAL CERTIFICATIONS

1. *None.*

5. EVIDENCE SUBMITTED UNDER PREVIOUS APPROVAL # 11-0810.06

A. DRAWINGS

1. *Drawing No. none, titled " Superlok Panel Detail", sheets 1 through 7, prepared by NCI Group, Inc., dated July 27, 2011, signed and sealed by Mark Detwiler, P.E., on July 27, 2011.*

B. TESTS

1. *None.*

C. CALCULATIONS

1. *None.*

D. QUALITY ASSURANCE

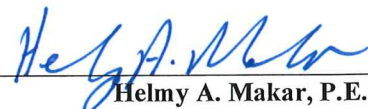
1. *By Miami-Dade County Department of Permitting, Environment, and Regulatory Affairs.*

E. MATERIAL CERTIFICATIONS

1. *None.*

F. OTHERS

1. *Bill of Sale.*



Helmy A. Makar, P.E., M.S.
Product Control Section Supervisor
NOA No. 23-1012.06
Expiration Date: 12/10/2028
Approval Date: 11/07/2024

NCI Group, Inc.

NOTICE OF ACCEPTANCE: EVIDENCE SUBMITTED

6. EVIDENCE SUBMITTED UNDER PREVIOUS APPROVAL # 12-0123.07

A. DRAWINGS

1. *Drawing No. none, titled "Superlok Panel Detail", sheets 1 through 7, prepared by NCI Group, Inc., dated June 06, 2012, signed and sealed by Mark Detwiler, P.E.*

B. TESTS

1. *Test report on Uniform Static Air Pressure, ASTM 1592-95, on 24 ga. Superlok Roof Panel, prepared by Force Engineering & Testing, Inc., Report No. 07-0212T-07A, B, dated 07/10/2007, signed and sealed by Terrence E. Wolfe, P.E.*

C. CALCULATIONS

1. *None.*

D. QUALITY ASSURANCE

1. *By Miami-Dade County Department of Regulatory and Economic Resources.*

E. MATERIAL CERTIFICATIONS

1. *None.*

7. EVIDENCE SUBMITTED UNDER PREVIOUS APPROVAL # 17-0626.04

A. DRAWINGS

1. *Drawing No. none, titled "Superlok Panel Detail", sheets 1 through 7, prepared by NCI Group, Inc., dated August 01, 2017, signed and sealed by Mark Detwiler, P.E., on August 01, 2017.*

B. TESTS

1. *None.*

C. CALCULATIONS

1. *None.*

D. QUALITY ASSURANCE

1. *By Miami-Dade County Department of Regulatory and Economic Resources.*

E. MATERIAL CERTIFICATIONS

1. *None.*

F. STATEMENTS

1. *FBC, 2014 Edition Compliance Letter prepared by NCI Group, Inc., dated August 08, 2017, signed and sealed by Jason Allen, P.E.*


Helmy A. Makar, P.E., M.S.

Product Control Section Supervisor

NOA No. 23-1012.06

Expiration Date: 12/10/2028

Approval Date: 11/07/2024

NCI Group, Inc.

NOTICE OF ACCEPTANCE: EVIDENCE SUBMITTED

8. EVIDENCE SUBMITTED UNDER PREVIOUS APPROVAL # 18-0312.09

A. DRAWINGS

1. *Drawing No. none, titled " Superlok Panel Detail", sheets 1 through 7, prepared by NCI Group, Inc., dated February 23, 2018, signed and sealed by Mark Detwiler, P.E., on February 23, 2018.*

B. TESTS

1. *None.*

C. CALCULATIONS

1. *None.*

D. QUALITY ASSURANCE

1. *By Miami-Dade County Department of Regulatory and Economic Resources.*

E. MATERIAL CERTIFICATIONS

1. *None.*

F. STATEMENTS

1. *FBC, 2017 Edition Compliance Letter prepared by NCI Group, Inc., dated February 23, 2018, signed and sealed by Mark Detwiler, P.E.*

9. EVIDENCE SUBMITTED UNDER PREVIOUS APPROVAL #21-0615.05

A. DRAWINGS

1. *Drawing No. none, titled " Superlok Panel Detail", sheets 1 through 7, prepared by NCI Group, Inc., dated June 10, 2021, signed and sealed by Mark Detwiler, P.E., on June 10, 2021.*

B. TESTS

1. *None.*

C. CALCULATIONS

1. *None.*

D. QUALITY ASSURANCE

1. *By Miami-Dade County Department of Regulatory and Economic Resources.*

E. MATERIAL CERTIFICATIONS

1. *None.*

F. STATEMENTS

1. *FBC, 2020 Edition Compliance Letter prepared by NCI Group, Inc., dated June 10, 2021, signed and sealed by Mark Detwiler, P.E.*



Helmy A. Makar, P.E., M.S.
Product Control Section Supervisor

NOA No. 23-1012.06

Expiration Date: 12/10/2028

Approval Date: 11/07/2024

NCI Group, Inc.

NOTICE OF ACCEPTANCE: EVIDENCE SUBMITTED

10. EVIDENCE SUBMITTED UNDER PREVIOUS APPROVAL #22-1027.06

A. DRAWINGS

1. *None.*

B. TESTS

1. *None.*

C. CALCULATIONS

1. *None.*

D. QUALITY ASSURANCE

1. *By Miami-Dade County Department of Regulatory and Economic Resources.*

E. MATERIAL CERTIFICATIONS

1. *None.*

F. STATEMENTS

1. *FBC, 2020 Edition Compliance Letter prepared by NCI Group, Inc., dated June 10, 2021, signed and sealed by Mark Detwiler, P.E.*

11. NEW EVIDENCE SUBMITTED

A. DRAWINGS

1. *Drawing No. none, titled " Superlok Panel Detail", sheets 1 through 7, prepared by NCI Group, Inc., dated December 28, 2023, signed and sealed by Lisa Marie Reimert, P.E., on December 28, 2023.*

B. TESTS

1. *None.*

C. CALCULATIONS

1. *None.*

D. QUALITY ASSURANCE

1. *By Miami-Dade County Department of Regulatory and Economic Resources.*

E. MATERIAL CERTIFICATIONS

1. *None.*

F. STATEMENTS

1. *FBC, 2023 Edition Compliance Letter prepared by Cornerstone Building Brands, dated April 11, 2024, signed and sealed by Lisa Marie Reimert, P.E.*



Helmy A. Makar, P.E., M.S.
Product Control Section Supervisor

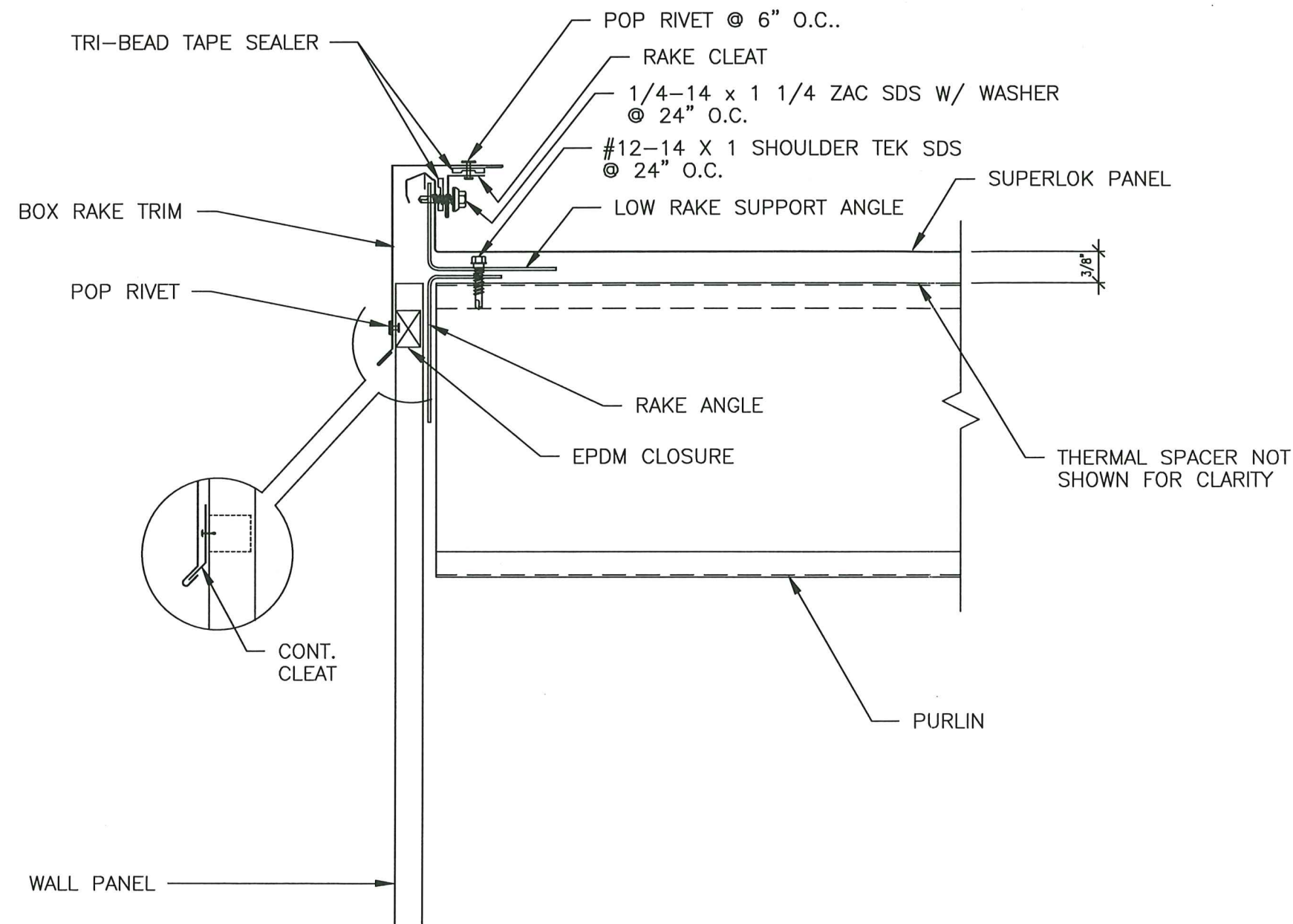
NOA No. 23-1012.06

Expiration Date: 12/10/2028

Approval Date: 11/07/2024

TYPICAL DETAILS

RAKE



CROSS SECTION OF RAKE

Revision	Date	Description	By	Ch'd

NCI GROUP, INC.
 CORPORATE OFFICES: 7301 FAIRVIEW DR. HOUSTON TX 77041 (800) 777-0278
 MAILING: P.O. BOX 16222 HOUSTON TX 77240-0222

Project Name and Location:
 DADE COUNTY PRODUCT APPROVAL
 DADE COUNTY, FLORIDA

SHEET TITLE:
 SUPERLOK PANEL DETAIL

Scale: NOT TO SCALE

Drawn by: EH

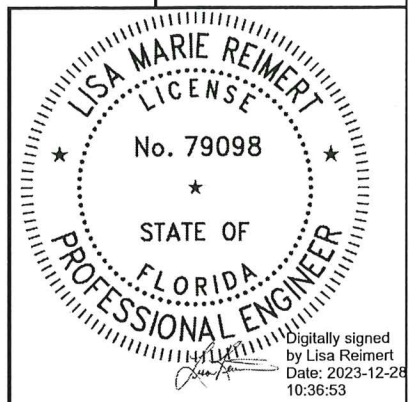
Checked by: JA

Job Number:

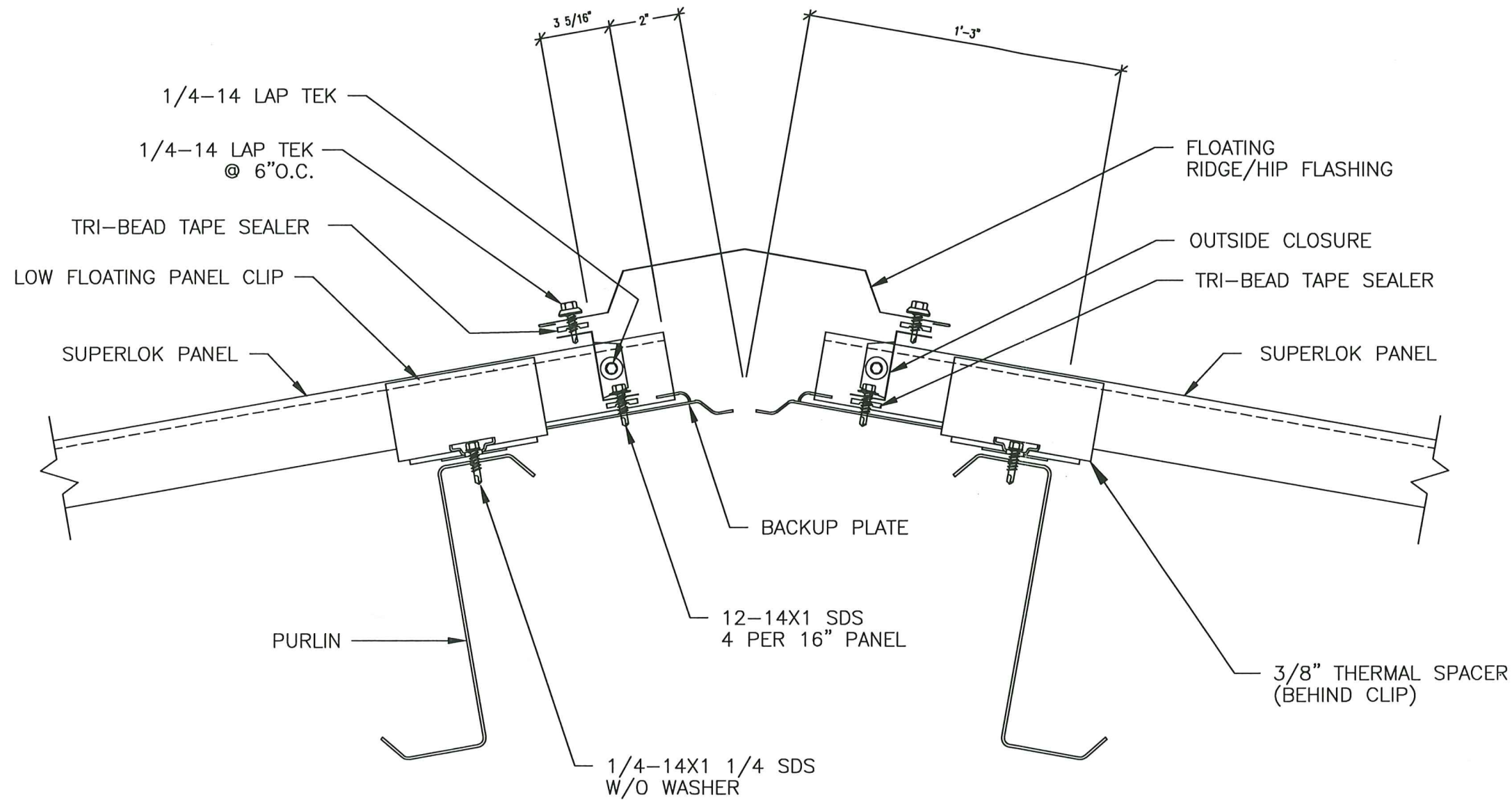
Sheet Number: 2 OF 7

THESE DRAWINGS AND THE METAL COMPONENTS THEY REPRESENT ARE THE PRODUCT OF NCI GROUP OR ANOTHER DIVISION OR AFFILIATE OF NCI GROUP, INC. - 7301 FAIRVIEW DR. HOUSTON TX 77041. THE ENGINEER WHOSE SEAL APPEARS HEREON IS EMPLOYED BY NCI GROUP OR ANOTHER DIVISION OR AFFILIATE OF NCI GROUP, INC. AND IS NOT THE ENGINEER OF RECORD FOR THIS PROJECT. THESE DRAWINGS MUST BE REVIEWED FOR PROJECT COMPLIANCE BY THE ENGINEER OF RECORD.

PRODUCT REVISED
 as complying with the Florida Building Code
 Acceptance No. 23-1012.06
 Expiration Date 12/10/2028
 By *Haley A. Miller*
 Miami Dade Product Control

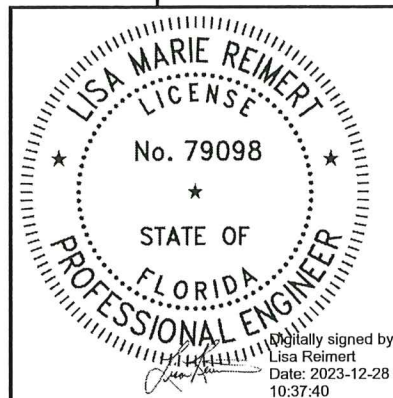


TYPICAL DETAILS RIDGE



CROSS SECTION OF RIDGE

PRODUCT REVISED
 as complying with the Florida
 Building Code
 Acceptance No. **23-1012.06**
 Expiration Date **12/10/2025**
 By *Hedy A. Malon*
 Miami Dade Product Control



Revision	Date	Description	By	Ch'd

Scale: NOT TO SCALE
 Drawn by: EH
 Checked by: JA
 Job Number:
 Sheet Number: 3 OF 7

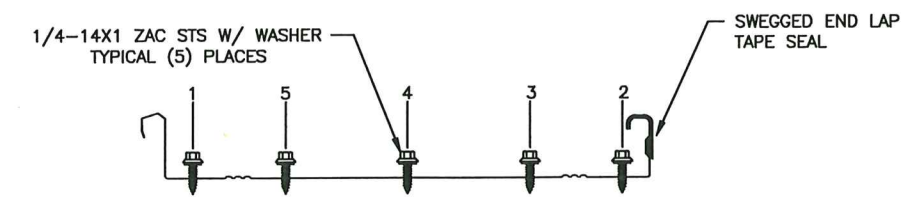
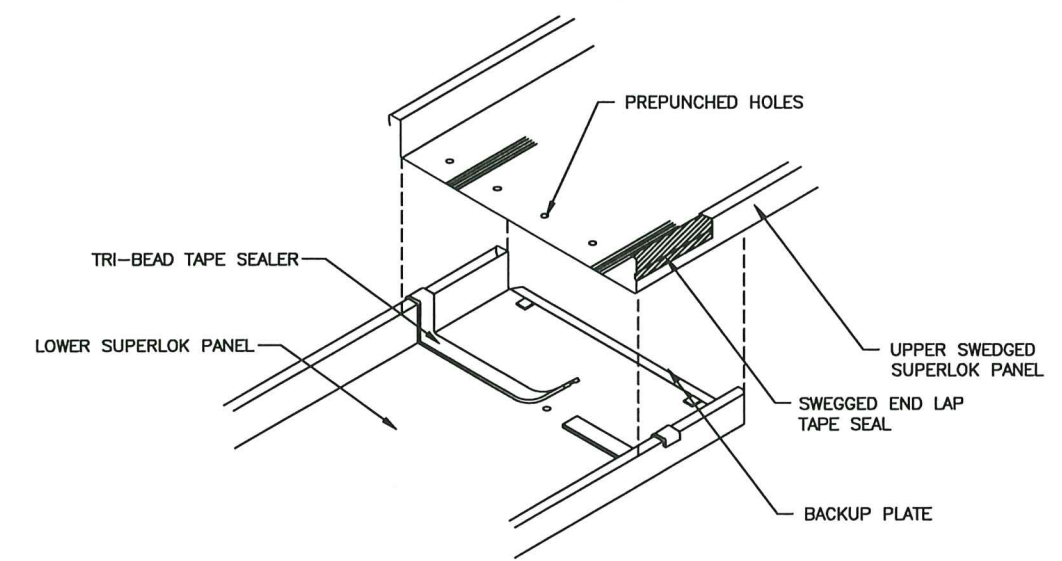
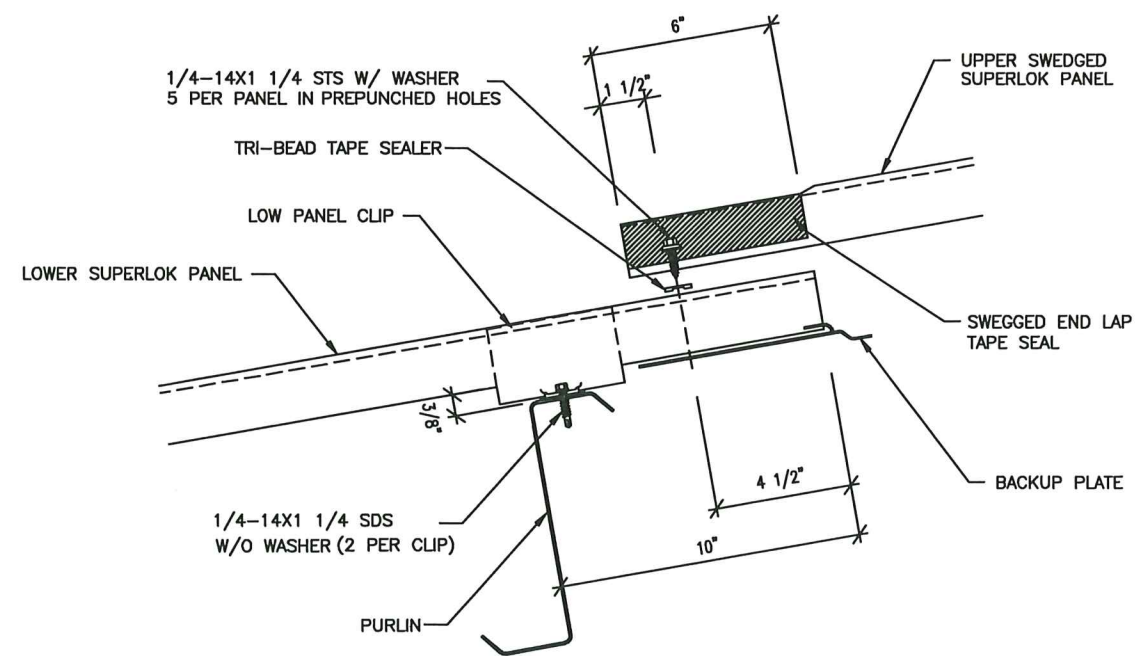
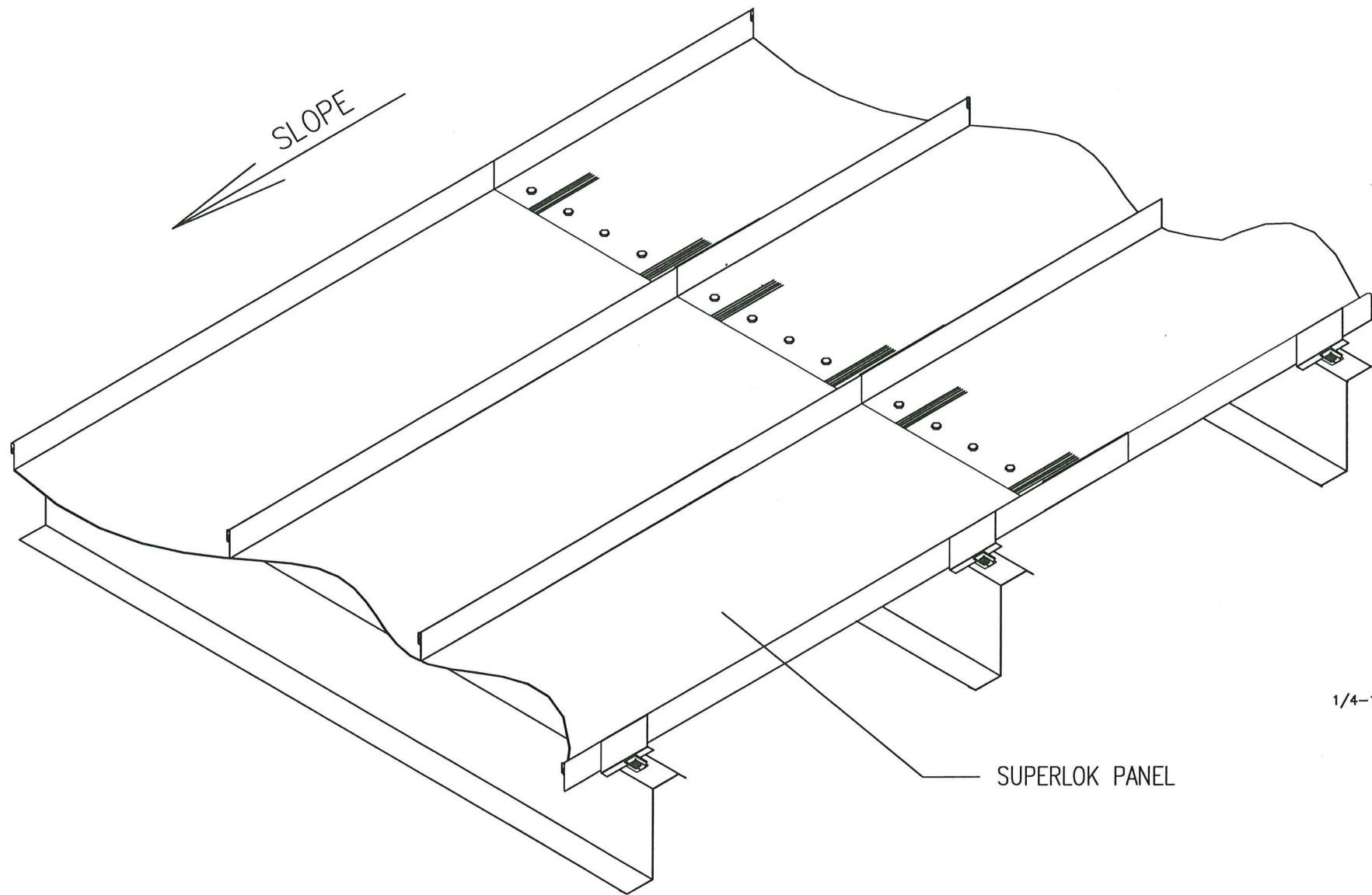
THESE DRAWINGS AND THE METAL COMPONENTS THEY REPRESENT ARE THE PRODUCT OF NCI GROUP OR ANOTHER DIVISION OR AFFILIATE OF NCI GROUP, INC. - 7301 FARVIEW DR. HOUSTON TX 77041. THE ENGINEER WHOSE SEAL APPEARS HEREON IS EMPLOYED BY NCI GROUP OR ANOTHER DIVISION OR AFFILIATE OF NCI GROUP, INC. AND IS NOT THE ENGINEER OF RECORD FOR THIS PROJECT. THESE DRAWINGS MUST BE REVIEWED FOR PROJECT COMPLIANCE BY THE ENGINEER OF RECORD.

NCI GROUP, INC.
 CORPORATE OFFICES: 7301 FARVIEW DR. HOUSTON TX 77041 (800) 777-8378
 MAILING: P.O. BOX 40220 HOUSTON TX 77240-0220

Project Name and Location:
 DADE COUNTY PRODUCT APPROVAL
 DADE COUNTY, FLORIDA

SHEET TITLE:
 SUPERLOK PANEL DETAIL

TYPICAL DETAILS PANEL LAPS



FASTENER INSTALLATION SEQUENCE

PRODUCT REVISED
as complying with the Florida:
Building Code
Acceptance No. 23-1012.06
Expiration Date 12/19/2024
By *Helen A. Miller*
Miami Dade Product Control

CR'd	By	Description	Date	Revision

ncg GROUP, INC.
CORPORATE OFFICES: 7301 FAIRVIEW DR., HOUSTON, TX 77041 (800) 777-0378
MIAMI: P.O. BOX 10220 HOUSTON, TX 77240-0220

Project Name and Location:
DADE COUNTY PRODUCT APPROVAL
DADE COUNTY, FLORIDA

SHEET TITLE:
SUPERLOK PANEL DETAIL

Scale: NOT TO SCALE
Drawn by: EH
Checked by: JA
Job Number:
Sheet Number: 5 OF 7

THESE DRAWINGS AND THE METAL COMPONENTS THEY REPRESENT ARE THE PRODUCT OF NCI GROUP OR ANOTHER DIVISION OR AFFILIATE OF NCI GROUP, INC. - 7301 FAIRVIEW DR., HOUSTON TX 77041. THE ENGINEER WHOSE SEAL APPEARS HEREON IS EMPLOYED BY NCI GROUP OR ANOTHER DIVISION OR AFFILIATE OF NCI GROUP, INC. AND IS NOT THE ENGINEER OF RECORD FOR THIS PROJECT. THESE DRAWINGS MUST BE REVIEWED FOR PROJECT COMPLIANCE BY THE ENGINEER OF RECORD.

