



DEPARTMENT OF REGULATORY AND ECONOMIC RESOURCES (RER)
 BOARD AND CODE ADMINISTRATION DIVISION
NOTICE OF ACCEPTANCE (NOA)

E.S. Windows, LLC
 3550 NW 49 Street
 Miami, FL.33142

SCOPE:

This NOA is being issued under the applicable rules and regulations governing the use of construction materials. The documentation submitted has been reviewed and accepted by Miami-Dade County RER -Product Control Section to be used in Miami Dade County and other areas where allowed by the Authority Having Jurisdiction (AHJ).

This NOA shall not be valid after the expiration date stated below. The Miami-Dade County Product Control Section (In Miami Dade County) and/or the AHJ (in areas other than Miami Dade County) reserve the right to have this product or material tested for quality assurance purposes. If this product or material fails to perform in the accepted manner, the manufacturer will incur the expense of such testing and the AHJ may immediately revoke, modify, or suspend the use of such product or material within their jurisdiction. RER reserves the right to revoke this acceptance, if it is determined by Miami-Dade County Product Control Section that this product or material fails to meet the requirements of the applicable building code.

This product is approved as described herein and has been designed to comply with the Florida Building Code, including the High Velocity Hurricane Zone.

DESCRIPTION: Series “6100” Aluminum Sliding Glass Doors (Dry glazed) w/ reinforcements-S.M.I.

APPROVAL DOCUMENT: Drawing No. **W12-33 Rev I**, titled “Series -6100 Alum Sliding Glass Door (SMI)”, sheets 1, 2, 3, 3.1, 3.2, 4, 5, 5.1, 6 through 12 of 12, prepared by Al-Farooq Corporation, dated JUN 19, 2012 and last revised on JUL 17, 2023, signed and sealed by Jalal Farooq, P.E., bearing the Miami-Dade County Product Control Renewal stamp with the Notice of Acceptance number and expiration date by the Miami-Dade County Product Control Section.

MISSILE IMPACT RATING: Small Missile Impact Resistant

Limitations:

1. See Design Pressures (DP) Vs reinforcement & glazing options charts in sheets **3, 3.1, 3.2, 4 & 5**. See approved configurations in sheet 2.
2. See anchors capacity charts in sheet **5 & 5.1**. Lower DP shall control of the charts in sheets **3 thru 5.1**.

LABELING: Each unit shall bear a permanent label with the manufacturer's name or logo, **Barranquilla, Columbia, S.A.** and series and following statement: "Miami-Dade County Product Control Approved", noted herein.

RENEWAL of this NOA shall be considered after a renewal application has been filed and there has been no change in the applicable building code negatively affecting the performance of this product.

TERMINATION of this NOA will occur after the expiration date or if there has been a revision or change in the materials, use, and/or manufacture of the product or process. Misuse of this NOA as an endorsement of any product, for sales, advertising or any other purposes shall automatically terminate this NOA. Failure to comply with any section of this NOA shall be cause for termination and removal of NOA.

ADVERTISEMENT: The NOA number preceded by the words Miami-Dade County, Florida, and followed by the expiration date may be displayed in advertising literature. If any portion of the NOA is displayed, then it shall be done in its entirety.

INSPECTION: A copy of this entire NOA shall be provided to the user by the manufacturer or its distributors and shall be available for inspection at the job site at the request of the Building Official.

This NOA **renews** NOA #**23-0724.14** consists of this page 1 and evidence pages E-1, E2, E-3, E-4, E-5 and E-6, as well as approval document mentioned above.

The submitted documentation was reviewed by **Ishaq I. Chanda, P.E.** *Ishaq I. Chanda*



NOTICE OF ACCEPTANCE: EVIDENCE SUBMITTED

1. Evidence submitted under previous NOAs

A. DRAWINGS

1. Manufacture's die drawings and sections (see files below).
2. Drawing No. **W12-33 Rev E**, titled "Series -6100 Alum Sliding Glass Door (SMI)", sheets 1 through 12 of 12, prepared by Al-Farooq Corporation, dated JUN 19, 2012 and last revised on 03/08/16, signed and sealed by Javad Ahmad, P.E.

B. TESTS (Submitted under files #14-0428.23/#13-1007.03/#13-0226.05/#12-0620.01/#09-1217.02)

1. Test reports on:
 - 1) Air Infiltration Test, per FBC, TAS 202-94
 - 2) Uniform Static Air Pressure Test, Loading per FBC TAS 202-94
 - 3) Water Resistance Test, per FBC, TAS 202-94
 - 4) Large Missile Impact Test per FBC, TAS 201-94
 - 5) Cyclic Wind Pressure Loading per FBC, TAS 203-94
 - 6) Forced Entry Test, per FBC 2411 3.2.1, TAS 202-94

along with marked-up drawings and installation diagram of OX aluminum sliding glass door, prepared by Fenestration Testing Laboratories, Inc., Test Report No. **FTL -7572**, dated 11/03/13, signed and sealed by Marlin D. Brinson, P. E.

along with marked-up drawings and installation diagram of OXXX aluminum sliding glass door, prepared by, prepared by Fenestration Testing Laboratories, Test Report No. **FTL- 6293 (FTL 10063)**, dated 10/15/10 and **FTL- 5669 (FTL 08057)**, signed and sealed by Jorge A. Causo, P.E. and Michael Wenzel, P.E. respectively.

2. Additional Test reports on (Submitted under files #07-0828.08)

- 1) Air Infiltration Test, per FBC, TAS 202-94
- 2) Uniform Static Air Pressure Test, Loading per FBC TAS 202-94
- 3) Water Resistance Test, per FBC, TAS 202-94
- 4) Large Missile Impact Test per FBC, TAS 201-94
- 5) Cyclic Wind Pressure Loading per FBC, TAS 203-94
- 6) Forced Entry Test, per FBC 2411 3.2.1, TAS 202-94

along with marked-up drawings and installation diagram of OXXX aluminum sliding glass door, prepared by, prepared by Fenestration Testing Laboratories, Test Report No. **FTL- 6293 (FTL 10063)**, dated 10/15/10 and **FTL- 5669 (FTL 08057)**, signed and sealed by Jorge A. Causo, P.E. and Michael Wenzel, P.E.

C. CALCULATIONS

1. Anchor verification calculations and structural analysis, complying with FBC-2014(5th Edition), prepared by Al Farooq Corporation, dated AUG 13, 2015 and last revised on MAR 07, 2016, signed and sealed by Javad Ahmad, P.E.
2. Glazing complies w/ ASTME-1300-02, -04 & -09.

Ishaq I. Chanda

Ishaq I. Chanda, P.E.
Product Control Unit Supervisor
NOA No. 24-0312.02
Expiration Date: September 05, 2029
Approval Date: May 09, 2024

NOTICE OF ACCEPTANCE: EVIDENCE SUBMITTED

D. QUALITY ASSURANCE

Miami Dade Department of Regulatory and Economic Resources (RER).

E. MATERIAL CERTIFICATIONS

1. NOA No. **14-0916.11** issued to Kuraray America, Inc. (former E.I. DuPont DeNemours & Co., Inc.) for the “**Sentry Glass ® Interlayer**”, expiring on 07/4/17.
2. NOA No. **14-0916.10** issued to Kuraray America, Inc. (former E.I. DuPont DeNemours & Co., Inc.) for “**Kuraray Butacite PVB Interlayer**”, expiring on 12/11/16.
3. Technical cut sheet data for EPDM, rubber compound by Solucionesencaucho, Columbia.

F. STATEMENTS

1. Statement letter of conformance to FBC 2014 (5th Edition) and letter of no financial interest, prepared by Al Farooq Corporation, dated 08/13/15, signed and sealed by Javad Ahmad, P.E.
2. Lab compliance as part of the above referenced test report.

Ishaq I. Chanda

Ishaq I. Chanda, P.E.
Product Control Unit Supervisor
NOA No. 24-0312.02
Expiration Date: September 05, 2029
Approval Date: May 09, 2024

NOTICE OF ACCEPTANCE: EVIDENCE SUBMITTED

2. Evidence submitted under previous approval.

A. DRAWINGS

1. Drawing No. **W12-33** titled “Series -6100 Alum Sliding Glass Door (SMI)”, sheets 1, 2, 3, 3.1, 4, 5, 5.1, 6 through 12 of 12, prepared by Al-Farooq Corporation, dated 06/19/12 with revision **G** dated on 03/09/18, signed and sealed by Javad Ahmad, P.E.

B. TESTS

1. Test reports on:
 - 1) Uniform Static Air Pressure Test, Loading per FBC TAS 202-94
 - 2) Water Resistance Test, per FBC, TAS 202-94
 - 3) Small Missile Impact Test per FBC, TAS 201-94
 - 4) Cyclic Wind Pressure Loading per FBC, TAS 203-94
 - 5) Forced Entry Test, per FBC 2411 3.2.1, TAS 202-94

along with marked-up drawings and installation diagram of aluminum sliding glass door, prepared by Fenestration Testing Lab, Inc., Test Report No. **FTL-8721**, dated 03/08/17, signed and sealed by Idalmis Ortega, P. E.

C. CALCULATIONS

1. Anchor verification calculations complying with FBC2017 (6th Edition), prepared by Al Farooq Corporation, dated 01/19/2018, signed and sealed by Javad Ahmad, P.E.

D. QUALITY ASSURANCE

1. Miami Dade Department of Regulatory and Economic Resources (RER).

E. MATERIAL CERTIFICATIONS

1. NOA No. **17-0808.02** issued to Kuraray America, Inc. (former E.I. DuPont DeNemours & Co., Inc.) for the “**Sentry Glass ® Interlayer**”, expiring on 07/04/23.
2. NOA No. **19-0305.02** issued to Kuraray America, Inc. (former E.I. DuPont DeNemours & Co., Inc.) for “**Kuraray Trosifol PVB Interlayer**”, expiring on 07/08/24.

F. STATEMENTS

1. Statement letter of conformance to **FBC 6th Edition (2017)** and of no financial interest, prepared by Al-Farooq Corporation, dated 01/19/2018, signed and sealed by Javad Ahmad, P.E.

G. OTHER

1. This NOA **revises & renews NOA # 15-0430.03**, expiring 06/14/2018.

Ishaq I. Chanda

Ishaq I. Chanda, P.E.
Product Control Unit Supervisor
NOA No. 24-0312.02
Expiration Date: September 05, 2029
Approval Date: May 09, 2024

NOTICE OF ACCEPTANCE: EVIDENCE SUBMITTED

3. Evidence submitted.

A. DRAWINGS

1. Drawing No. **W12-33 Rev H**, titled “Series -6100 Alum Sliding Glass Door (SMI)”, sheets 1, 2, 3, 3.1, 3.2, 4, 5, 5.1, 6 through 12 of 12, prepared by Al-Farooq Corporation, dated JUN 19, 2012 and last revised on DEC 01, 2021, signed and sealed by Jalal Farooq, P.E.

B. TESTS

1. Test reports on:
 - 1) Uniform Static Air Pressure Test, Loading per FBC TAS 202-94
 - 2) Water Resistance Test, per FBC, TAS 202-94
 - 3) Small Missile Impact Test per FBC, TAS 201-94
 - 4) Cyclic Wind Pressure Loading per FBC, TAS 203-94
 - 5) Forced Entry Test, per FBC 2411 3.2.1, TAS 202-94

along with marked-up drawings and installation diagram of aluminum sliding glass door, prepared by Blackwater Testing Lab, Inc., Test Report No. **BT-GMP-19-012**, dated 09/19/2019, signed and sealed by Constantin Bortes, P. E.

C. CALCULATIONS

1. Anchor verification calculations complying with FBC2020 (7th Edition), prepared by Al Farooq Corporation, dated 05/17/2021, signed and sealed by Jalal Farooq, P.E.

D. QUALITY ASSURANCE

1. Miami Dade Department of Regulatory and Economic Resources (RER).

E. MATERIAL CERTIFICATIONS

1. NOA No. **17-0808.02** issued to Kuraray America, Inc. (former E.I. DuPont DeNemours & Co., Inc.) for the “**Sentry Glass ® Interlayer**”, expiring on 07/04/23.
2. NOA No. **19-0305.02** issued to Kuraray America, Inc. (former E.I. DuPont DeNemours & Co., Inc.) for “**Kuraray Trosifol PVB Interlayer**”, expiring on 07/08/24.

F. STATEMENTS

1. Statement letter of conformance to **FBC 7th Edition (2020)** and of no financial interest, prepared by Al-Farooq Corporation, dated 05/17/2021, signed and sealed by Jalal Farooq, P.E.
2. Statement letter dated DEC 08, 2021 issued by GMP Consulting & Contractors, Inc. authorizing ES winows, Inc. use of test report BT-GMP-19-012, signed by Nicholas Abuchaibe, CFO.

G. OTHER

1. This NOA **revises NOA # 16-1130.04**, expiring 09/05/2024.
2. Distribution agreement between Energia Solar, S.A.-ES Windows and ES Windows, LLC, dtd 08/03/15, signed by Ms. Carla Garcia (MGR) and Andres Chamorro (Gen. MGR) respectively (original copy in various ES approved NOA(s) files)
3. Reference Test report Bt-GMP-021.

Ishaq I. Chanda

Ishaq I. Chanda, P.E.
Product Control Unit Supervisor
NOA No. 24-0312.02
Expiration Date: September 05, 2029
Approval Date: May 09, 2024

NOTICE OF ACCEPTANCE: EVIDENCE SUBMITTED

4. Evidence submitted under previous approval.

A. DRAWINGS

1. Drawing No. **W12-33 Rev I**, titled “Series -6100 Alum Sliding Glass Door (SMI)”, sheets 1, 2, 3, 3.1, 3.2, 4, 5, 5.1, 6 through 12 of 12, prepared by Al-Farooq Corporation, dated JUN 19, 2012 and last revised on JUL 17, 2023, signed and sealed by Jalal Farooq, P.E.

B. TESTS

1. None.

C. CALCULATIONS

1. None.

D. QUALITY ASSURANCE

1. Miami Dade Department of Regulatory and Economic Resources (RER).

E. MATERIAL CERTIFICATIONS

1. Notice of Acceptance No. **20-0915.22** issued to **Kuraray America, Inc.** for their “**Trosifol® Ultraclear, Clear and Color PVB Glass Interlayers**” dated 11/19/20, expiring on 07/08/24.
2. Notice of Acceptance No. **22-1116.01** issued to **Kuraray America, Inc.** for their “**SentryGlas® (Clear and White) Glass Interlayers**” dated 12/15/22, expiring on 07/04/28.

F. STATEMENTS

1. Statement letter of conformance to FBC 2023 (**8th** Edition), prepared by Al Farooq Corporation, dated 07/19/23, signed and sealed by Jalal Farooq, P.E. (submitted under previous approvals)

G. OTHER

1. This NOA **revises NOA # 21-0628.15** and updates to FBC 2023, expiring 09/05/24.
2. Distribution agreement between ES Windows, LLC (distributor) and Energia Solar, S.A, (manufacturer, dated 08/01/18, signed by MS. Carla Garcia (MGR) and Ms. Evelyn Deas (MGR) respectively (submitted under previous approvals).

Ishaq I. Chanda

Ishaq I. Chanda, P.E.
Product Control Unit Supervisor
NOA No. 24-0312.02
Expiration Date: September 05, 2029
Approval Date: May 09, 2024

NOTICE OF ACCEPTANCE: EVIDENCE SUBMITTED

4. New Evidence submitted.

A. DRAWINGS

1. Drawing No. **W12-33 Rev I**, titled “Series -6100 Alum Sliding Glass Door (SMI)”, sheets 1, 2, 3, 3.1, 3.2, 4, 5, 5.1, 6 through 12 of 12, prepared by Al-Farooq Corporation, dated JUN 19, 2012 and last revised on JUL 17, 2023, signed and sealed by Jalal Farooq, P.E.

B. TESTS

1. None.

C. CALCULATIONS

1. None.

D. QUALITY ASSURANCE

1. Miami Dade Department of Regulatory and Economic Resources (RER).

E. MATERIAL CERTIFICATIONS

2. Notice of Acceptance No. **24-0205.08** issued to **Kuraray America, Inc.** for their “**Trosifol® Ultraclear, Clear and Color PVB Glass Interlayers**”, expiring on 07/08/29.
2. Notice of Acceptance No. **22-1116.01** issued to **Kuraray America, Inc.** for their “**SentryGlas® (Clear and White) Glass Interlayers**” dated 12/15/22, expiring on 07/04/28.

F. STATEMENTS

1. Statement letter of conformance to FBC 2023 (8th Edition), prepared by Al Farooq Corporation, dated 03/07/24, signed and sealed by Jalal Farooq, P.E
2. Statement letter of conformance to FBC 2023 (8th Edition), prepared by Al Farooq Corporation, dated 07/19/23, signed and sealed by Jalal Farooq, P.E. (submitted under previous approvals)

G. OTHER

1. This NOA **renews NOA # 23-0724.14** and updates to FBC 2023, expiring 09/05/29.
2. Distribution agreement between ES Windows, LLC (distributor) and Energia Solar, S.A, (manufacturer, dated 08/01/18, signed by MS. Carla Garcia (MGR) and Ms. Evelyn Deas (MGR) respectively (submitted under previous approvals).

Ishaq I. Chanda

Ishaq I. Chanda, P.E.
Product Control Unit Supervisor
NOA No. 24-0312.02
Expiration Date: September 05, 2029
Approval Date: May 09, 2024

PRODUCT RENEWED
as complying with the Florida
Building Code

NOA-No. 24-0312.02

Expiration Date 09/05/2029

By Ishag I. Chande
Miami-Dade Product Control

ALTERNATE SIZE UNITS:
MAX. FRAME AREA OF DOORS NOT TO EXCEED
MAX. TESTED AREA OF 160 SQ. FT.

DAYLITE OPENINGS:
D.L.O. HEIGHT = PANEL HEIGHT - 7.000"
D.L.O. WIDTH = PANEL WIDTH - 6.937"
PANEL HEIGHT = DOOR FRAME HEIGHT - 1.375"

SERIES-6100 ALUMINUM SLIDING GLASS DOOR

SEE SHEETS 3 THRU 4 FOR DESIGN LOAD CAPACITY OF
DESIRED GLASS SIZE BASED ON APPLICABLE GLASS TYPE
AND REINFORCING OPTION.
USING CHART ON SHEETS 5 & 5.1 SELECT ANCHOR OPTION
WITH DESIGN RATING MORE THAN DESIGN LOADS REQUIRED.
LOWER DESIGN PRESSURES FROM DESIGN LOAD CAPACITY
(REINFORCING OPTION/GLASS TYPE) OR ANCHOR CHARTS
WILL APPLY TO ENTIRE SYSTEM.

THIS PRODUCT HAS BEEN DESIGNED AND TESTED TO COMPLY WITH THE
REQUIREMENTS OF THE 2020 (7TH EDITION)/2023 (8TH EDITION) FLORIDA
BUILDING CODE INCLUDING HIGH VELOCITY HURRICANE ZONE (HVHZ).

1BY OR 2BY WOOD BUCKS & BUCK FASTENERS BY OTHERS, MUST BE
DESIGNED AND INSTALLED ADEQUATELY TO TRANSFER APPLIED PRODUCT
LOADS TO THE BUILDING STRUCTURE.

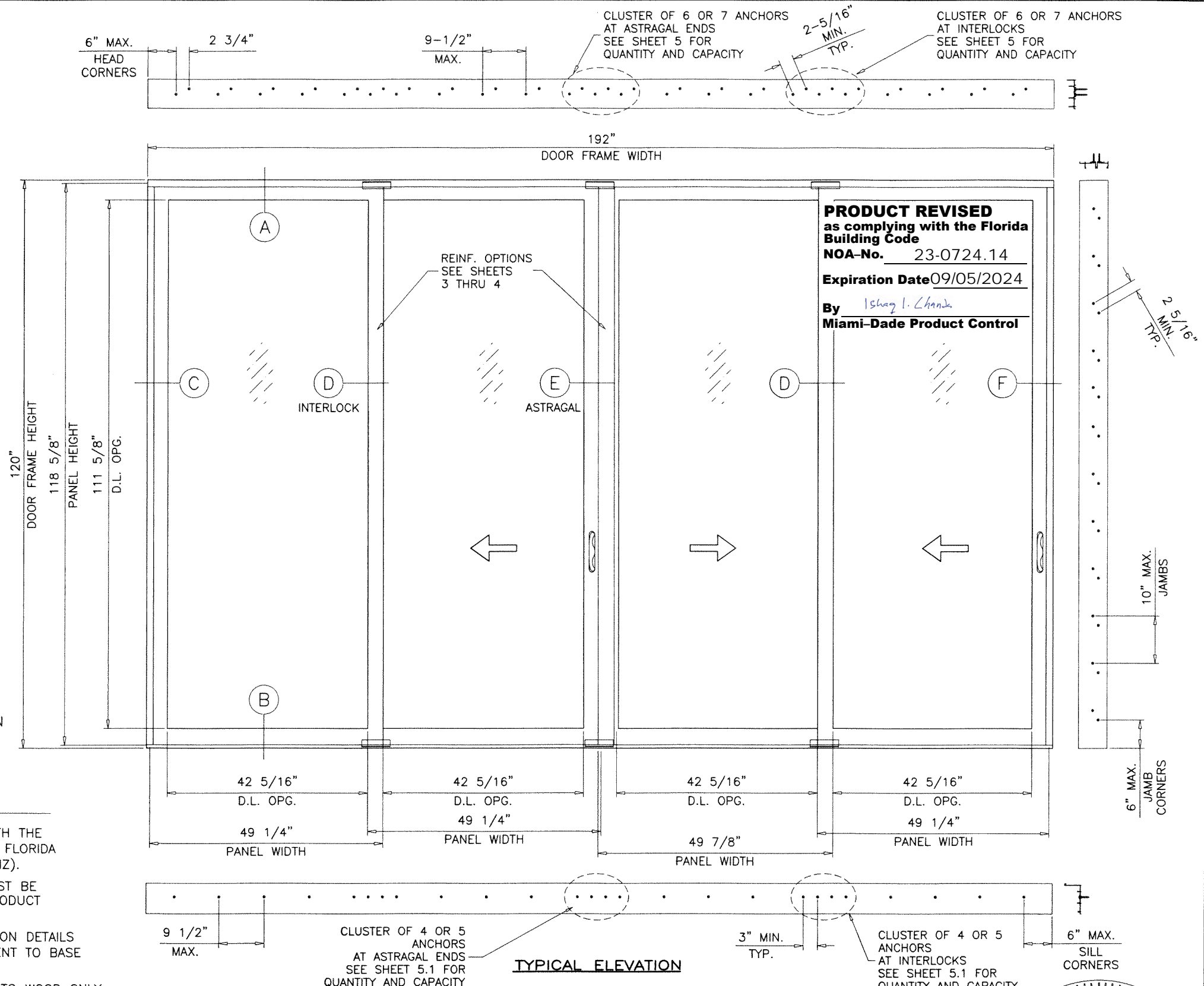
ANCHORS SHALL BE CORROSION RESISTANT, SPACED AS SHOWN ON DETAILS
AND INSTALLED PER MANUF'S INSTRUCTIONS. SPECIFIED EMBEDMENT TO BASE
MATERIAL SHALL BE BEYOND WALL DRESSING OR STUCCO.

A LOAD DURATION INCREASE IS USED IN DESIGN OF ANCHORS INTO WOOD ONLY.
ALL SHIMS TO BE HIGH IMPACT, NON-METALLIC AND NON-COMPRESSIBLE.

MATERIALS INCLUDING BUT NOT LIMITED TO STEEL/METAL SCREWS, THAT
COME INTO CONTACT WITH OTHER DISSIMILAR MATERIALS SHALL MEET THE
REQUIREMENTS OF THE 2020/2023 FLORIDA BLDG. CODE & ADOPTED STANDARDS.

THIS PRODUCT APPROVAL IS GENERIC AND DOES NOT PROVIDE INFORMATION
FOR A SITE SPECIFIC PROJECT, i.e. LIFE SAFETY OF THIS PRODUCT, ADEQUACY
OF STRUCTURE RECEIVING THIS PRODUCT AND SEALING AROUND OPENING FOR
WATER INFILTRATION RESISTANCE ETC.
CONDITIONS NOT SHOWN IN THIS DRAWING ARE TO BE ANALYZED SEPARATELY,
AND TO BE REVIEWED BY BUILDING OFFICIAL.

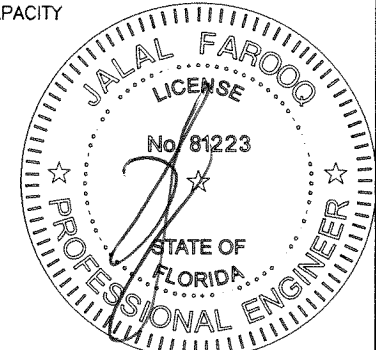
DESIGN LOADS SHOWN ARE BASED ON 'ALLOWABLE STRESS DESIGN (ASD)'.



THESE DOORS ARE RATED FOR SMALL MISSILE IMPACT.
MIAMI-DADE COUNTY APPROVED IMPACT RESISTANT SHUTTERS
REQUIRED FOR INSTALLATIONS UP TO 30 FT. OF GRADE.
SHUTTERS NOT REQD. FOR INSTALLATIONS ABOVE 30 FT. OF GRADE.
VERIFY COMPLIANCE WITH EGRESS LIMITATIONS WHERE REQUIRED.

**LAMINATED GLASS
DRY GLAZED**

JUL 17 2023



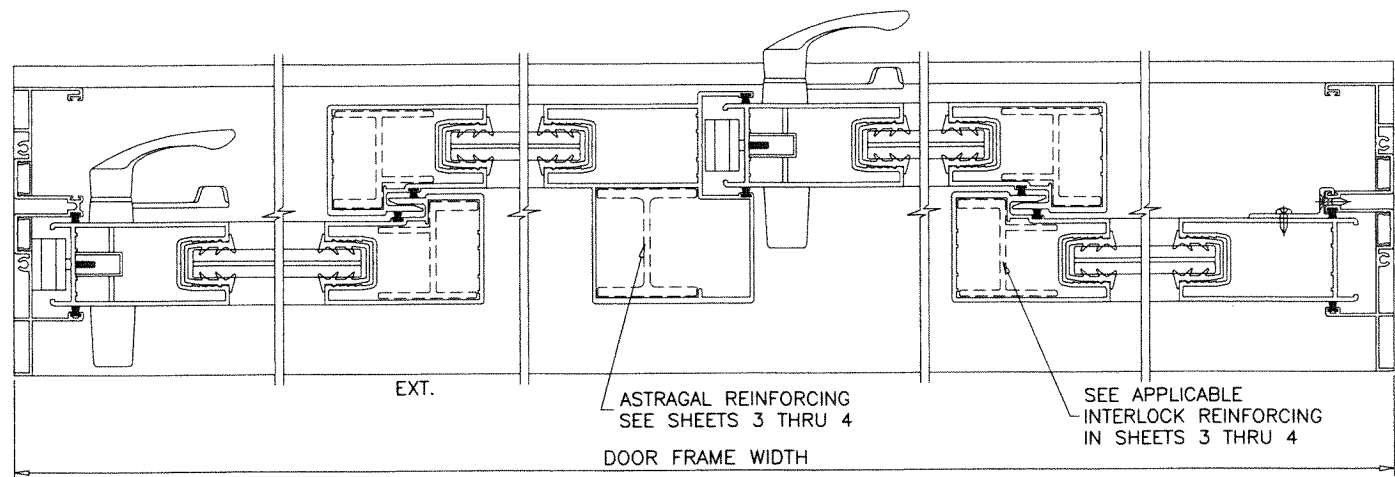
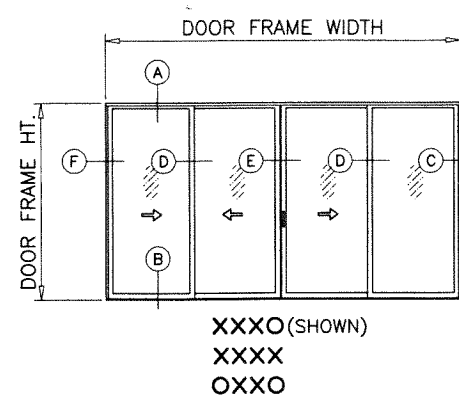
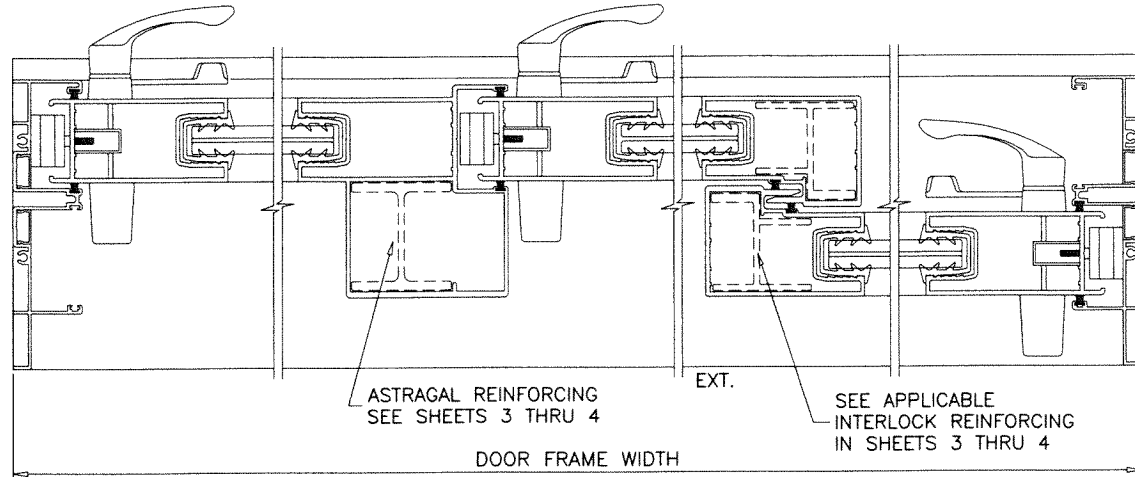
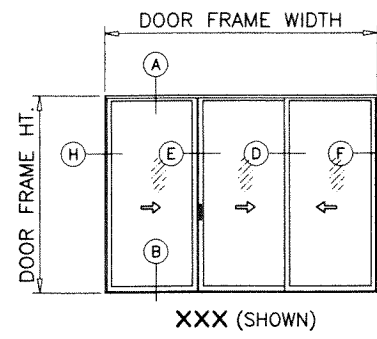
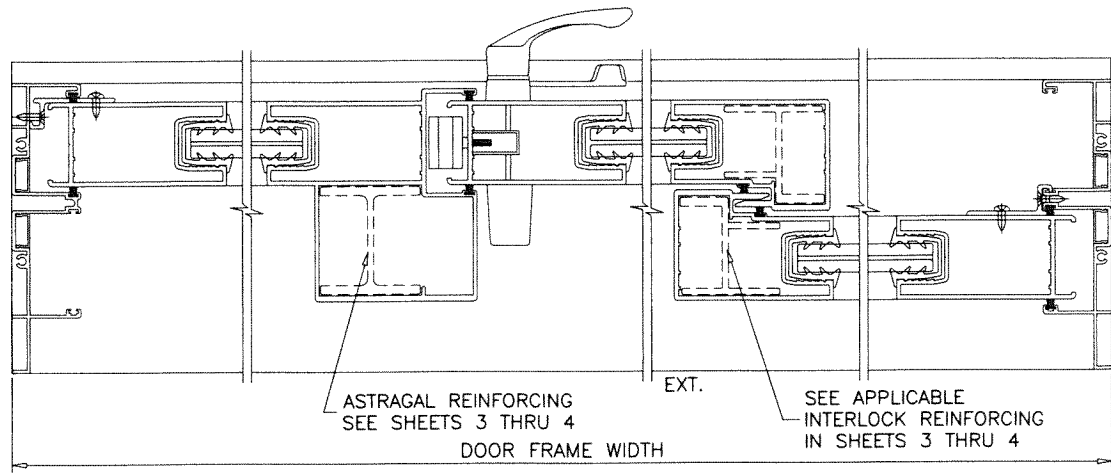
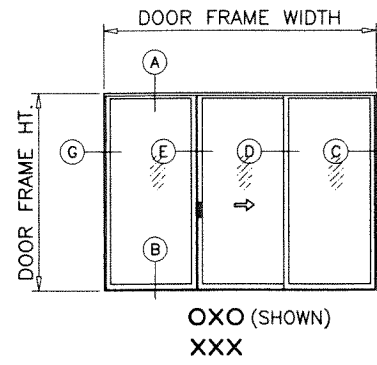
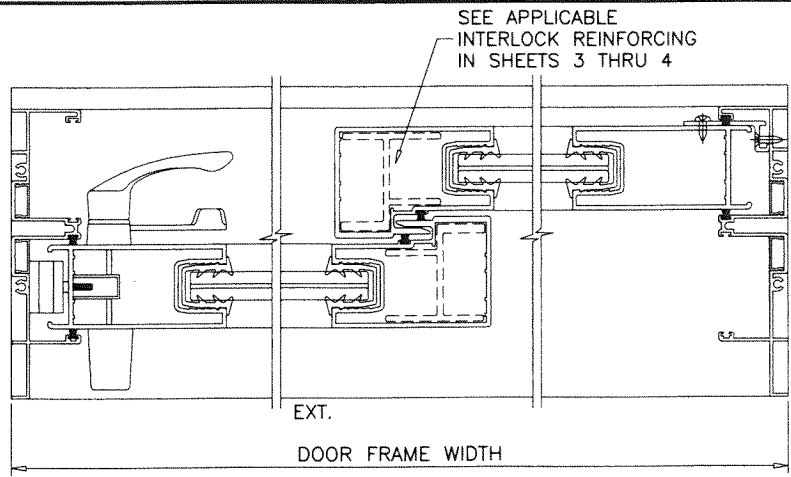
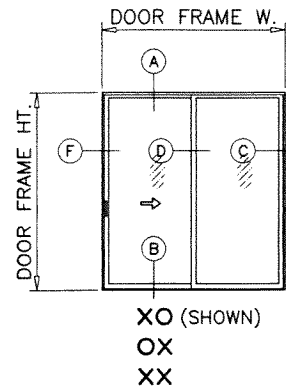
af c
AL-FAROOQ CORPORATION
ENGINEERS & PRODUCT DEVELOPMENT
9360 SUNSET DRIVE, SUITE 220
MIAMI, FLORIDA 33173 (C.A.N. 3538)
TEL. (305) 264-8100 FAX. (305) 262-6978
COMP-ANL\W12-33ES

SERIES-6100 ALUM SLIDING GLASS DOOR (S.M.I.)
E.S. WINDOWS, LLC
3550 N.W. 49 STREET
MIAMI, FL. 33142
TEL. (305) 638-5151 FAX. (305) 638-5158

no	date	by	description
E	12.23.15	REV. PER RER COMMENTS	REV. PER RER COMMENTS
F	01.15.18	GENERAL REVISION	GENERAL REVISION
G	03.09.18	REV. PER RER COMMENTS	REV. PER RER COMMENTS
H	06.22.21	UPDATED TO 2020 FBC	UPDATED TO 2020 FBC
I	07.14.23	UPDATED TO 2023 FBC	UPDATED TO 2023 FBC

date: 06-18-12
scale: 1/2"=1'-0"
dr. by: TARIQ
chk. by:

drawing no.
W12-33
sheet 1 of 12



NOTE:
CONFIGURATIONS SHOWN FOR ILLUSTRATION PURPOSE
SEE APPLICABLE DESIGN PRESSURE & SIZE IN
SHEETS 3 THRU 4 AND ANCHOR INSTALLATION IN
SHEETS 5 & 5.1.

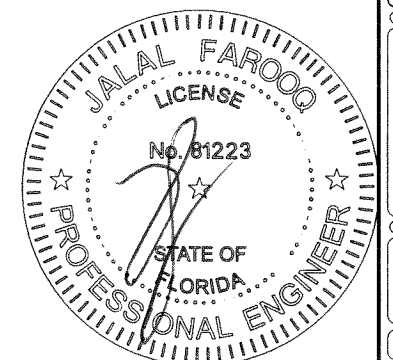
PRODUCT REVISED
as complying with the Florida
Building Code
NOA-No. 23-0724.14
Expiration Date 09/05/2024
By Ishaq I. Chande
Miami-Dade Product Control

PRODUCT RENEWED
as complying with the Florida
Building Code
NOA-No. 24-0312.02
Expiration Date 09/05/2029
By Ishaq I. Chande
Miami-Dade Product Control

APPROVED CONFIGURATIONS

MAX. OVERALL DOOR FRAME AREA NOT TO EXCEED 160 SQ. FT.

JUL 17 2023



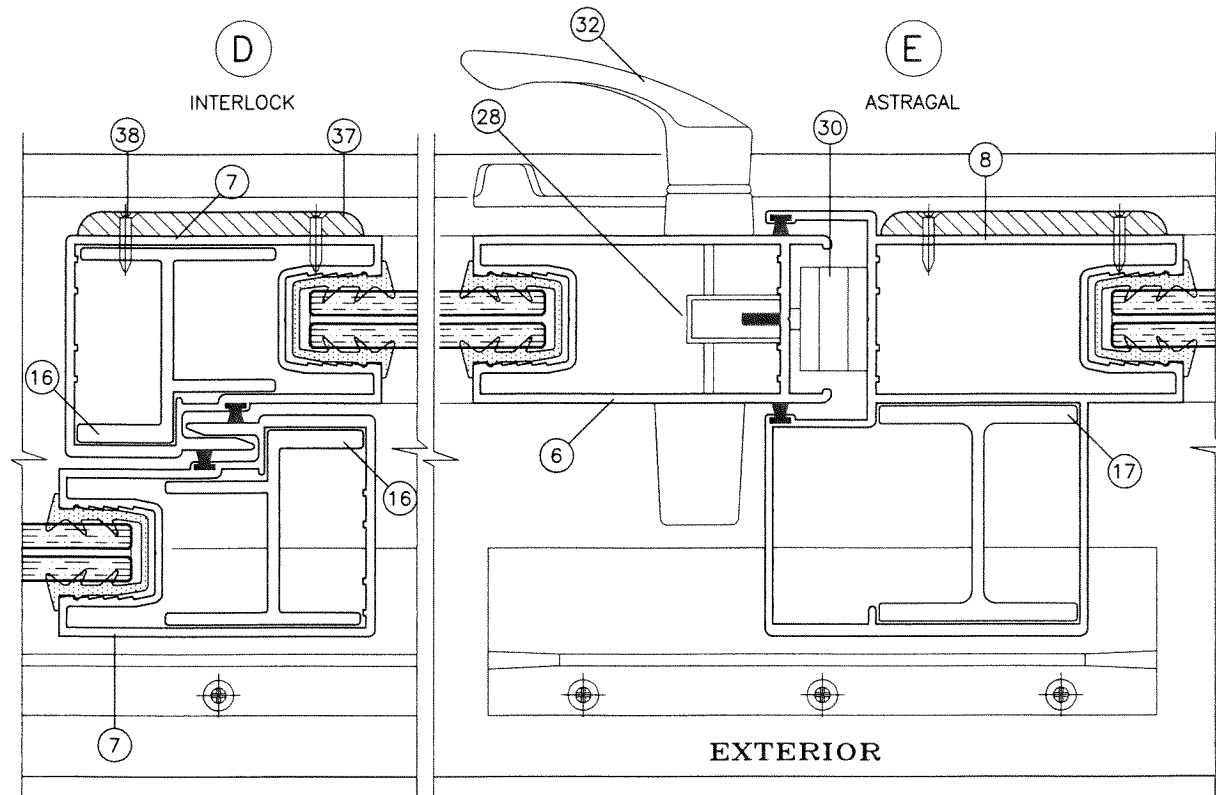
af c
AL-FAROOQ CORPORATION
ENGINEERS & PRODUCT DEVELOPMENT
9360 SUNSET DRIVE, SUITE 220 (C.A.N. 3538)
MIAMI, FLORIDA 33173 FAX. (305) 262-6978
TEL. (305) 264-8100 COMP-ANL\W12-33ES

SERIES-6100 ALUM SLIDING GLASS DOOR (S.M.I.)
E.S. WINDOWS, LLC
3550 N.W. 49 STREET
MIAMI, FL. 33142
TEL. (305) 638-5151 FAX. (305) 638-5158

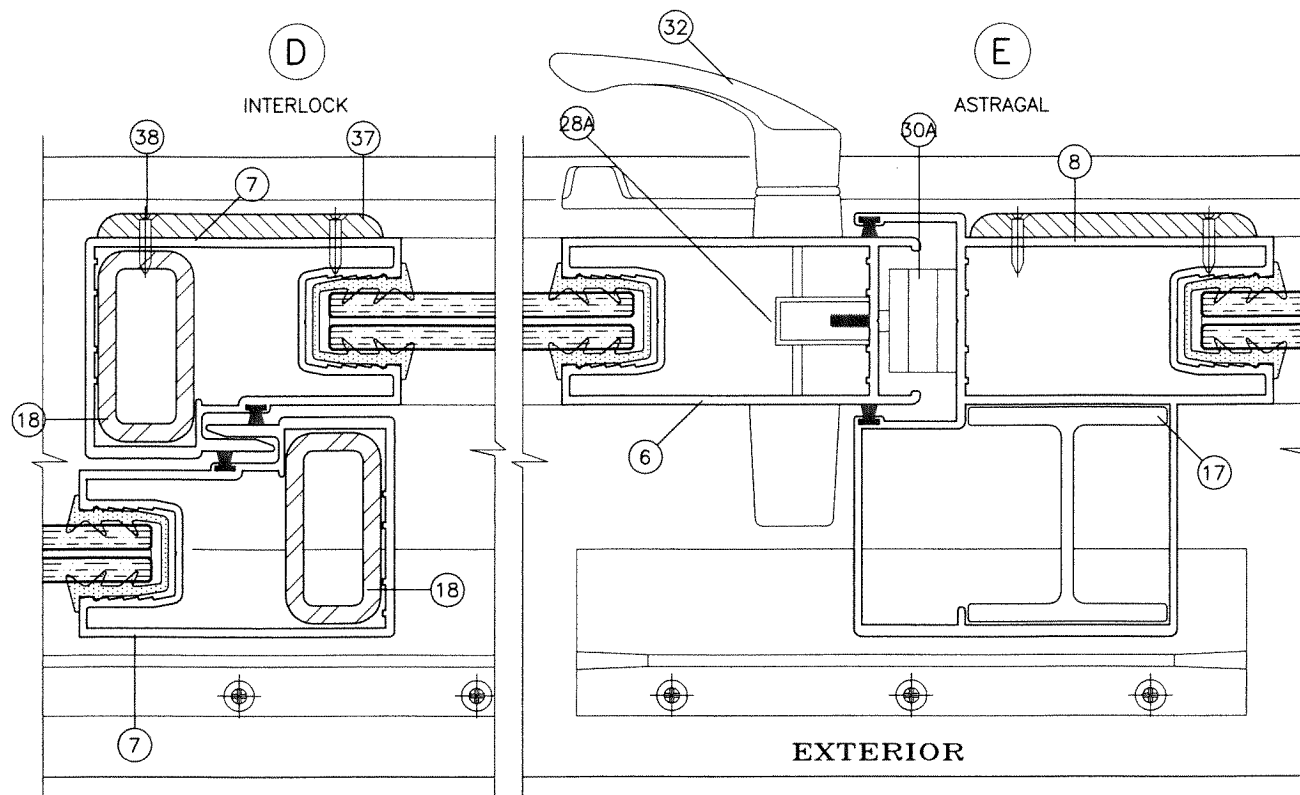
no	date	by	description
E	12.23.15	REV. PER	COMMENTS
F	01.15.18	GENERAL	REVISION
G	03.09.18	REV. PER	REV. PER COMMENTS
H	06.22.21	UPDATED	TO 2020 FBC
I	07.14.23		NO CHANGE THIS SHEET

date: 06-18-12
scale: -
dr. by: TARIQ
chk. by:

drawing no.
W12-33
sheet 2 of 12



REINFORCING OPTION #1
ALUMINUM REINFORCING AT INTERLOCK
ALUMINUM REINFORCING AT ASTRAGAL



REINFORCING OPTION #2
STEEL REINFORCING AT INTERLOCK
ALUMINUM REINFORCING AT ASTRAGAL

SEE CHART ON THIS SHEET FOR DESIGN LOAD CAPACITY OF DESIRED GLASS SIZE AND REINFORCING TYPES.

SEE CHART ON SHEET 5 FOR HEAD ANCHOR CAPACITY. SEE CHART ON SHEET 5.1 FOR SILL ANCHOR CAPACITY.

LOWER DESIGN PRESSURES FROM DESIGN LOAD CHART, HEAD ANCHOR CHART OR SILL ANCHOR CHART WILL APPLY TO ENTIRE SYSTEM.

PRODUCT REVISED
as complying with the Florida Building Code
NOA-No. 23-0724.14

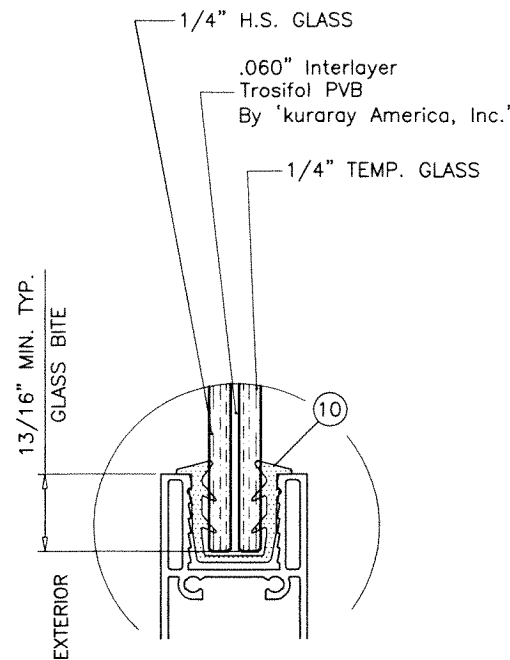
Expiration Date 09/05/2024

By Ishaq I. Chande
Miami-Dade Product Control

PRODUCT RENEWED
as complying with the Florida Building Code
NOA-No. 24-0312.02

Expiration Date 09/05/2029

By Ishaq I. Chande
Miami-Dade Product Control

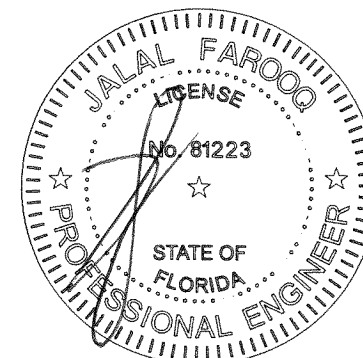


GLASS TYPE 'A' (DRY GLAZED)
GLAZING DETAIL

NOTE:
GLASS CAPACITIES ON THIS SHEET ARE BASED ON ASTM E1300-09 (3 SEC. GUSTS) AND FLORIDA BUILDING COMMISSION DECLARATORY STATEMENT DCA05-DEC-219

DESIGN LOAD CAPACITY - PSF PVB LAMINATED GLASS TYPE 'A' ALL CONFIGURATIONS SHOWN ON SHEET 2					
PANEL WIDTH NOMINAL INCHES	DOOR FRAME HEIGHT INCHES	REINF. OPTION #1		REINF. OPTION #2	
		EXT. (+)	INT. (-)	EXT. (+)	INT. (-)
36	82	85.0	140.0	85.0	110.0
40		85.0	140.0	85.0	110.0
44		85.0	140.0	85.0	110.0
48		85.0	140.0	85.0	110.0
50		85.0	134.4	81.6	105.6
53		81.6	126.8	77.0	99.6
56		72.9	120.0	72.9	94.3
60		68.0	112.0	68.0	88.0
36	96	85.0	140.0	85.0	110.0
40		85.0	136.4	85.0	110.0
44		85.0	127.4	85.0	110.0
48		85.0	120.0	85.0	110.0
50		85.0	96.0	81.6	105.6
53		85.0	90.5	77.0	99.6
56		85.0	85.7	72.9	94.3
60		80.0	80.0	68.0	88.0
36	102	85.0	100.0	85.0	110.0
40		85.0	100.0	85.0	110.0
44		85.0	100.0	85.0	110.0
48		85.0	100.0	85.0	110.0
50		85.0	96.0	81.6	105.6
53		85.0	90.5	77.0	99.6
56		85.0	85.7	72.9	94.3
36	108	85.0	100.0	85.0	110.0
40		85.0	100.0	85.0	110.0
44		85.0	100.0	85.0	110.0
48		85.0	100.0	85.0	110.0
50		85.0	96.0	81.6	105.6
53		85.0	90.5	77.0	99.6
36	114	85.0	100.0	85.0	110.0
40		85.0	100.0	85.0	110.0
44		85.0	100.0	85.0	110.0
48		85.0	96.0	85.0	110.0
50		85.0	96.0	81.6	105.6
36		120	85.0	100.0	85.0
40	85.0		100.0	85.0	110.0
44	85.0		96.2	85.0	110.0
48	85.0		90.0	85.0	110.0

JUL 17 2023



AL-FAROOQ CORPORATION
ENGINEERS & PRODUCT DEVELOPMENT
9360 SUNSET DRIVE, SUITE 220
MIAMI, FLORIDA 33173
TEL. (305) 262-8100 FAX. (305) 262-8978
C.A.N. 3538

SERIES-6100 ALUM SLIDING GLASS DOOR (S.M.I.)

E.S. WINDOWS, LLC
3550 N.W. 49 STREET
MIAMI, FL. 33142
TEL. (305) 638-5151 FAX. (305) 638-5158

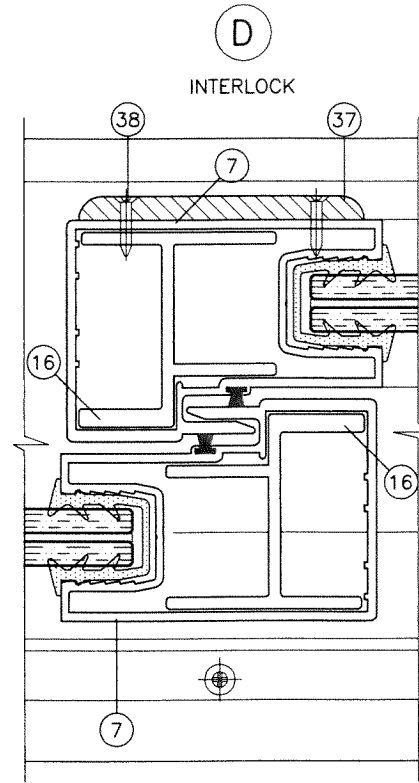
no	date	description
E	12.23.15	REV. PER PER COMMENTS
F	01.15.18	GENERAL REVISION
G	03.09.18	REV. PER PER COMMENTS
H	06.22.21	UPDATED TO 2020 FBC
I	07.14.23	NO CHANGE THIS SHEET

date: 06-18-12
scale: 1/2" = 1"
dr. by: TARIQ
chk. by:

drawing no.
W12-33

sheet 3 of 12

COMP-ANL\W12-33ES

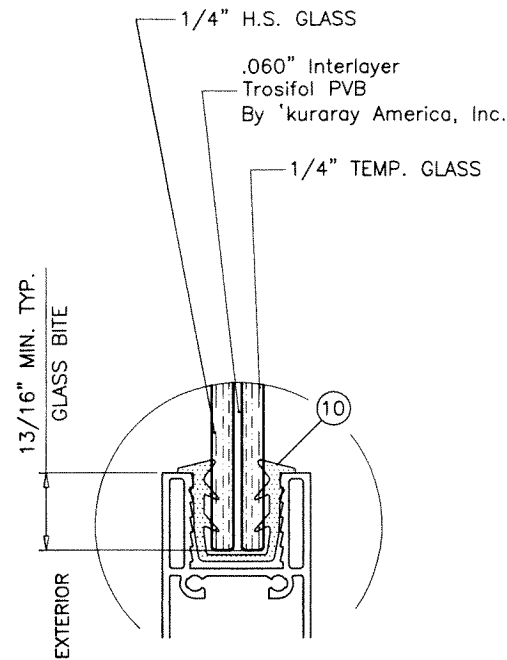
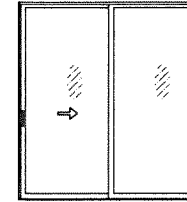


REINFORCING OPTION #1
ALUMINUM REINFORCING AT INTERLOCK

PRODUCT RENEWED
as complying with the Florida
Building Code
NOA-No. 24-0312.02
Expiration Date 09/05/2029
By Ishag I. Chande
Miami-Dade Product Control

SEE CHART ON THIS SHEET FOR DESIGN LOAD CAPACITY
OF DESIRED GLASS SIZE AND REINFORCING TYPES.
SEE CHART ON SHEET 5 FOR HEAD ANCHOR CAPACITY.
SEE CHART ON SHEET 5.1 FOR SILL ANCHOR CAPACITY.
LOWER DESIGN PRESSURES FROM DESIGN LOAD CHART,
HEAD ANCHOR CHART OR SILL ANCHOR CHART WILL APPLY
TO ENTIRE SYSTEM.

PRODUCT REVISED
as complying with the Florida
Building Code
NOA-No. 23-0724.14
Expiration Date 09/05/2024 'XO' OR 'OX' DOORS ONLY
By Ishag I. Chande
Miami-Dade Product Control



GLASS TYPE 'A' (DRY GLAZED)
GLAZING DETAIL

NOTE:
GLASS CAPACITIES ON THIS SHEET ARE
BASED ON ASTM E1300-09 (3 SEC. GUSTS)
AND FLORIDA BUILDING COMMISSION
DECLARATORY STATEMENT DCA05-DEC-219

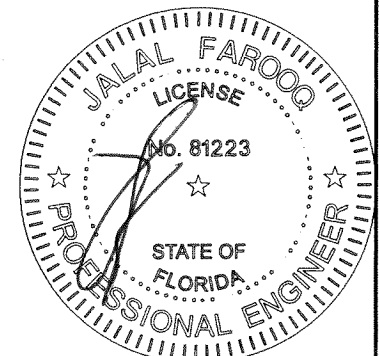
DESIGN LOAD CAPACITY - PSF PVB LAMINATED GLASS TYPE 'A' 'XO' OR 'OX' CONFIGURATIONS ONLY			
PANEL WIDTH NOMINAL INCHES	DOOR FRAME HEIGHT INCHES	REINF. OPTION #1	
		EXT. (+)	INT. (-)
36	82	110.0	110.0
40		110.0	110.0
44		110.0	110.0
48		110.0	110.0
50		105.6	105.6
53		99.6	99.6
56	94.3	94.3	
60	88.0	88.0	
36	84	110.0	110.0
40		110.0	110.0
44		110.0	110.0
48		110.0	110.0
50		105.6	105.6
53		99.6	99.6
56	94.3	94.3	
60	88.0	88.0	
36	90	110.0	110.0
40		110.0	110.0
44		110.0	110.0
48		110.0	110.0
50		105.6	105.6
53		99.6	99.6
56	94.3	94.3	
36	96	110.0	110.0
40		110.0	110.0
44		110.0	110.0
48		110.0	110.0
50		105.6	105.6
53		99.6	99.6
36	102	110.0	110.0
40		110.0	110.0
44		110.0	110.0
48		110.0	110.0
50		105.6	105.6
36		108-1/2	110.0
40	110.0		110.0
44	110.0		110.0
48	110.0		110.0

AL-FAROOQ CORPORATION
ENGINEERS & PRODUCT DEVELOPMENT
9360 SUNSET DRIVE, SUITE 220
MIAMI, FLORIDA 33173
TEL. (305) 264-8100 FAX. (305) 262-6978
C.A.N. 3538

SERIES-6100 ALUM SLIDING GLASS DOOR (S.M.I.)
E.S. WINDOWS, LLC
3550 N.W. 49 STREET
MIAMI, FL. 33142
TEL. (305) 638-5151 FAX. (305) 638-5158

no	date	description
F	01.15.18	GENERAL REVISION
G	03.09.18	REV. PER RER COMMENTS
H	06.22.21	UPDATED TO 2020 FBC
I	07.14.23	NO CHANGE THIS SHEET

date: 06-18-12
scale: 1/2" = 1"
dr. by: TARIQ
chk. by:



JUL 17 2023

drawing no.
W12-33
sheet 3.1 of 12

PRODUCT RENEWED
 as complying with the Florida
 Building Code
 NOA-No. 24-0312.02

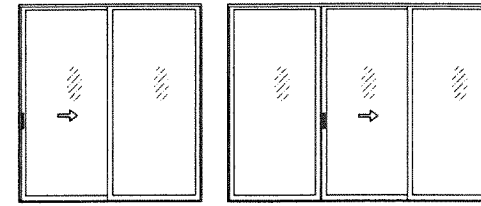
Expiration Date 09/05/2029

By Ishaq I. Chande
 Miami-Dade Product Control

SEE CHART ON THIS SHEET FOR DESIGN LOAD CAPACITY
 OF DESIRED GLASS SIZE AND REINFORCING TYPES.

SEE CHART ON SHEET 5 FOR HEAD ANCHOR CAPACITY.
 SEE CHART ON SHEET 5.1 FOR SILL ANCHOR CAPACITY.

LOWER DESIGN PRESSURES FROM DESIGN LOAD CHART,
 HEAD ANCHOR CHART OR SILL ANCHOR CHART WILL APPLY
 TO ENTIRE SYSTEM.



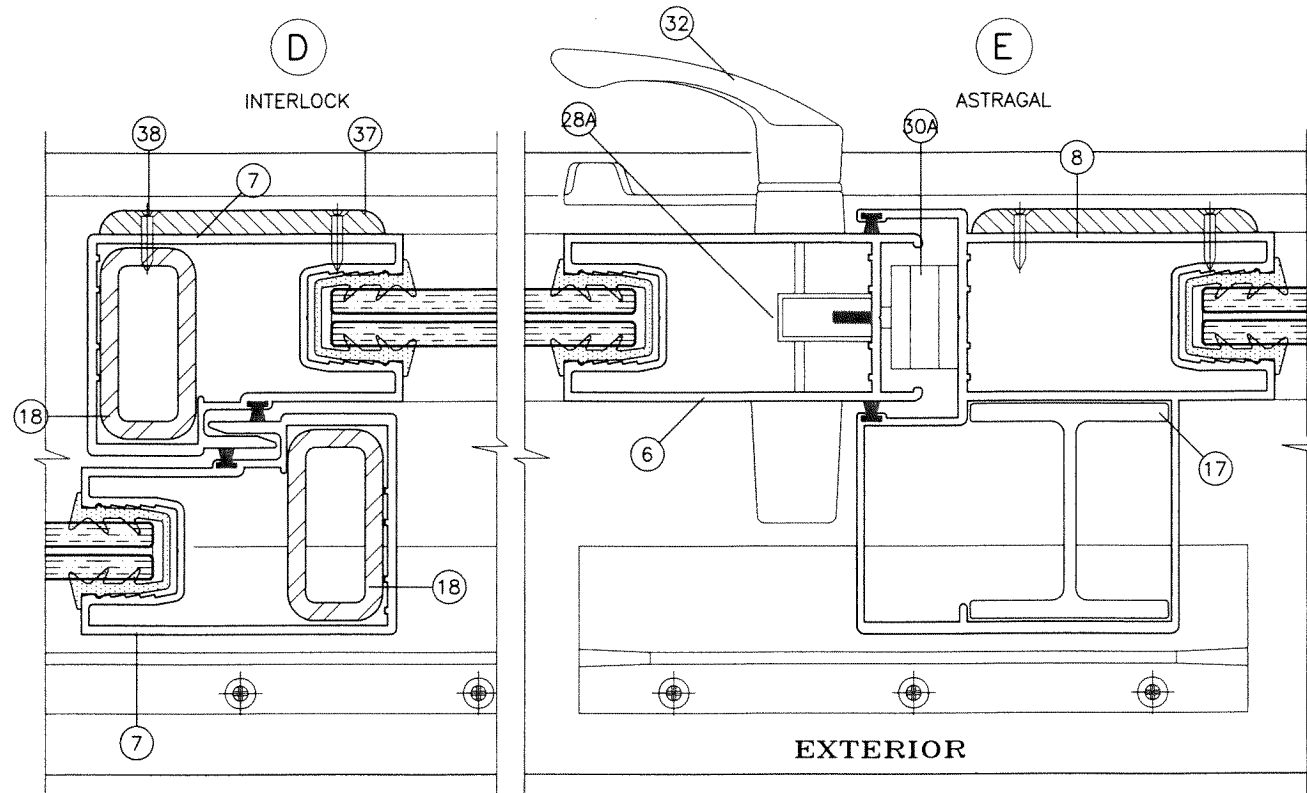
XO (SHOWN)
OX

APPROVED CONFIGURATIONS

PRODUCT REVISED
 as complying with the Florida
 Building Code
 NOA-No. 23-0724.14

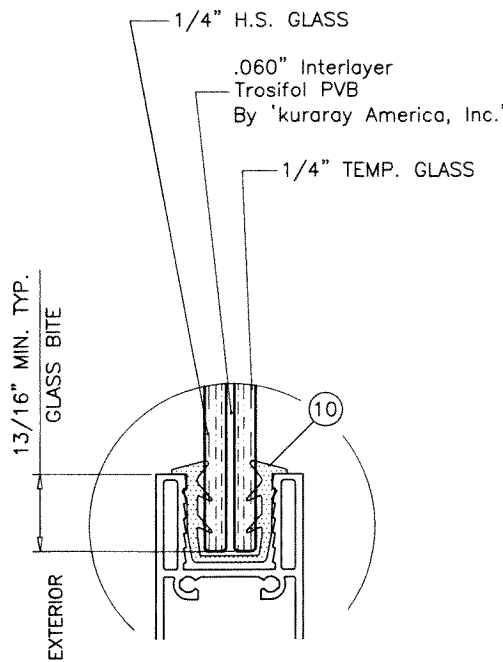
Expiration Date 09/05/2024

By Ishaq I. Chande
 Miami-Dade Product Control



REINFORCING OPTION #2

STEEL REINFORCING AT INTERLOCK
 ALUMINUM REINFORCING AT ASTRAGAL

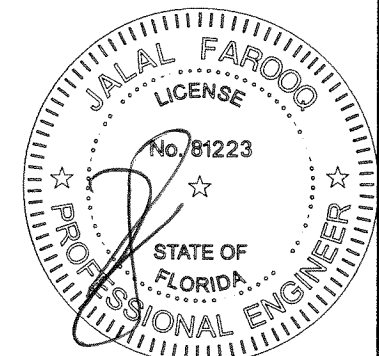


GLASS TYPE 'A' (DRY GLAZED)
GLAZING DETAIL

NOTE:
 GLASS CAPACITIES ON THIS SHEET ARE
 BASED ON ASTM E1300-09 (3 SEC. GUSTS)
 AND FLORIDA BUILDING COMMISSION
 DECLARATORY STATEMENT DCA05-DEC-219

DESIGN LOAD CAPACITY - PSF PVB LAMINATED GLASS TYPE 'A' 'XO', 'OX' OR 'OXO' CONFIGURATIONS ONLY			
PANEL WIDTH NOMINAL INCHES	DOOR FRAME HEIGHT INCHES	REINF. OPTION #2	
		EXT. (+)	INT. (-)
36	82	85.0	123.0
40		85.0	123.0
44		85.0	115.7
48		85.0	110.0
50		81.6	105.6
53		77.0	99.6
56		72.9	94.3
60		68.0	88.0
36	96	85.0	123.0
40		85.0	123.0
44		85.0	115.7
48		85.0	110.0
50		81.6	105.6
53		77.0	99.6
56		72.9	94.3
60		68.0	88.0
36	102	85.0	123.0
40		85.0	123.0
44		85.0	110.0
48		85.0	110.0
50		81.6	105.6
53		77.0	99.6
56		72.9	94.3
36	108	85.0	123.0
40		85.0	123.0
44		85.0	110.0
48		85.0	110.0
50		81.6	105.6
53		77.0	99.6
36	108-1/4	85.0	123.0
40		85.0	123.0
41-3/8		85.0	123.0
36	114	85.0	110.0
40		85.0	110.0
44		85.0	110.0
48		85.0	110.0
50		81.6	105.6
53		77.0	99.6
36	120	85.0	110.0
40		85.0	110.0
44		85.0	110.0
48		85.0	110.0

JUL 17 2023



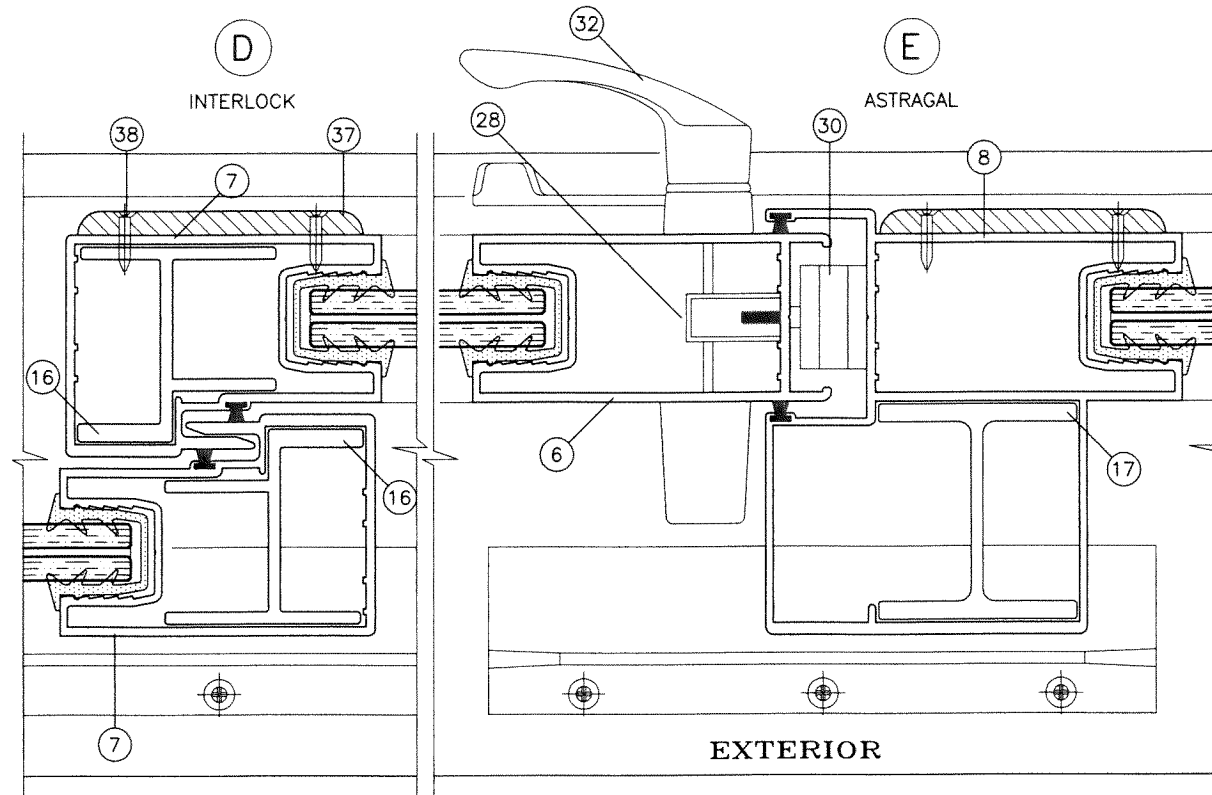
AL-FAROOQ CORPORATION
 ENGINEERS & PRODUCT DEVELOPMENT
 9360 SUNSET DRIVE, SUITE 220
 MIAMI, FLORIDA 33173
 TEL. (305) 264-8100 FAX. (305) 262-6978
 (C.A.N. 3538)

SERIES-6100 ALUM SLIDING GLASS DOOR (S.M.I.)
E.S. WINDOWS, LLC
 3550 N.W. 49 STREET
 MIAMI, FL. 33142
 TEL. (305) 638-5151 FAX. (305) 638-5158

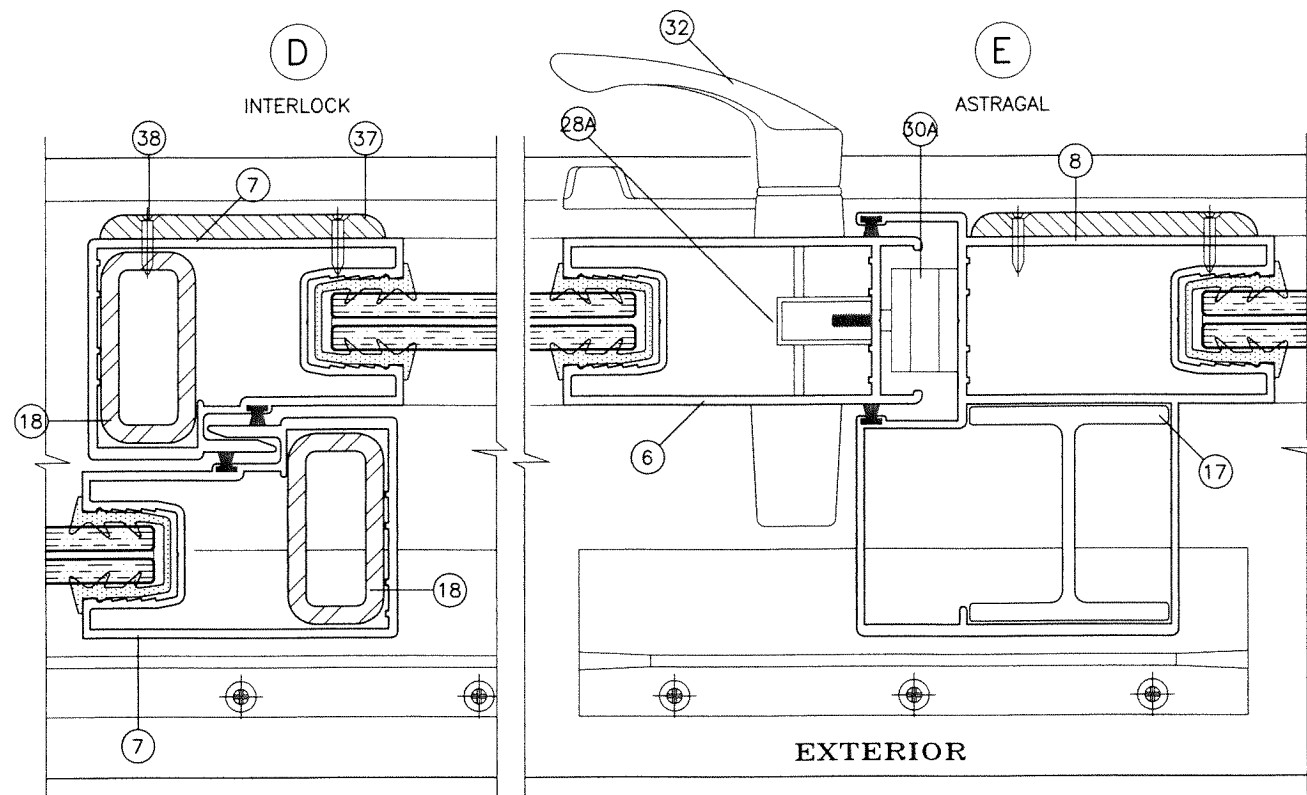
revisions:	no	date	by	description
	1	07.14.23		NO CHANGE THIS SHEET

date: 06-18-12
 scale: 1/2" = 1"
 dr. by: TARIQ
 chk. by:
 drawing no.
W12-33
 sheet 3.2 of 12

COMP-ANL\W12-33ES



REINFORCING OPTION #1
ALUMINUM REINFORCING AT INTERLOCK
ALUMINUM REINFORCING AT ASTRAGAL



REINFORCING OPTION #2
STEEL REINFORCING AT INTERLOCK
ALUMINUM REINFORCING AT ASTRAGAL

SEE CHART ON THIS SHEET FOR DESIGN LOAD CAPACITY OF DESIRED GLASS SIZE AND REINFORCING TYPES.

SEE CHART ON SHEET 5 FOR HEAD ANCHOR CAPACITY. SEE CHART ON SHEET 5.1 FOR SILL ANCHOR CAPACITY.

LOWER DESIGN PRESSURES FROM DESIGN LOAD CHART, HEAD ANCHOR CHART OR SILL ANCHOR CHART WILL APPLY TO ENTIRE SYSTEM.

PRODUCT REVISED
as complying with the Florida Building Code

NOA-No. 23-0724.14

Expiration Date 09/05/2024

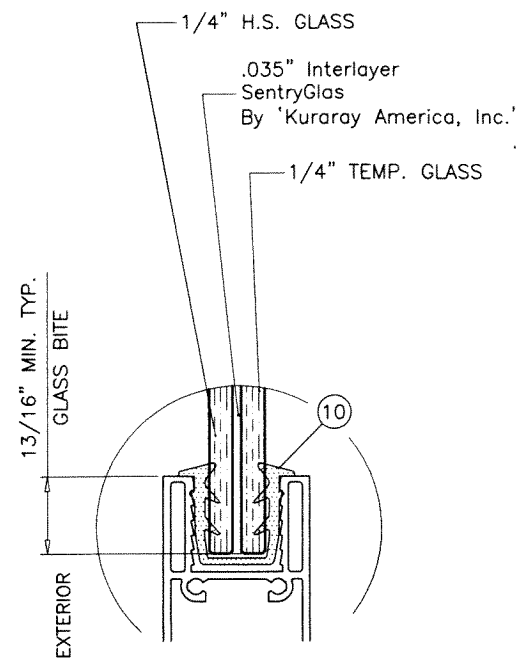
By *Ishaq I. Chank*
Miami-Dade Product Control

PRODUCT RENEWED
as complying with the Florida Building Code

NOA-No. 24-0312.02

Expiration Date 09/05/2029

By *Ishaq I. Chank*
Miami-Dade Product Control

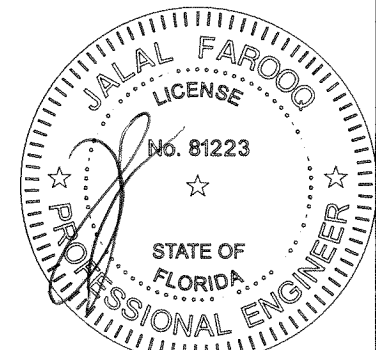


GLASS TYPE 'A1' (DRY GLAZED)
GLAZING DETAIL

NOTE:
GLASS CAPACITIES ON THIS SHEET ARE BASED ON ASTM E1300-09 (3 SEC. GUSTS) AND FLORIDA BUILDING COMMISSION DECLARATORY STATEMENT DCA05-DEC-219

DESIGN LOAD CAPACITY - PSF					
SENTRIGLAS LAMINATED GLASS TYPE 'A1'					
ALL CONFIGURATIONS SHOWN ON SHEET 2					
PANEL WIDTH NOMINAL INCHES	DOOR FRAME HEIGHT INCHES	REINF. OPTION #1		REINF. OPTION #2	
		EXT. (+)	INT. (-)	EXT. (+)	INT. (-)
36	82	85.0	100.0	85.0	140.0
40		85.0	100.0	85.0	140.0
44		85.0	100.0	85.0	140.0
48		85.0	100.0	85.0	140.0
50		85.0	96.0	85.0	134.4
53		85.0	90.5	85.0	126.8
56		85.0	85.7	85.0	120.0
60		80.0	80.0	85.0	112.0
36	96	85.0	100.0	85.0	140.0
40		85.0	100.0	85.0	140.0
44		85.0	100.0	85.0	140.0
48		85.0	100.0	85.0	137.3
50		85.0	96.0	85.0	105.6
53		85.0	90.5	85.0	99.6
56		85.0	85.7	85.0	94.3
60		85.0	80.0	85.0	88.0
36	102	85.0	100.0	85.0	110.0
40		85.0	100.0	85.0	110.0
44		85.0	100.0	85.0	110.0
48		85.0	100.0	85.0	110.0
50		85.0	96.0	85.0	105.6
53		85.0	90.5	85.0	99.6
56		80.0	80.0	85.0	94.3
36	108	85.0	100.0	85.0	110.0
40		85.0	100.0	85.0	110.0
44		85.0	100.0	85.0	110.0
48		85.0	100.0	85.0	110.0
50		85.0	96.0	85.0	105.6
53		85.0	90.5	85.0	99.6
56		85.0	80.0	85.0	94.3
36	114	85.0	100.0	85.0	110.0
40		85.0	100.0	85.0	110.0
44		85.0	100.0	85.0	110.0
48		85.0	96.0	85.0	110.0
50		85.0	96.0	85.0	105.6
53		85.0	90.5	85.0	99.6
56		85.0	80.0	85.0	94.3
36	120	85.0	100.0	85.0	110.0
40		85.0	100.0	85.0	110.0
44		85.0	96.2	85.0	110.0
48		85.0	90.0	85.0	110.0
50		85.0	90.0	85.0	110.0
53		85.0	90.0	85.0	110.0
56		85.0	90.0	85.0	110.0

JUL 17 2023



AL-FAROOQ CORPORATION
ENGINEERS & PRODUCT DEVELOPMENT
9360 SUNSET DRIVE, SUITE 220
MIAMI, FLORIDA 33173
TEL. (305) 264-8100 FAX. (305) 262-6978
COMP-ANL\W12-33ES

SERIES-6100 ALUM SLIDING GLASS DOOR (S.M.I.)
E.S. WINDOWS, LLC
3550 N.W. 49 STREET
MIAMI, FL. 33142
TEL. (305) 638-5151 FAX. (305) 638-5158

no	date	description
E	12.23.15	REV. PER RER COMMENTS
F	01.15.18	GENERAL REVISION
G	03.09.18	REV. PER RER COMMENTS
H	06.22.21	UPDATED TO 2020 FBC
I	07.14.23	NO CHANGE THIS SHEET

date: 06-18-12
scale: 1/2" = 1"
dr. by: TARIQ
chk. by:

drawing no.
W12-33
sheet 4 of 12

TYPICAL ANCHORS: SEE ELEV. FOR SPACING

AT HEAD

TYPE 'A' - 1/4" DIA. ULTRACON+ BY 'DEWALT' (Fu=164 KSI, Fy=148 KSI)
 INTO 2BY WOOD BUCKS OR WOOD STRUCTURES
 1-1/2" MIN. PENETRATION INTO WOOD

THRU 1BY BUCKS INTO CONCRETE
 1-1/2" MIN. EMBED INTO CONCRETE

TYPE 'B' - 1/4" DIA. ULTRACON+ BY 'DEWALT' (Fu=164 KSI, Fy=148 KSI)
 DIRECTLY INTO CONCRETE
 1-1/2" MIN. EMBED

TYPE 'C' - #14 SMS OR SELF DRILLING SCREWS (GRADE 2 CRS)
 INTO MIAMI-DADE COUNTY APPROVED MULLIONS
 OR
 INTO METAL STRUCTURES
 (3) THREADS MIN. TO EXTEND BEYOND METAL THICKNESS
 ALUMINUM: 1/8" THK. MIN. (6063-T5 MIN.)
 STEEL: 1/8" THK. MIN. (Fy = 36 KSI MIN.)
 (STEEL IN CONTACT WITH ALUMINUM TO BE PLATED OR PAINTED)

AT SILL

TYPE 'B' - 1/4" DIA. ULTRACON+ BY 'DEWALT' (Fu=164 KSI, Fy=148 KSI)
 DIRECTLY INTO CONCRETE
 1-3/4" MIN. EMBED

AT JAMBS

TYPE 'A' - 1/4" DIA. ULTRACON+ BY 'DEWALT' (Fu=164 KSI, Fy=148 KSI)
 INTO 2BY WOOD BUCKS OR WOOD STRUCTURES
 1-1/2" MIN. PENETRATION INTO WOOD

THRU 1BY BUCKS INTO CONC. OR BLOCKS
 1-1/4" MIN. EMBED INTO CONC. OR BLOCKS

TYPE 'B' - 1/4" DIA. ULTRACON+ BY 'DEWALT' (Fu=164 KSI, Fy=148 KSI)
 DIRECTLY INTO CONC. OR BLOCKS
 1-1/4" MIN. EMBED INTO CONC. OR BLOCKS

TYPE 'C' - #14 SMS OR SELF DRILLING SCREWS (GRADE 2 CRS)
 INTO MIAMI-DADE COUNTY APPROVED MULLIONS
 OR
 INTO METAL STRUCTURES
 (3) THREADS MIN. TO EXTEND BEYOND METAL THICKNESS
 ALUMINUM: 1/8" THK. MIN. (6063-T5 MIN.)
 STEEL: 1/8" THK. MIN. (Fy = 36 KSI MIN.)
 (STEEL IN CONTACT WITH ALUMINUM TO BE PLATED OR PAINTED)

ANCHOR EDGE DISTANCES

INTO CONCRETE = 2-1/2" MIN.
 INTO WOOD STRUCTURE = 1" MIN.
 INTO METAL STRUCTURE = 3/4" MIN.

WOOD AT HEAD OR JAMBS SG = 0.55 MIN.

CONCRETE AT HEAD, SILL OR JAMBS f'c = 3000 PSI MIN.

C-90 HOLLOW/FILLED BLOCK AT JAMBS f'm = 2000 PSI MIN.

PRODUCT RENEWED
 as complying with the Florida
 Building Code

NOA-No. 24-0312.02

Expiration Date 09/05/2029

By Ishaq I. Chande
 Miami-Dade Product Control

HEAD ANCHOR LOAD CAPACITY - PSF							
AVERAGE PANEL WIDTH INCHES	DOOR FRAME HEIGHT INCHES	ANCHOR TYPE 'A'		ANCHOR 'B'		ANCHOR 'C'	
		6 ANCHORS AT MTG. STILE ENDS	7 ANCHORS AT MTG. STILE ENDS	6 ANCHORS AT MTG. STILE ENDS	6 ANCHORS AT MTG. STILE ENDS	6 ANCHORS AT MTG. STILE ENDS	6 ANCHORS AT MTG. STILE ENDS
		EXT. (+) INT. (-)	EXT. (+) INT. (-)	EXT. (+) INT. (-)	EXT. (+) INT. (-)	EXT. (+) INT. (-)	EXT. (+) INT. (-)
30	82	140.0	140.0	140.0	140.0	140.0	140.0
36		140.0	140.0	140.0	140.0	140.0	140.0
40		140.0	140.0	140.0	140.0	140.0	140.0
42		140.0	140.0	140.0	140.0	140.0	140.0
44		140.0	140.0	140.0	140.0	140.0	140.0
48		140.0	140.0	140.0	140.0	140.0	140.0
50		140.0	140.0	140.0	140.0	140.0	140.0
53		140.0	140.0	140.0	140.0	140.0	140.0
56		134.4	140.0	140.0	140.0	140.0	140.0
60		132.4	140.0	140.0	140.0	140.0	140.0
30	84	140.0	140.0	140.0	140.0	140.0	140.0
36		140.0	140.0	140.0	140.0	140.0	140.0
40		140.0	140.0	140.0	140.0	140.0	140.0
42		140.0	140.0	140.0	140.0	140.0	140.0
44		140.0	140.0	140.0	140.0	140.0	140.0
48		140.0	140.0	140.0	140.0	140.0	140.0
50		140.0	140.0	140.0	140.0	140.0	140.0
53		135.5	140.0	140.0	140.0	140.0	140.0
56		131.7	140.0	140.0	140.0	140.0	140.0
60		127.5	140.0	140.0	140.0	140.0	140.0
30	90	140.0	140.0	140.0	140.0	140.0	140.0
36		140.0	140.0	140.0	140.0	140.0	140.0
40		140.0	140.0	140.0	140.0	140.0	140.0
42		140.0	140.0	140.0	140.0	140.0	140.0
44		138.0	140.0	140.0	140.0	140.0	140.0
48		130.4	140.0	140.0	140.0	140.0	140.0
50		127.1	140.0	140.0	140.0	140.0	140.0
53		122.7	140.0	140.0	140.0	140.0	140.0
56		118.9	138.8	140.0	140.0	140.0	140.0
60		114.7	133.8	140.0	140.0	140.0	140.0
30	96	140.0	140.0	140.0	140.0	140.0	140.0
36		140.0	140.0	140.0	140.0	140.0	140.0
40		135.9	140.0	140.0	140.0	140.0	140.0
42		131.1	140.0	140.0	140.0	140.0	140.0
44		126.8	140.0	140.0	140.0	140.0	140.0
48		119.5	139.4	140.0	140.0	140.0	140.0
50		110.0	110.0	110.0	110.0	110.0	110.0
53		110.0	110.0	110.0	110.0	110.0	110.0
56		106.3	110.0	110.0	110.0	110.0	110.0
60		104.3	110.0	110.0	110.0	110.0	110.0
30	102	123.0	123.0	123.0	123.0	123.0	123.0
36		123.0	123.0	123.0	123.0	123.0	123.0
40		123.0	123.0	123.0	123.0	123.0	123.0
42		110.0	110.0	110.0	110.0	110.0	110.0
44		110.0	110.0	110.0	110.0	110.0	110.0
48		110.0	110.0	110.0	110.0	110.0	110.0
50		107.3	110.0	110.0	110.0	110.0	110.0
53		103.2	110.0	110.0	110.0	110.0	110.0

HEAD ANCHOR LOAD CAPACITY - PSF								
AVERAGE PANEL WIDTH INCHES	DOOR FRAME HEIGHT INCHES	ANCHOR TYPE 'A'		ANCHOR 'B'		ANCHOR 'C'		
		6 ANCHORS AT MTG. STILE ENDS	7 ANCHORS AT MTG. STILE ENDS	6 ANCHORS AT MTG. STILE ENDS	6 ANCHORS AT MTG. STILE ENDS	6 ANCHORS AT MTG. STILE ENDS	6 ANCHORS AT MTG. STILE ENDS	
		EXT. (+) INT. (-)	EXT. (+) INT. (-)	EXT. (+) INT. (-)	EXT. (+) INT. (-)	EXT. (+) INT. (-)	EXT. (+) INT. (-)	
30	108-1/2	123.0	123.0	123.0	123.0	123.0	123.0	
36		123.0	123.0	123.0	123.0	123.0	123.0	
40		123.0	123.0	123.0	123.0	123.0	123.0	
42		110.0	110.0	110.0	110.0	110.0	110.0	
44		108.5	110.0	110.0	110.0	110.0	110.0	
48		101.8	110.0	110.0	110.0	110.0	110.0	
50		98.9	110.0	110.0	110.0	110.0	110.0	
53		95.0	110.0	110.0	110.0	110.0	110.0	
30		114	110.0	110.0	110.0	110.0	110.0	110.0
36			110.0	110.0	110.0	110.0	110.0	110.0
40	109.8		110.0	110.0	110.0	110.0	110.0	
42	105.7		110.0	110.0	110.0	110.0	110.0	
44	102.0		110.0	110.0	110.0	110.0	110.0	
48	95.6		110.0	110.0	110.0	110.0	110.0	
50	92.8	108.3	110.0	110.0	110.0	110.0		
30	120	110.0	110.0	110.0	110.0	110.0	110.0	
36		110.0	110.0	110.0	110.0	110.0	110.0	
40		103.2	110.0	110.0	110.0	110.0	110.0	
42		99.3	110.0	110.0	110.0	110.0	110.0	
44		95.8	110.0	110.0	110.0	110.0	110.0	
48		89.6	104.6	110.0	110.0	110.0	110.0	

PRODUCT REVISED
 as complying with the Florida
 Building Code

NOA-No. 23-0724.14

Expiration Date 09/05/2024

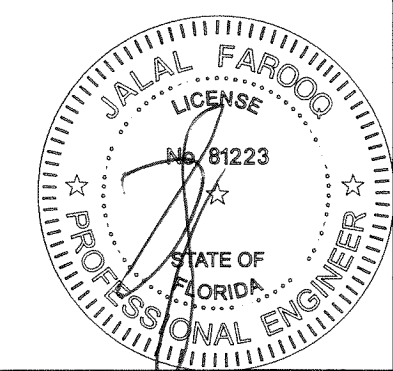
By Ishaq I. Chande
 Miami-Dade Product Control

SEE CHART ON SHEETS 3 THRU 5 FOR DESIGN LOAD CAPACITY
 OF DESIRED GLASS SIZE AND REINFORCING TYPES.

SEE CHART ABOVE FOR HEAD ANCHOR CAPACITY.
 SEE CHART ON SHEET 5.1 FOR SILL ANCHOR CAPACITY.

LOWER DESIGN PRESSURES FROM DESIGN LOAD CHART,
 HEAD ANCHOR CHART OR SILL ANCHOR CHART WILL APPLY
 TO ENTIRE SYSTEM.

JUL 17 2023



afC

AL-FAROOQ CORPORATION
 ENGINEERS & PRODUCT DEVELOPMENT
 9360 SUNSET DRIVE, SUITE 220
 MIAMI, FLORIDA 33173 (C.A.N. 3538)
 TEL. (305) 264-8100 FAX. (305) 262-6978
 COMP-ANL\W12-33ES

SERIES-6100 ALUM SLIDING GLASS DOOR (S.M.I.)

E.S. WINDOWS, LLC
 3550 N.W. 49 STREET
 MIAMI, FL. 33142
 TEL. (305) 638-5151 FAX. (305) 638-5158

no	date	description
E	12.23.15	REV. PER RER COMMENTS
F	01.15.18	GENERAL REVISION
G	03.09.18	REV. PER RER COMMENTS
H	06.22.21	UPDATED TO 2020 FBC
I	07.14.23	NO CHANGE THIS SHEET

date: 06-18-12
 scale: 1/2" = 1"
 dr. by: TARIQ
 chk. by:

drawing no.
W12-33

sheet 5 of 12

SILL ANCHOR LOAD CAPACITY - PSF			
AVERAGE PANEL WIDTH INCHES	DOOR FRAME HEIGHT INCHES	ANCHOR TYPE 'B'	
		4 ANCHORS AT MTG. STILE ENDS	5 ANCHORS AT MTG. STILE ENDS
		EXT. (+) INT. (-)	EXT. (+) INT. (-)
30	82	140.0	140.0
36		140.0	140.0
40		140.0	140.0
42		140.0	140.0
44		140.0	140.0
48		140.0	140.0
50		140.0	140.0
53		140.0	140.0
56		140.0	140.0
60		140.0	140.0
30	84	140.0	140.0
36		140.0	140.0
40		140.0	140.0
42		140.0	140.0
44		140.0	140.0
48		140.0	140.0
50		140.0	140.0
53		140.0	140.0
56		140.0	140.0
60		138.7	140.0
30	90	140.0	140.0
36		140.0	140.0
40		140.0	140.0
42		140.0	140.0
44		140.0	140.0
48		140.0	140.0
50		138.2	140.0
53		133.5	140.0
56		129.4	140.0
60		124.8	140.0
30	96	140.0	140.0
36		140.0	140.0
40		140.0	140.0
42		140.0	140.0
44		138.0	140.0
48		130.0	140.0
50		110.0	110.0
53		110.0	110.0
56		110.0	110.0
60		110.0	110.0
30	102	123.0	123.0
36		123.0	123.0
40		123.0	123.0
42		110.0	110.0
44		110.0	110.0
48		110.0	110.0
50		110.0	110.0
53		110.0	110.0

SILL ANCHOR LOAD CAPACITY - PSF			
AVERAGE PANEL WIDTH INCHES	DOOR FRAME HEIGHT INCHES	ANCHOR TYPE 'B'	
		4 ANCHORS AT MTG. STILE ENDS	5 ANCHORS AT MTG. STILE ENDS
		EXT. (+) INT. (-)	EXT. (+) INT. (-)
30	108-1/2	123.0	123.0
36		123.0	123.0
40		123.0	123.0
42		110.0	110.0
44		110.0	110.0
48		110.0	110.0
50		107.6	110.0
53	103.4	110.0	
30	114	110.0	110.0
36		110.0	110.0
40		110.0	110.0
42		110.0	110.0
44		110.0	110.0
48		104.0	110.0
50		101.0	110.0
30	120	110.0	110.0
36		110.0	110.0
40		110.0	110.0
42		108.1	110.0
44		104.2	110.0
48		97.5	110.0

SEE CHART ON SHEETS 3 THRU 5 FOR DESIGN LOAD CAPACITY OF DESIRED GLASS SIZE AND REINFORCING TYPES.

SEE CHART ABOVE FOR SILL ANCHOR CAPACITY. SEE CHART ON SHEET 5 FOR HEAD ANCHOR CAPACITY.

LOWER DESIGN PRESSURES FROM DESIGN LOAD CHART, HEAD ANCHOR CHART OR SILL ANCHOR CHART WILL APPLY TO ENTIRE SYSTEM.

PRODUCT RENEWED
as complying with the Florida
Building Code
NOA-No. 24-0312.02

Expiration Date 09/05/2029

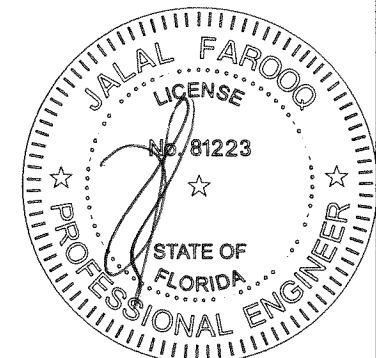
By Ishaq I. Chande
Miami-Dade Product Control

PRODUCT REVISED
as complying with the Florida
Building Code
NOA-No. 23-0724.14

Expiration Date 09/05/2024

By Ishaq I. Chande
Miami-Dade Product Control

JUL 17 2023



AL-FAROOQ CORPORATION
ENGINEERS & PRODUCT DEVELOPMENT
9360 SUNSET DRIVE, SUITE 220
MIAMI, FLORIDA 33173
TEL. (305) 264-8100 FAX. (305) 262-6978
C.A.N. 3538

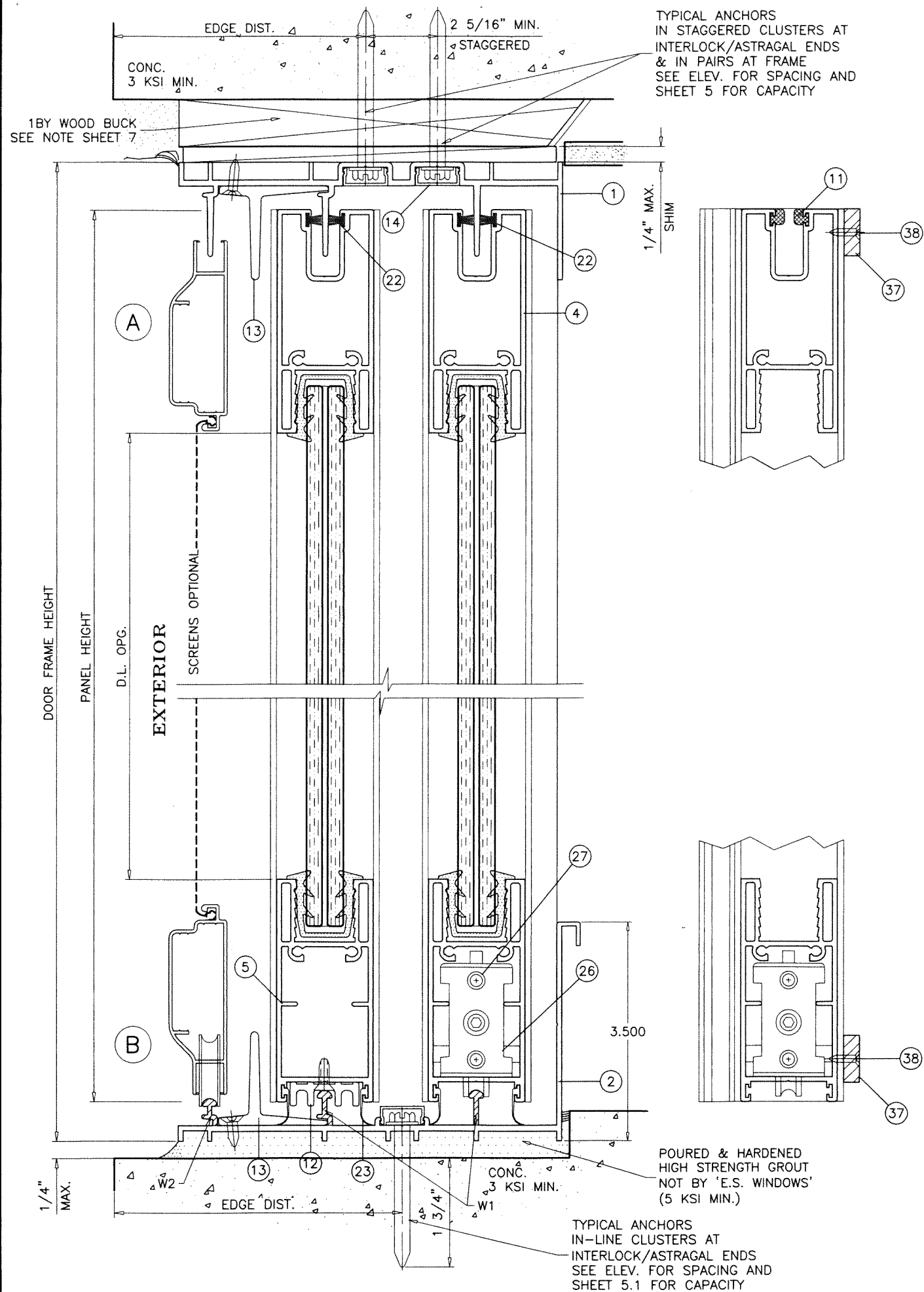
SERIES-6100 ALUM SLIDING GLASS DOOR (S.M.I.)
E.S. WINDOWS, LLC
3550 N.W. 49 STREET
MIAMI, FL. 33142
TEL. (305) 638-5151 FAX. (305) 638-5158

no	date	by	description
F	01.15.18		GENERAL REVISION
G	03.09.18		REV. PER RER COMMENTS
H	06.22.21		UPDATED TO 2020 FBC
I	07.14.23		NO CHANGE THIS SHEET

date: 06-18-12
scale: 1/2" = 1"
dr. by: TARIQ
chk. by:

drawing no.
W12-33
sheet 5.1 of 12

COMP-ANL\W12-33ES



PRODUCT RENEWED
 as complying with the Florida Building Code
 NOA-No. 24-0312.02
 Expiration Date 09/05/2029
 By Ishag I. Chande
 Miami-Dade Product Control

PRODUCT REVISED
 as complying with the Florida Building Code
 NOA-No. 23-0724.14
 Expiration Date 09/05/2024
 By Ishag I. Chande
 Miami-Dade Product Control

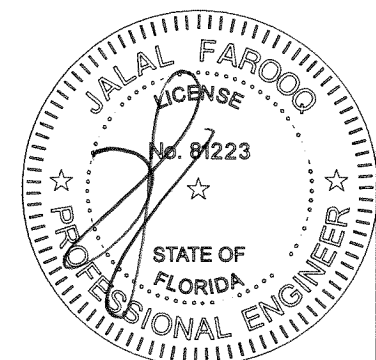
SEALANT:

ALL JOINTS AND FRAME CONNECTIONS SEALED WITH WHITE/ALUMINUM COLORED SILICONE.

WEEPHOLES:

W1 = 2-5/8" LONG WEEP NOTCH AT EACH END
 W2 = 1" LONG WEEP NOTCH AT EACH END

JUL 17 2023



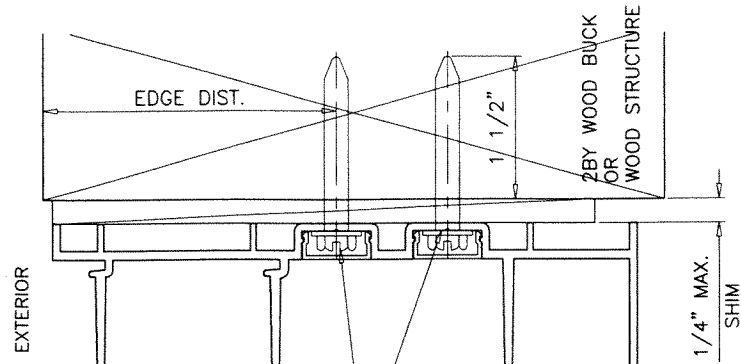
af c
AL-FAROOQ CORPORATION
 ENGINEERS & PRODUCT DEVELOPMENT
 9360 SUNSET DRIVE, SUITE 220 (C.A.N. 3538)
 MIAMI, FLORIDA 33173
 TEL. (305) 264-8100 FAX. (305) 262-6978
 COMP-ANL\W12-33ES

SERIES-6100 ALUM SLIDING GLASS DOOR (S.M.I.)
E.S. WINDOWS, LLC
 3550 N.W. 49 STREET
 MIAMI, FL. 33142
 TEL. (305) 638-5151 FAX. (305) 638-5158

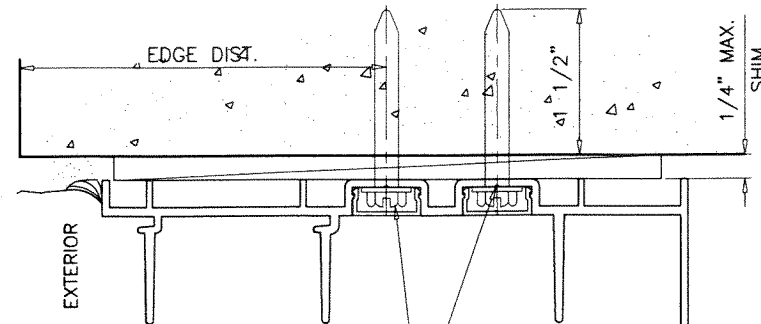
no	date	by	description
E	12.23.15		NO CHANGE THIS SHEET
F	01.15.18		GENERAL REVISION
G	03.09.18		REV. PER RER COMMENTS
H	06.22.21		UPDATED TO 2020 FBC
I	07.14.23		NO CHANGE THIS SHEET

date: 06-18-12
 scale: 1/2" = 1"
 dr. by: TARIQ
 chk. by:

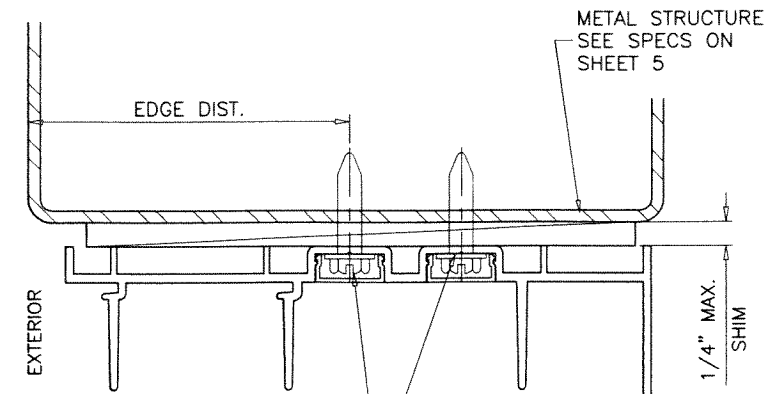
drawing no. **W12-33**
 sheet 6 of 12



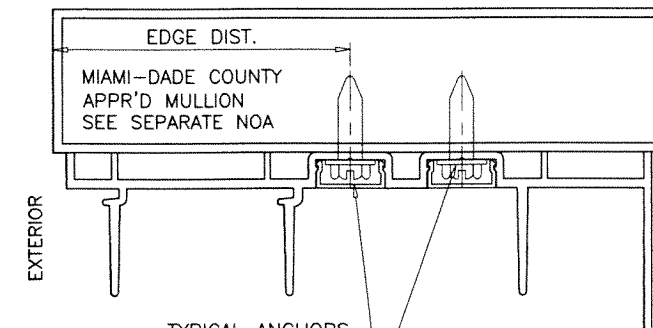
TYPICAL ANCHORS
IN STAGGERED CLUSTERS AT
INTERLOCK/ASTRAGAL ENDS
& IN PAIRS AT FRAME
SEE ELEV. FOR SPACING AND
SHEET 5 FOR CAPACITY



TYPICAL ANCHORS
IN STAGGERED CLUSTERS AT
INTERLOCK/ASTRAGAL ENDS
& IN PAIRS AT FRAME
SEE ELEV. FOR SPACING AND
SHEET 5 FOR CAPACITY



TYPICAL ANCHORS
IN STAGGERED CLUSTERS AT
INTERLOCK/ASTRAGAL ENDS
& IN PAIRS AT FRAME
SEE ELEV. FOR SPACING AND
SHEET 5 FOR CAPACITY



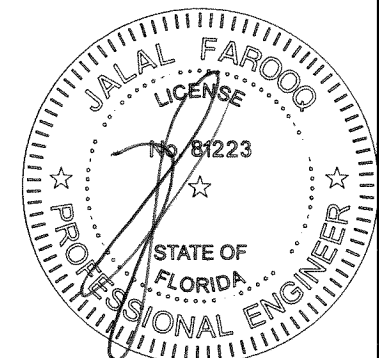
TYPICAL ANCHORS
IN STAGGERED CLUSTERS AT
INTERLOCK/ASTRAGAL ENDS
& IN PAIRS AT FRAME
SEE ELEV. FOR SPACING AND
SHEET 5 FOR CAPACITY

PRODUCT RENEWED
as complying with the Florida
Building Code
NOA-No. 24-0312.02
Expiration Date 09/05/2029
By Ishaq I. Chank
Miami-Dade Product Control

PRODUCT REVISED
as complying with the Florida
Building Code
NOA-No. 23-0724.14
Expiration Date 09/05/2024
By Ishaq I. Chank
Miami-Dade Product Control

1BY OR 2BY WOOD BUCKS AND METAL STRUCTURES NOT BY 'E.S. WINDOWS'
MUST SUPPORT LOADS IMPOSED BY GLAZING SYSTEM AND
TRANSFER THEM TO THE BUILDING STRUCTURE.

JUL 17 2023



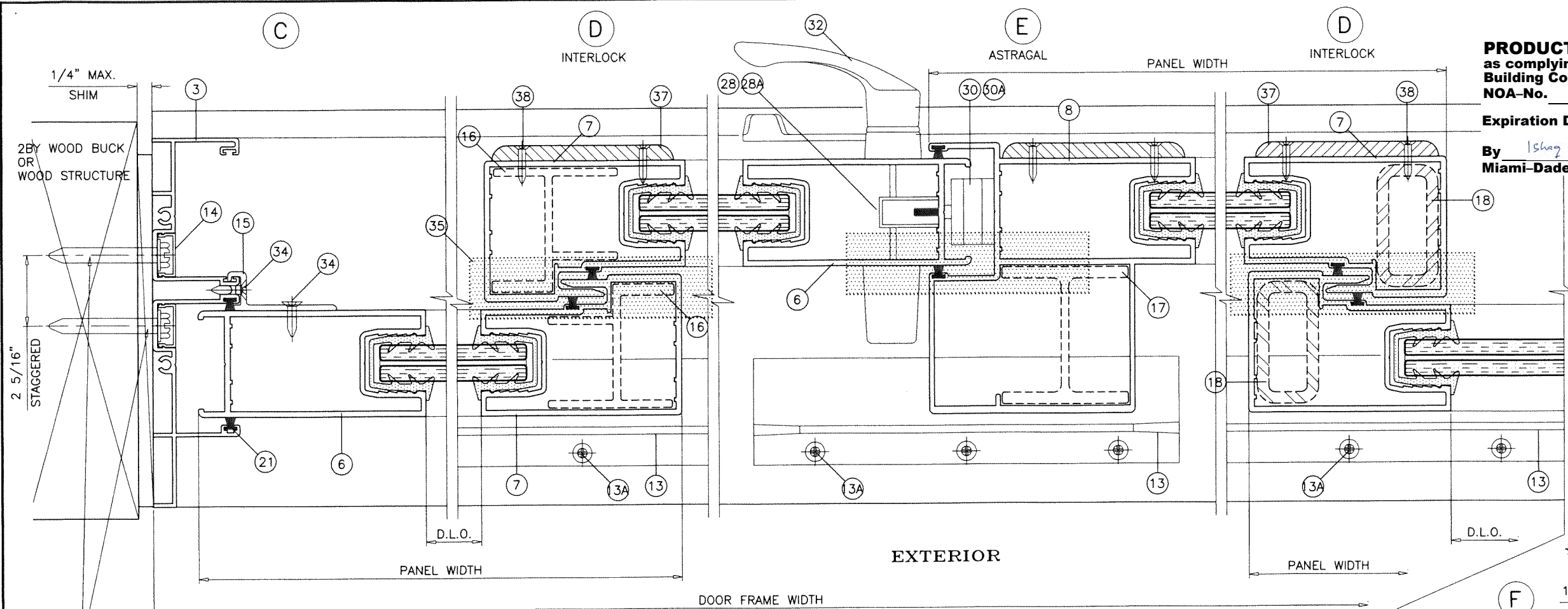
af c
AL-FAROOQ CORPORATION
ENGINEERS & PRODUCT DEVELOPMENT
9360 SUNSET DRIVE, SUITE 220 (C.A.N. 3538)
MIAMI, FLORIDA 33173
TEL. (305) 264-8100 FAX. (305) 262-6978
COMP-ANL \ W12-33ES

SERIES-6100 ALUM SLIDING GLASS DOOR (S.M.I.)
E.S. WINDOWS, LLC
3550 N.W. 49 STREET
MIAMI, FL. 33142
TEL. (305) 638-5151 FAX. (305) 638-5158

no	date	by	description
E	12.23.15		REV. PER RER COMMENTS
F	01.15.18		GENERAL REVISION
G	03.09.18		REV. PER RER COMMENTS
H	06.22.21		UPDATED TO 2020 FBC
I	07.14.23		NO CHANGE THIS SHEET

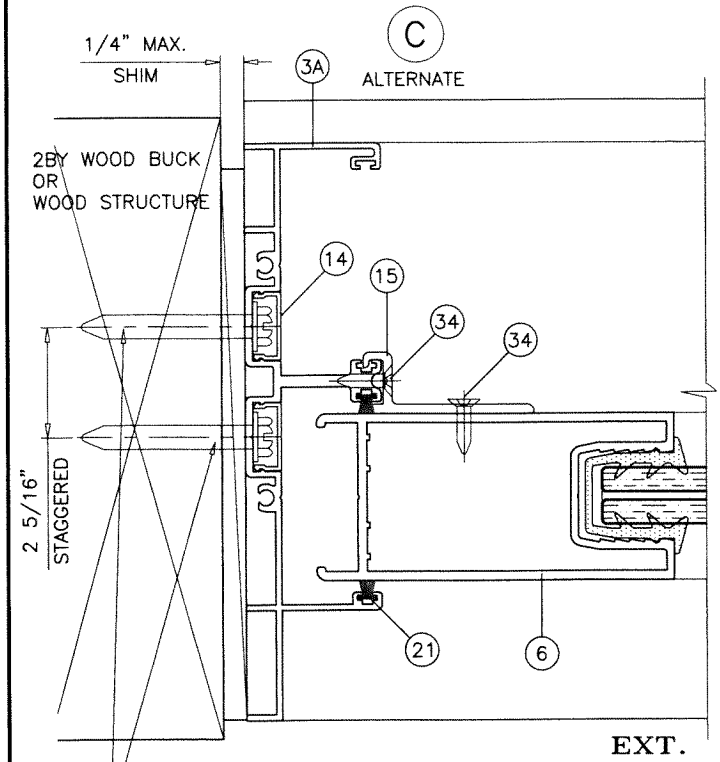
date: 06-18-12
scale: 1/2" = 1"
dr. by: TARIQ
chk. by:

drawing no.
W12-33
sheet 7 of 12

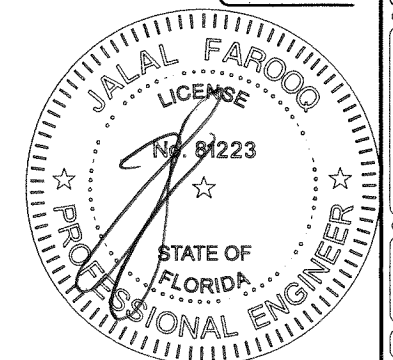
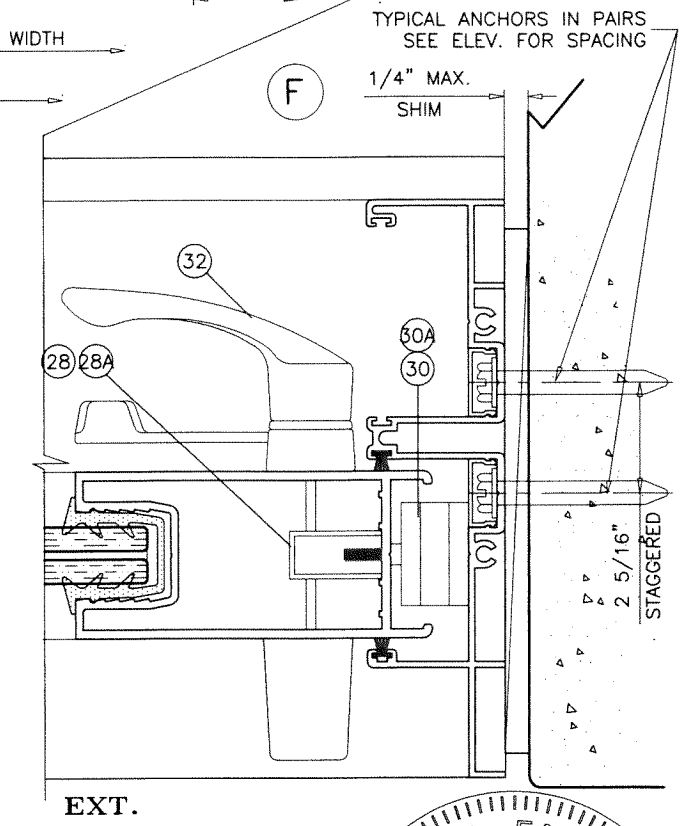
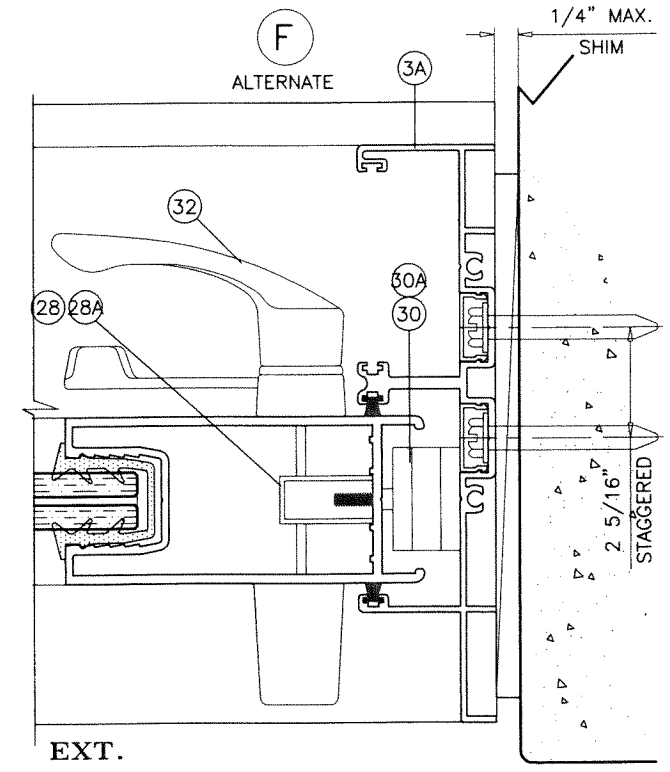


PRODUCT REVISED
 as complying with the Florida
 Building Code
 NOA-No. 23-0724.14
 Expiration Date 09/05/2024
 By Ishag I. Chank
 Miami-Dade Product Control

ALUMINUM AND STEEL REINFORCING AT INTERLOCK AND ASTRAGAL STILES
 SHOWN FOR ILLUSTRATION ONLY.
 USE AS SHOWN ON SHEETS 3 THRU 4.
 SEE CHARTS FOR REINFORCING OPTIONS LOAD CAPACITY, INCLUDING GLASS OPTIONS.
 SEE ELEVATION FOR ANCHOR SPACING AND SHEET 5 & 5.1 FOR ANCHOR CAPACITY.



PRODUCT RENEWED
 as complying with the Florida
 Building Code
 NOA-No. 24-0312.02
 Expiration Date 09/05/2029
 By Ishag I. Chank
 Miami-Dade Product Control



JUL 17 2023

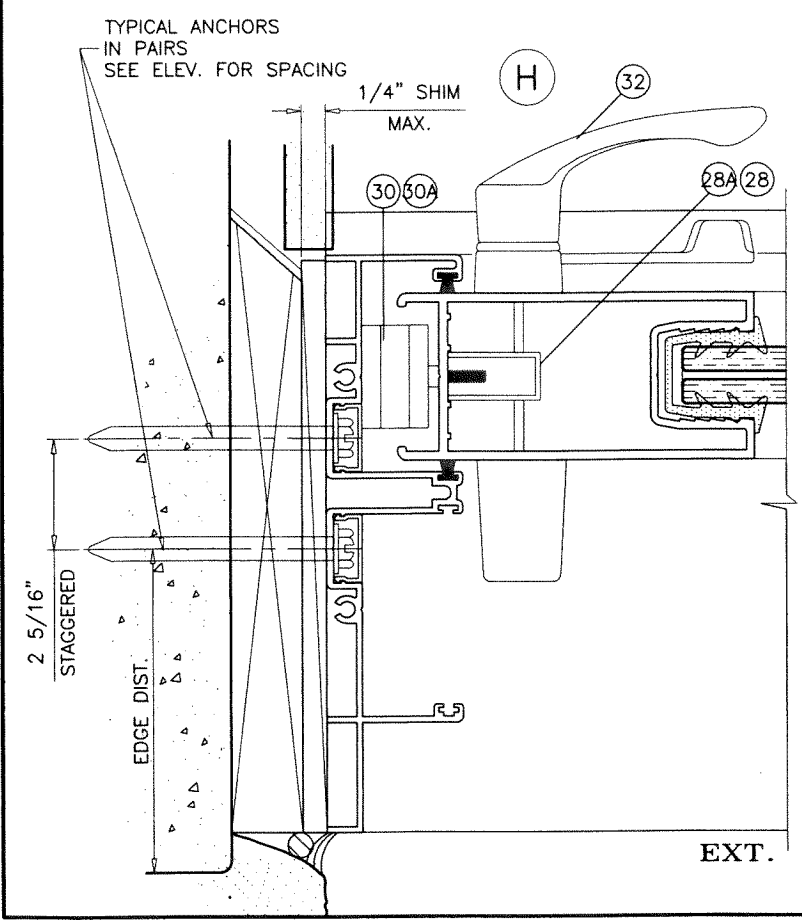
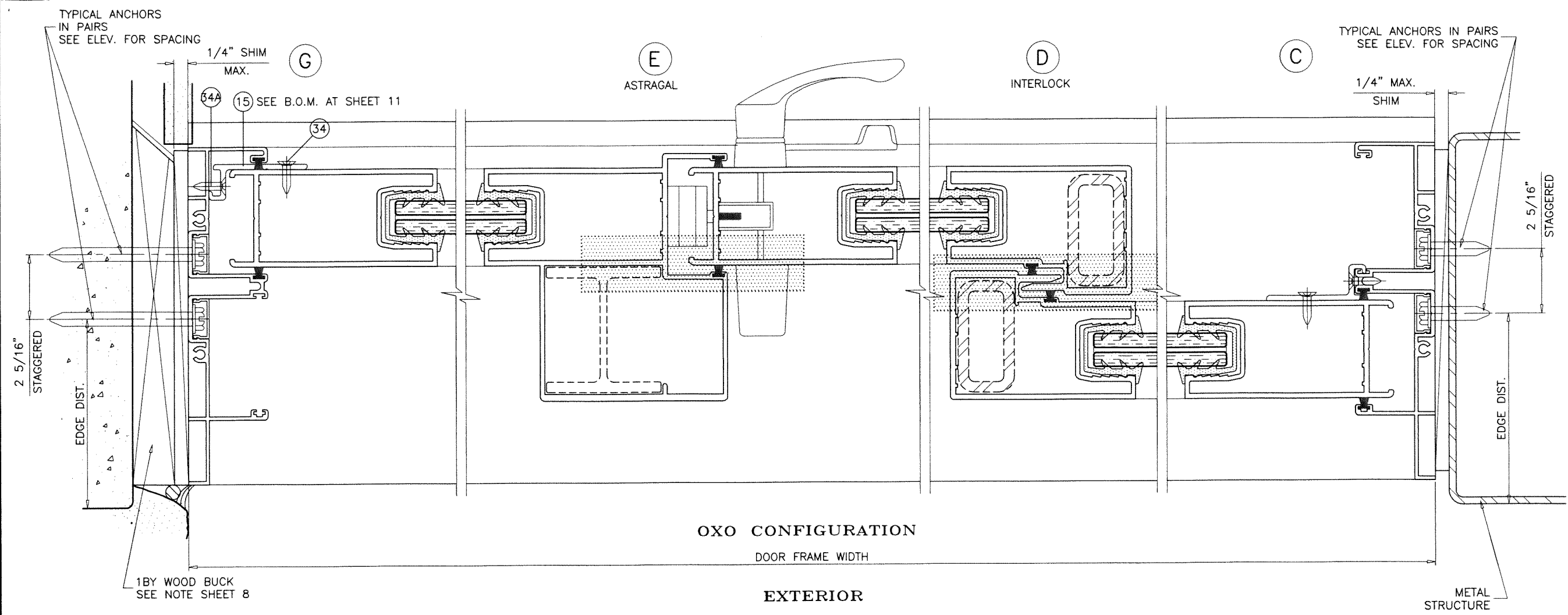
af c
AL-FAROOQ CORPORATION
 ENGINEERS & PRODUCT DEVELOPMENT
 9360 SUNSET DRIVE, SUITE 220
 MIAMI, FLORIDA 33173 (C.A.N. 3538)
 TEL. (305) 264-8100 FAX. (305) 262-6978
 COMP-ANL\W12-33ES

SERIES-6100 ALUM SLIDING GLASS DOOR (S.M.I.)
E.S. WINDOWS, LLC
 3550 N.W. 49 STREET
 MIAMI, FL. 33142
 TEL. (305) 638-5151 FAX. (305) 638-5158

no	date	description
E	12.23.15	REV. PER PER COMMENTS
F	01.15.18	GENERAL REVISION
G	03.09.18	REV. PER PER COMMENTS
H	06.22.21	UPDATED TO 2020 FBC
I	07.14.23	NO CHANGE THIS SHEET

date: 06-18-12
 scale: 1/2" = 1"
 dr. by: TARIQ
 chk. by:

drawing no.
W12-33
 sheet 8 of 12



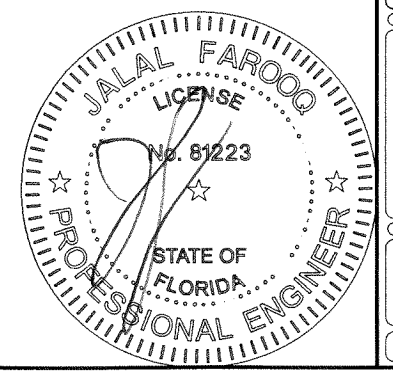
OXO CONFIGURATION
DOOR FRAME WIDTH
EXTERIOR

PRODUCT RENEWED
as complying with the Florida
Building Code
NOA-No. 24-0312.02
Expiration Date 09/05/2029
By Ishag I. Chande
Miami-Dade Product Control

PRODUCT REVISED
as complying with the Florida
Building Code
NOA-No. 23-0724.14
Expiration Date 09/05/2024
By Ishag I. Chande
Miami-Dade Product Control

ALUMINUM AND STEEL REINFORCING AT INTERLOCK AND ASTRAGAL STILES SHOWN FOR ILLUSTRATION ONLY.
USE AS SHOWN ON SHEETS 3 THRU 4.
SEE CHARTS FOR REINFORCING OPTIONS LOAD CAPACITY, INCLUDING GLASS OPTIONS.
SEE ELEVATION FOR ANCHOR SPACING AND SHEET 5 & 5.1 FOR ANCHOR CAPACITY.

JUL 17 2023



AL-FAROOQ CORPORATION
ENGINEERS & PRODUCT DEVELOPMENT
9360 SUNSET DRIVE, SUITE 220
MIAMI, FLORIDA 33173 (C.A.N. 3538)
TEL. (305) 264-8100 FAX. (305) 262-6978
COMP-ANL W12-33ES

SERIES-6100 ALUM SLIDING GLASS DOOR (S.M.I.)
E.S. WINDOWS, LLC
3550 N.W. 49 STREET
MIAMI, FL. 33142
TEL. (305) 638-5151 FAX. (305) 638-5158

no	date	description	by
E	12.23.15	REV. PER PER COMMENTS	
F	01.15.18	GENERAL REVISION	
G	03.09.18	REV. PER PER COMMENTS	
H	06.22.21	UPDATED TO 2020 FBC	
I	07.14.23	NO CHANGE THIS SHEET	

date:	06-18-12
scale:	1/2" = 1"
dr. by:	TARIQ
chk. by:	

drawing no.	W12-33
sheet	9 of 12

ITEM #	PART #	QUANTITY	DESCRIPTION	MATERIAL	MANF./SUPPLIER/REMARKS
1	ES6001	1	FRAME HEAD	6005-T5	-
2	ES6023	1	FRAME SILL - 3-1/2" HIGH	6005-T5	-
3	ES6003	2	FRAME JAMB	6063-T6	-
3A	ES6030	2	ALTERNATE FRAME JAMB	6063-T6	-
4	ES-6000-040	2/ PANEL	TOP RAIL	6063-T6	-
5	ES-6000-041	2/ PANEL	BOTTOM RAIL	6063-T6	-
6	ES-6000-042	AS REQD.	LOCK STILE	6063-T6	-
7	ES-6000-043	AS REQD.	INTERLOCK	6063-T6	-
8	ES-6000-044	AS REQD.	FEMALE ASTRAGAL	6063-T6	-
10	27-564	4/ PANEL	GLAZING GASKET	SILICONE	DUROMETER 65±5 SHORE A, EXTRUSIONS S.A.
11	ES6016	4/ PANEL	PANEL GUIDE (TOP ONLY)	CELCON	LOCATED AT PANEL ENDS
12	ES6015	2/ PANEL	FIXED PANEL BOTTOM GUIDE	6063-T6	SECURE W/ (2) #8 X 3/4" FH SMS
13	ES6010	2/ PANEL	RETAINER CLIP, 8" LONG AT HEAD, 7" LONG AT SILL	6005-T5	AT MTG. RAIL HEAD & SILL ENDS
13A	#8 X 3/4"	3/ CLIP	RETAINER CLIP FASTENERS	ST. STEEL	FH SMS
14	ES6011	2/ JAMB	JAMB SCREW COVER	6063-T5	OPTIONAL
15	ES6014	3/ FIX. PANEL	FIXED PANEL CLIP, 4" LONG, AT 53" O.C.	6063-T6	AT 7" FROM EACH END AND AT MIDSPAN
16	ES6012	AS REQD.	INTERLOCK STIFFENER (LENGTH = PANEL HT. - 2-3/8")	6063-T6	-
17	ES6013	AS REQD.	ASTRAGAL STIFFENER (LENGTH = PANEL HT. - 2-3/8")	6063-T6	-
18	1" X 2" X 3/16"	AS REQD.	STEEL TUBE REINFORCING (LENGTH = PANEL HT. - 2-3/8")	A36 STEEL	TO BE PAINTED
21	W222521K	AS REQD.	STILE & JAMB W'STRIPPING	-	ULTRAFAB
22	W223221K	AS REQD.	TOP RAIL PILE W'STRIPPING	-	ULTRAFAB
23	ES6027	AS REQD.	BOTTOM RAIL W'STRIPPING	EPDM	DUROMETER 75±4 SHORE A
24	#10 X 1-1/2" PH SMS	8/ PANEL	PANEL ASSY SCREWS	-	-
25	#10 X 1" PH SMS	2/ CORNER	FRAME ASSY SCREWS	-	-
26	GTT-354/460-A	2/ MOV. PANEL	TANDEM ACETAL WHEEL IN METALLIC HOUSING	-	PABOSE
27	1/4-20 X 1-3/4" PH MS	1/ ROLLER	ROLLER INST. SCREWS	-	-
28	2300-10SS	1/ MOV. PANEL	STD. MORTISE LOCK, AT 48-1/2" FROM BOTTOM	ST. STEEL	-
28A	2468T-00	1/ MOV. PANEL	MULTI POINT MORTISE LOCK, AT 48-1/2" FROM BOTTOM	ST. STEEL	WITH 2448 TRIM PLATE
29	#10-24 X 3/8" PH MS	2/ LOCK	LOCK INSTALLATION SCREW	ST. STEEL	-
30	ES6017-1	1/ LOCK	LOCK KEEPER (STD. LOCK)	PLATED STEEL	AT 48-1/2" FROM BOTTOM
30A	2447-00	1/ LOCK	LOCK KEEPER (MULTI POINT LOCK)	ST. STEEL	AT 48-1/2" FROM BOTTOM
31	#10 X 5/8" PH SMS B	2/ LOCK	LOCK KEEPER MOUNT. SCREW (STD. LOCK)	ST. STEEL	-
31A	#8 X 3/4" FH SMS	4/ LOCK	LOCK KEEPER MOUNT. SCREW (MULTI POINT LOCK)	ST. STEEL	-
32	#623Z	1/ LOCK	INTERIOR AND EXTERIOR PULL	-	(3) #6-32 X 1/2" FH MS, ST. STEEL
34	#12 X 3/4"	2/ CLIP	FIXED PANEL CLIP FASTENER	ST. STEEL	FH SMS
35	-	AS REQD.	1"X4" LONG SELF ADHESIVE PILE PAD	WOOLPILE	AT HEAD AND SILL
37	ES6019	AS REQD.	RESTRAINING PLATE	NYLON	AT TOP & BOTT. INTERLOCKS & ASTRAGAL
38	#8 X 3/4" FH SMS	2/ PLATE	RESTRAINING PLATE FASTENER	-	-

LATCHES:

ITEMS 28A AND 30A USED FOR DOORS WITH STEEL REINFORCING ONLY
ITEMS 28 AND 30 USED FOR ALL OTHER DOORS.

PRODUCT RENEWED
as complying with the Florida
Building Code
NOA-No. 24-0312.02
Expiration Date 09/05/2029
By Ishaq I. Chande
Miami-Dade Product Control

PRODUCT REVISED
as complying with the Florida
Building Code
NOA-No. 23-0724.14
Expiration Date 09/05/2024
By Ishaq I. Chande
Miami-Dade Product Control

afC
AL-FAROOQ CORPORATION
ENGINEERS & PRODUCT DEVELOPMENT
9360 SUNSET DRIVE, SUITE 220
MIAMI, FLORIDA 33173 (C.A.N. 3538)
TEL. (305) 264-8100 FAX. (305) 262-6978
COMP-ANL\W12-33ES

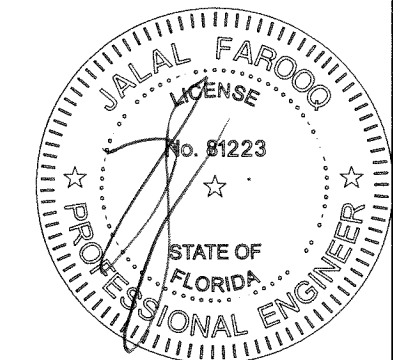
SERIES-6100 ALUM SLIDING GLASS DOOR (S.M.I.)
E.S. WINDOWS, LLC
3550 N.W. 49 STREET
MIAMI, FL. 33142
TEL. (305) 638-5151 FAX. (305) 638-5158

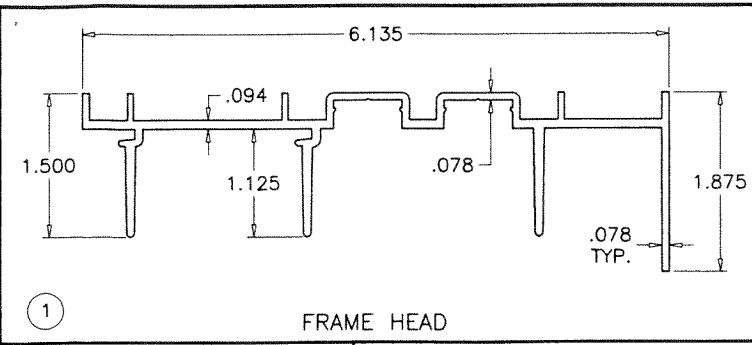
no	date	description
E	12.23.15	REV. PER PER COMMENTS
F	01.15.18	GENERAL REVISION
G	03.09.18	REV. PER PER COMMENTS
H	06.22.21	UPDATED TO 2020 FBC
I	07.14.23	NO CHANGE THIS SHEET

date: 06-18-12
scale: 1/2" = 1"
dr. by: TARIQ
chk. by:

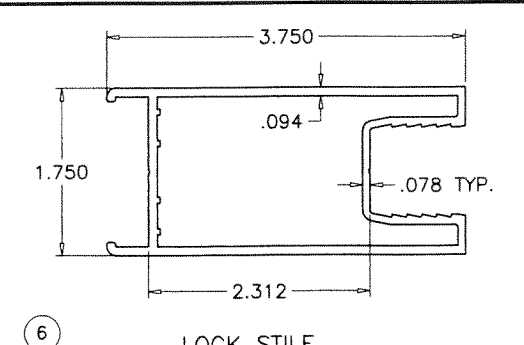
drawing no.
W12-33
sheet 10 of 12

JUL 17 2023

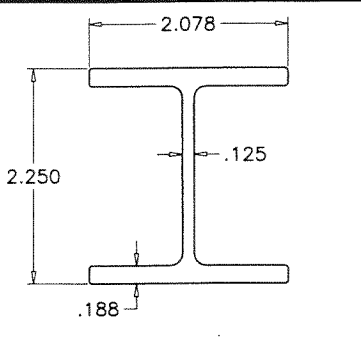




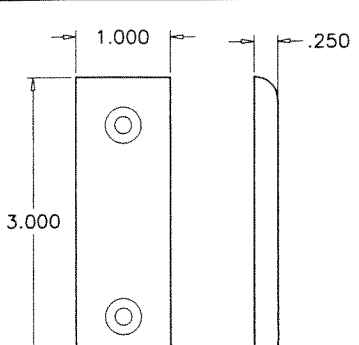
1 FRAME HEAD



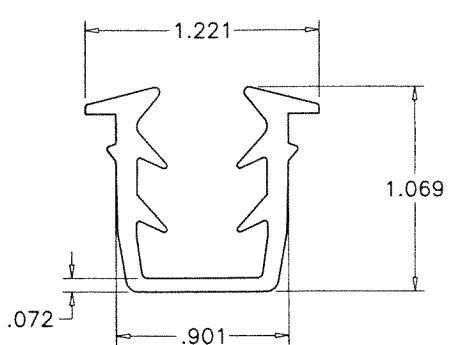
6 LOCK STILE



17 ASTRAGAL STIFFENER

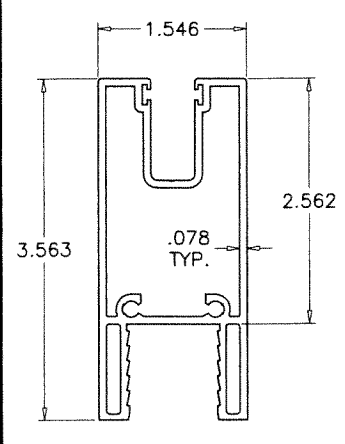


37 RESTRAINING PLATE

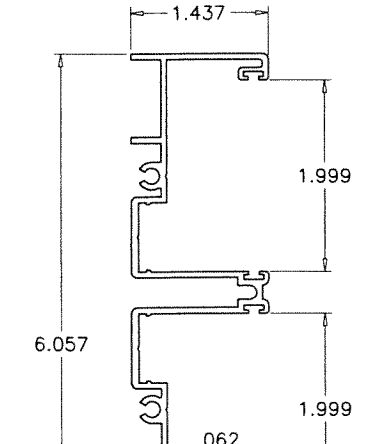


BASE POLYMER = EPDM RUBBER
 DENSITY = 10.26 Lbs/Gal
 HARDNESS = 70±5
 TENSILE STRENGTH = 905 PSI
 ELONGATION AT BREAK = 273%
 TEAR STRENGTH = 1.343 Kip/ft
 BRITTLENESS TEMPERATURE = -40° F
 COMPRESSION SET = 27% (22h@158°F)

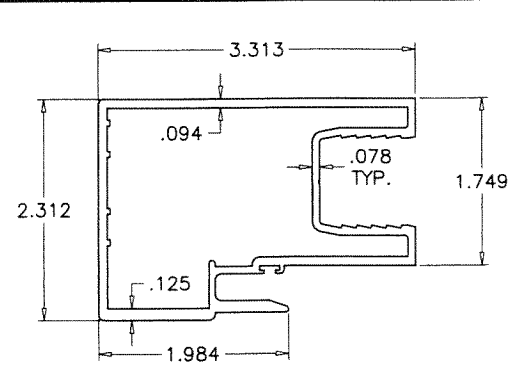
10 GLAZING GASKET
SCALE 1:1



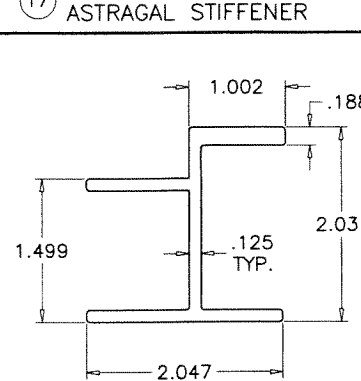
4 PANEL TOP RAIL



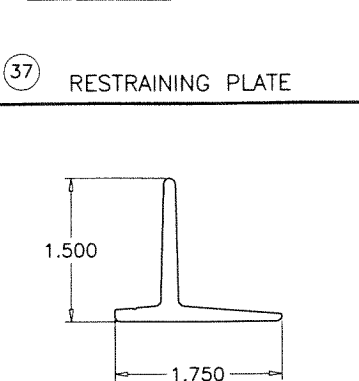
3 FRAME JAMB



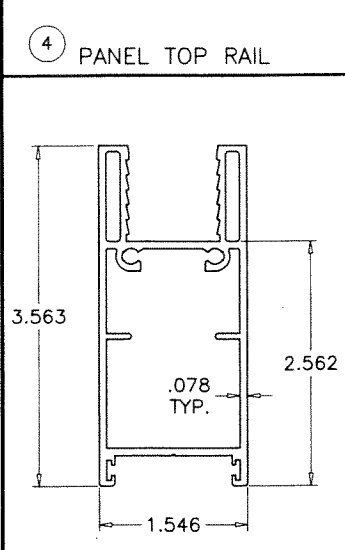
7 INTERLOCK STILE



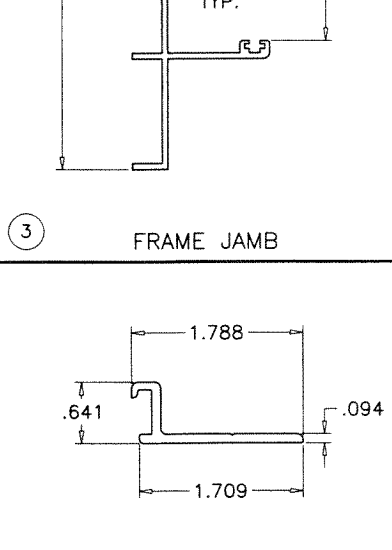
16 INTERLOCK STIFFENER



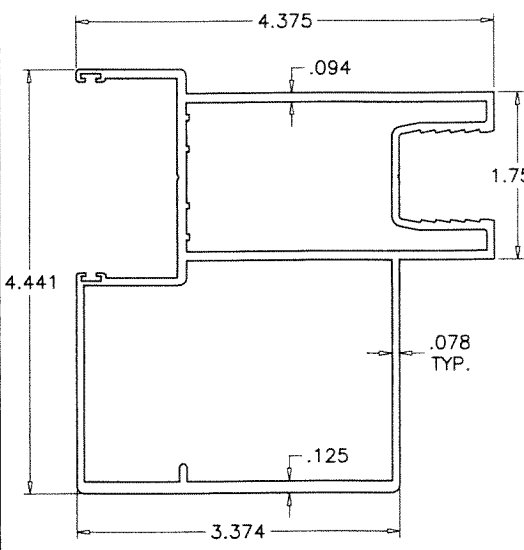
13 RETAINER CLIP



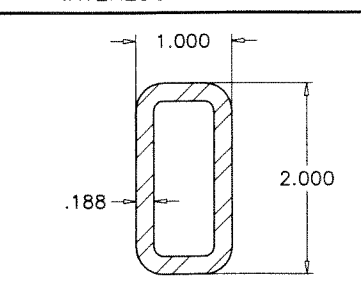
5 PANEL BOTTOM RAIL



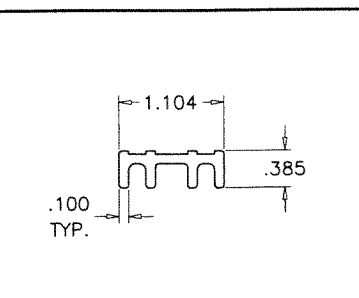
15 FIXED PANEL CLIP



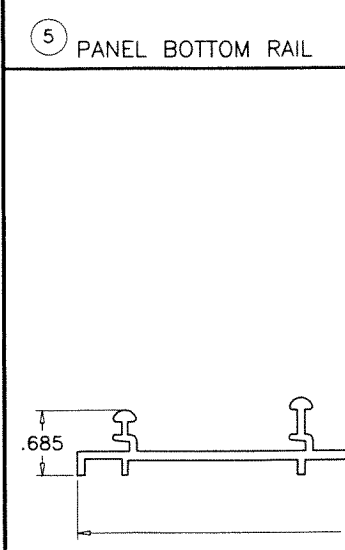
8 ASTRAGAL STILE



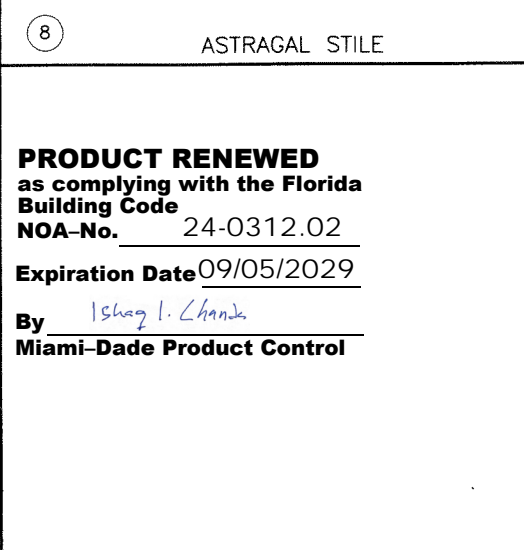
18 INTERLOCK REINFORCING



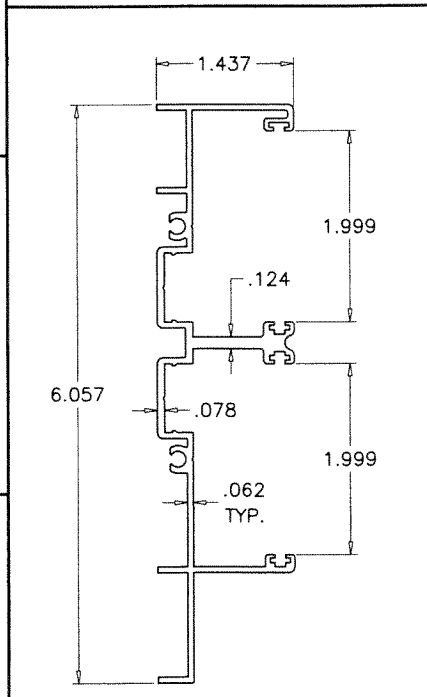
12 FIX. PANEL BOTTOM GUIDE



2 FRAME SILL



14 SCREW COVER

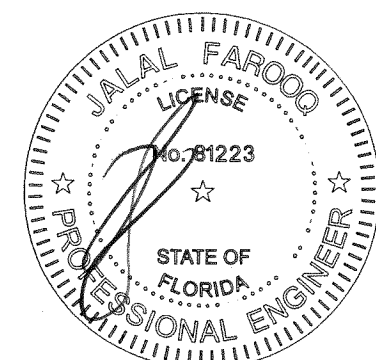


3A ALT. FRAME JAMB

PRODUCT REVISED
 as complying with the Florida Building Code
 NOA-No. 23-0724.14
 Expiration Date 09/05/2024
 By Ishaq I. Chande
 Miami-Dade Product Control

PRODUCT RENEWED
 as complying with the Florida Building Code
 NOA-No. 24-0312.02
 Expiration Date 09/05/2029
 By Ishaq I. Chande
 Miami-Dade Product Control

JUL 17 2023



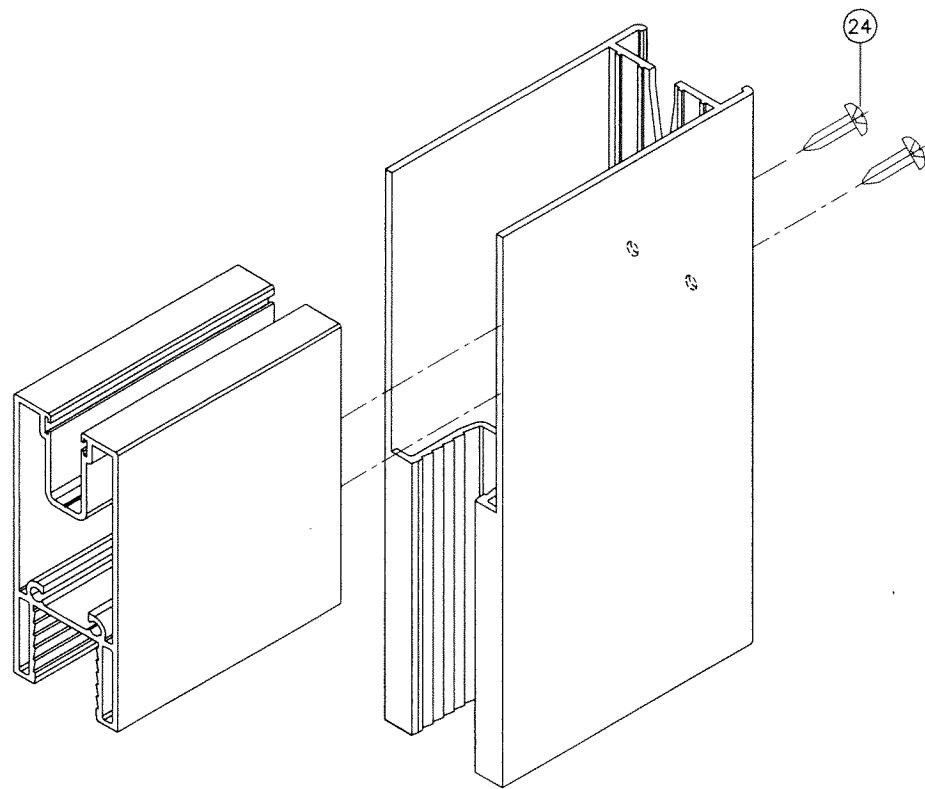
AL-FAROOQ CORPORATION
 ENGINEERS & PRODUCT DEVELOPMENT
 9360 SUNSET DRIVE, SUITE 220
 MIAMI, FLORIDA 33173
 TEL. (305) 264-8100 FAX. (305) 262-6978
 (C.A.N. 353B)
 COMP-ANL\W12-33ES

SERIES-6100 ALUM SLIDING GLASS DOOR (S.M.I.)
E.S. WINDOWS, LLC
 3550 N.W. 49 STREET
 MIAMI, FL. 33142
 TEL. (305) 638-5151 FAX. (305) 638-5158

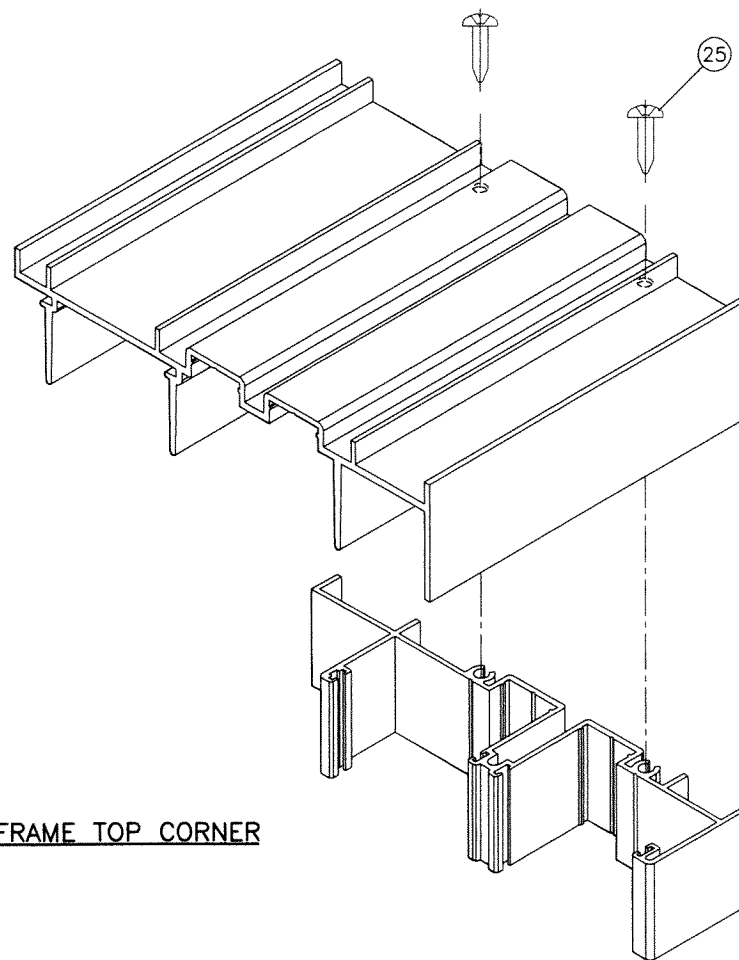
no	date	description
E	12.23.15	NO CHANGE THIS SHEET
F	01.15.18	GENERAL REVISION
G	03.09.18	REV. PER RER COMMENTS
H	06.22.21	UPDATED TO 2020 FBC
I	07.14.23	NO CHANGE THIS SHEET

date: 06-18-12
 scale: 1/2" = 1"
 dr. by: TARIQ
 chk. by:

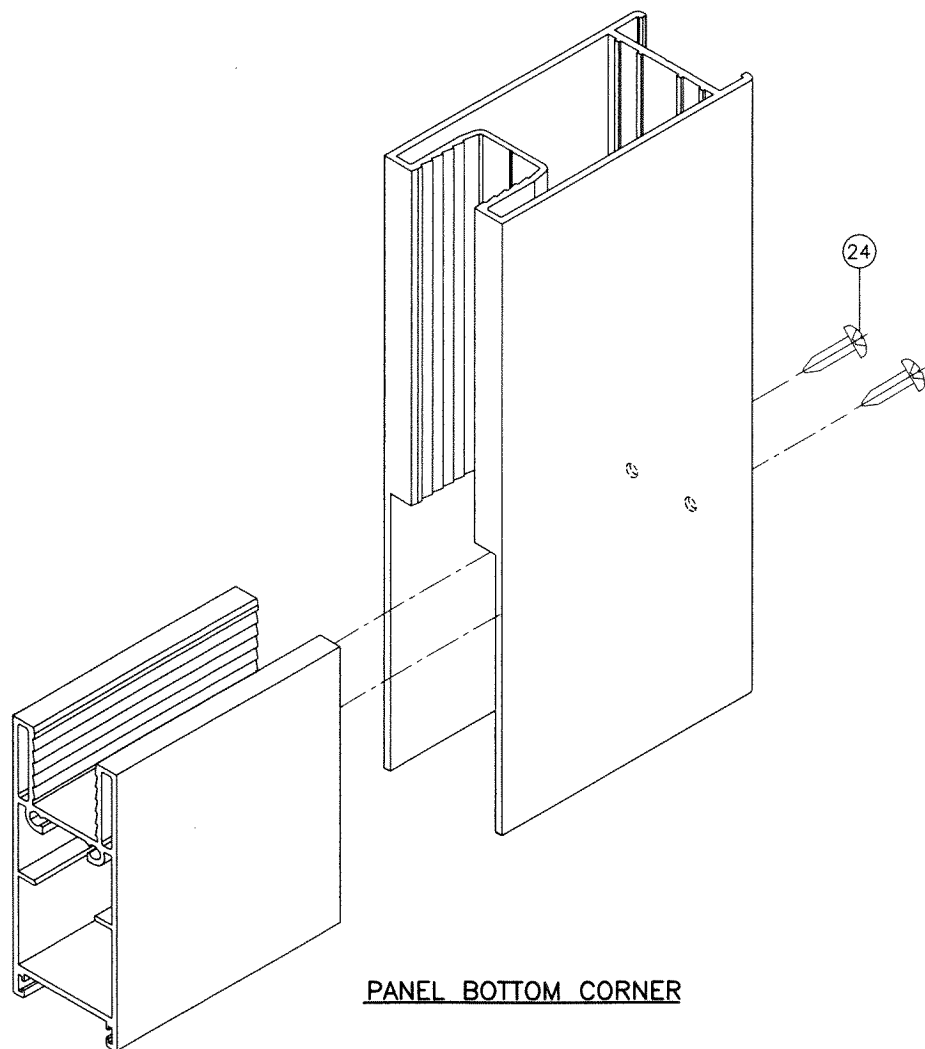
drawing no.
W12-33
 sheet 11 of 12



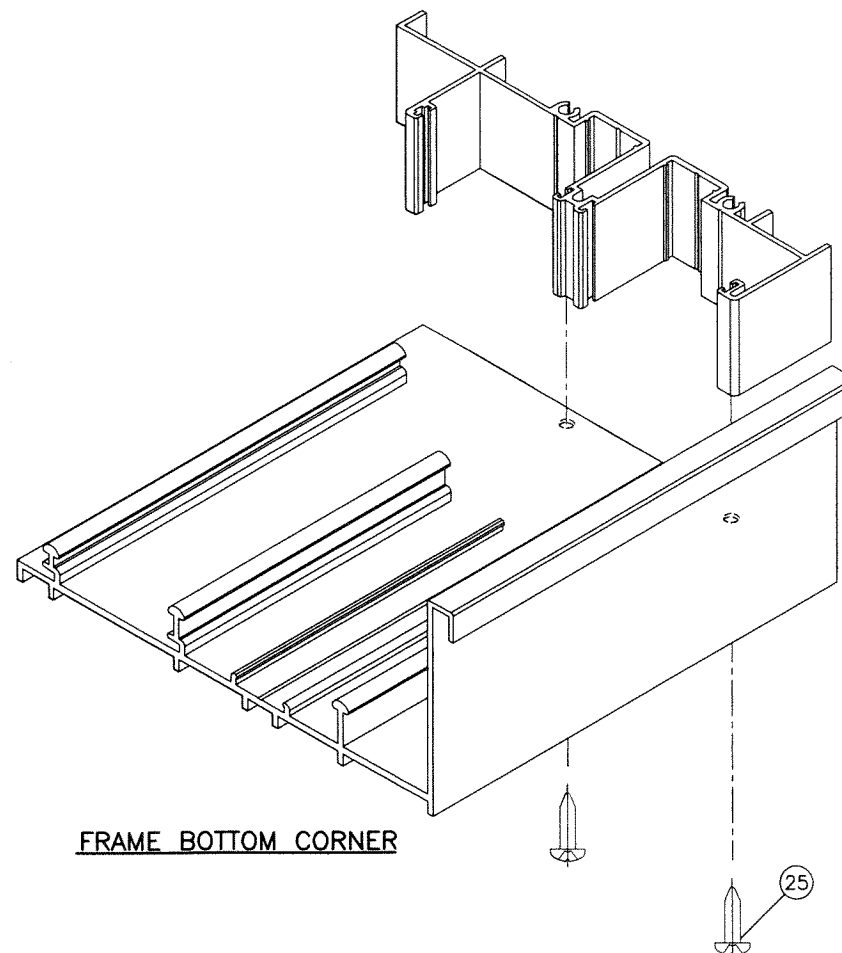
PANEL TOP CORNER



FRAME TOP CORNER



PANEL BOTTOM CORNER



FRAME BOTTOM CORNER

PRODUCT RENEWED
as complying with the Florida
Building Code
NOA-No. 24-0312.02

Expiration Date 09/05/2029

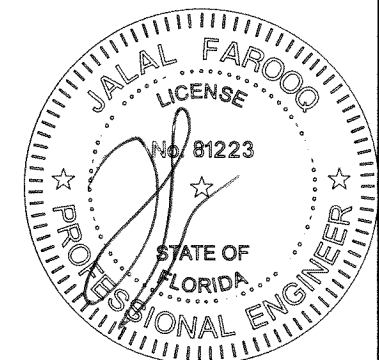
By Ishaq I. Chande
Miami-Dade Product Control

PRODUCT REVISED
as complying with the Florida
Building Code
NOA-No. 23-0724.14

Expiration Date 09/05/2024

By Ishaq I. Chande
Miami-Dade Product Control

JUL 17 2023



af c
AL-FAROOQ CORPORATION
ENGINEERS & PRODUCT DEVELOPMENT
9360 SUNSET DRIVE, SUITE 220 (C.A.N. 3588)
MIAMI, FLORIDA 33173 TEL. (305) 264-8100 FAX. (305) 262-6978

SERIES-6100 ALUM SLIDING GLASS DOOR (S.M.I.)

E.S. WINDOWS, LLC
3550 N.W. 49 STREET
MIAMI, FL. 33142
TEL. (305) 638-5151 FAX. (305) 638-5158

no	date	by	description
E	12.23.15		NO CHANGE THIS SHEET
F	01.15.18		GENERAL REVISION
G	03.09.18		REV. PER RER COMMENTS
H	06.22.21		UPDATED TO 2020 FBC
I	07.14.23		NO CHANGE THIS SHEET

date: 06-18-12
scale: 1/2" = 1"
dr. by: TARIQ
chk. by:

drawing no.
W12-33

sheet 12 of 12

COMP-ANL\W12-33ES