



DEPARTMENT OF REGULATORY AND ECONOMIC RESOURCES (RER)
BOARD AND CODE ADMINISTRATION DIVISION

MIAMI-DADE COUNTY
PRODUCT CONTROL SECTION
11805 SW 26 Street, Room 208
Miami, Florida 33175-2474
T (786) 315-2590 F (786) 315-2599

www.miamidade.gov/economy

NOTICE OF ACCEPTANCE (NOA)

NCI Group, Inc.
7301 Fairview
Houston, TX 77041

SCOPE:

This NOA is being issued under the applicable rules and regulations governing the use of construction materials. The documentation submitted has been reviewed and accepted by Miami-Dade County RER- Product Control Section to be used in Miami Dade County and other areas where allowed by the Authority Having Jurisdiction (AHJ).

This NOA shall not be valid after the expiration date stated below. The Miami-Dade County Product Control Section (In Miami Dade County) and/or the AHJ (in areas other than Miami Dade County) reserve the right to have this product or material tested for quality assurance purposes. If this product or material fails to perform in the accepted manner, the manufacturer will incur the expense of such testing and the AHJ may immediately revoke, modify, or suspend the use of such product or material within their jurisdiction. RER reserves the right to revoke this acceptance if it is determined by Miami-Dade County Product Control Section that this product or material fails to meet the requirements of the applicable building code.

This product is approved as described herein and has been designed to comply with the High Velocity Hurricane Zone of the Florida Building Code.

DESCRIPTION: (Superlok-16) 0.029” (min.) Standing Seam Metal Roof Panel

APPROVAL DOCUMENT: No Drawing number, titled “ Superlok Panel Detail ”, sheets 1 through 7 of 7, prepared by NCI Group, Inc., dated April 25, 2024, signed and sealed by Lisa Marie Reimert, P.E. on April 25, 2024 bearing the Miami-Dade County Product Control Revision stamp with the Notice of Acceptance number and the expiration date by the Miami-Dade County Product Control Section.

MISSILE IMPACT RATING: Large and Small Missile Impact Resistant

LABELING: Each panel shall bear a permanent label with the manufacturer's name or logo, city, state and the following statement: "Miami-Dade County Product Control Approved", unless otherwise noted herein.

RENEWAL of this NOA shall be considered after a renewal application has been filed and there has been no change in the applicable building code negatively affecting the performance of this product.

TERMINATION of this NOA will occur after the expiration date or if there has been a revision or change in the materials, use, and/or manufacture of the product or process. Misuse of this NOA as an endorsement of any product, for sales, advertising or any other purposes shall automatically terminate this NOA. Failure to comply with any section of this NOA shall be cause for termination and removal of NOA.

ADVERTISEMENT: The NOA number preceded by the words Miami-Dade County, Florida, and followed by the expiration date may be displayed in advertising literature. If any portion of the NOA is displayed, then it shall be done in its entirety.

INSPECTION: A copy of this entire NOA shall be provided to the user by the manufacturer or its distributors and shall be available for inspection at the job site at the request of the Building Official.

This NOA **revises and renews** NOA #21-0615.06 and consists of this page 1, evidence submitted pages E-1, E-2, E-3, E-4 & E-5 as well as approval document mentioned above.

The submitted documentation was reviewed by **Helmy A. Makar, P.E., M.S.**



Helmy A. Makar
09/05/24

NOA No. 24-0429.04
Expiration Date: 07/06/2029
Approval Date: 09/05/2024

NCI Group, Inc.

NOTICE OF ACCEPTANCE: EVIDENCE SUBMITTED

1. EVIDENCE SUBMITTED UNDER PREVIOUS APPROVAL # 00-0501.08

A. DRAWINGS

1. *Drawing No. SL 22, titled "Superlok Details", prepared by Terrence E. Wolfe, P.E., dated March 25, 1998, sheets 1, 2, 3, 4, 5, 6, and 7 of 7, signed and sealed by Terrence E. Wolfe, P.E. on May 30, 2000.*

B. TESTS

1. *Test report on Uniform Static Air Pressure, ASTM 1592-95, on 22 ga. Superlok Roof Panel, prepared by Farabaugh Engineering and Testing, Inc., Report No. FET97005-T166-97, dated 04/20/2000, signed and sealed by Daniel G. Farabaugh, P.E.*
2. *Susceptibility to leakage test in accordance with Miami-Dade county Protocol PA 114 Appendix G on 24 ga. Superlok Roof Panel, prepared by Celotex, Report No. 258444 CAE 97192, dated May 1 thru 8, 1998, signed and sealed by R. G. Miller, P.E. (This is a copy from Product Control Approval No. 98-0529.06).*
3. *Wind Driven Rain Test in accordance with Miami-Dade county Protocol PA 100-95 on 24 ga. Superlok Roof Panel, prepared by Celotex, Report No. 258444A CAE 97193, dated March 10, 1998, signed and sealed by R. G. Miller, P.E. (This is a copy from Product Control Approval No. 98-0529.06).*

C. CALCULATIONS

1. *Calculations titled "Superlok - 22 ga", pages 1 and 2, prepared by Terrence E. Wolfe, P.E., signed and sealed by Terrence E. Wolfe P.E. on 04/26/2000.*

D. MATERIAL CERTIFICATIONS

1. *Mill Certified Test Report issued by Bethlehem Steel Corporation, dated 06/22/98, with chemical composition and mechanical properties of galvalume painted structural steel coils ASTM A792 Grade 50A.*
2. *Tensile Test File No. WP-9048 Report No. 055, prepared by West Penn Testing Laboratories, Inc., dated 12/12/97, signed Todd A. Ault (M.E.T.).*

2. EVIDENCE SUBMITTED UNDER PREVIOUS APPROVAL #03-0128.07

A. DRAWINGS

1. *None.*

B. TESTS

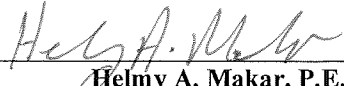
1. *None.*

C. CALCULATIONS

1. *None.*

D. MATERIAL CERTIFICATIONS

1. *None.*



Helmy A. Makar, P.E., M.S.
Product Control Section Supervisor
NOA No. 24-0429.04
Expiration Date: 07/06/2029
Approval Date: 09/05/2024

NCI Group, Inc.

NOTICE OF ACCEPTANCE: EVIDENCE SUBMITTED

E. STATEMENTS

1. *Letter by MBCI, signed by Mr. Brian N. Jaks, P.E., requesting to renew his Approval No. 00-0501.08 and stating that the "Superlok-16" 22 ga. Roof panel has not changed in any form since the last Notice of Acceptance.*

3. EVIDENCE SUBMITTED UNDER PREVIOUS APPROVAL #08-0505.04

A. DRAWINGS

1. *None.*

B. TESTS

1. *Test report on Uniform Static Air Pressure, ASTM 1592-95, on 22 ga. Superlok Roof Panel, prepared by Farabaugh Engineering and Testing, Inc., Report No. FET149-08, dated 03/31/2008, signed and sealed by Daniel G. Farabaugh, P.E.*
2. *Susceptibility to leakage test in accordance with Miami-Dade county Protocol FM 4471 Appendix G on 24 ga. Superlok Roof Panel, prepared by Celotex, Report No. T293-07, dated 09/26/2007, signed and sealed by Daniel G. Farabaugh, P.E.*
3. *Wind Driven Rain Test in accordance with Miami-Dade county Protocol PA 100-95 on 24 ga. Superlok Roof Panel, prepared by Celotex, Report No. T292-07, dated 09/26/2007, signed and sealed by Daniel G. Farabaugh, P.E.*

C. CALCULATIONS

1. *None.*

D. QUALITY ASSURANCE

1. *By Miami-Dade County Building Code Compliance Office.*

E. MATERIAL CERTIFICATIONS

1. *Tensile Test File No. WP-9048 Report No. 055, prepared by West Penn Testing Laboratories, Inc., dated 03/24/2008, signed Todd A. Ault.*

4. EVIDENCE SUBMITTED UNDER PREVIOUS APPROVAL # 11-0810.09

A. DRAWINGS

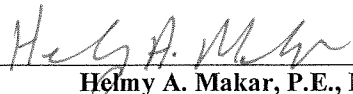
1. *No Drawing number, titled " Superlok Panel Detail ", sheets 1 through 7 of 7, prepared by NCI Group, Inc., dated July 27, 2011, signed and sealed by Mark Detwiler, P.E. on July 27, 2011.*

B. TESTS

1. *None.*

C. CALCULATIONS

1. *None.*



Helmy A. Makar, P.E., M.S.
Product Control Section Supervisor
NOA No. 24-0429.04
Expiration Date: 07/06/2029
Approval Date: 09/05/2024

NCI Group, Inc.

NOTICE OF ACCEPTANCE: EVIDENCE SUBMITTED

D. QUALITY ASSURANCE

1. *By Miami-Dade County Department of Permitting, Environment, and Regulatory Affairs (PERA).*

E. MATERIAL CERTIFICATIONS

1. *None.*

5. EVIDENCE SUBMITTED UNDER PREVIOUS APPROVAL # 12-0911.02

A. DRAWINGS

1. *No Drawing number, titled " Superlok Panel Detail ", sheets 1 through 7 of 7, prepared by NCI Group, Inc., dated August 28, 2012, signed and sealed by Mark Detwiler, P.E. on August 28, 2012.*

B. TESTS

1. *None.*

C. CALCULATIONS

1. *None.*

D. QUALITY ASSURANCE

1. *By Miami-Dade County Department of Regulatory and Economic Resources.*

E. MATERIAL CERTIFICATIONS

1. *None.*

6. EVIDENCE SUBMITTED UNDER PREVIOUS APPROVAL # 15-0505.27

A. DRAWINGS

1. *No Drawing number, titled " Superlok Panel Detail ", sheets 1 through 7 of 7, prepared by NCI Group, Inc., dated April 14, 2015, signed and sealed by Mark Detwiler, P.E. on April 14, 2015.*

B. TESTS

1. *None.*

C. CALCULATIONS


1. *None.*

D. QUALITY ASSURANCE

1. *By Miami-Dade County Department of Regulatory and Economic Resources.*

E. MATERIAL CERTIFICATIONS

1. *None.*



Helmy A. Makar, P.E., M.S.
Product Control Section Supervisor
NOA No. 24-0429.04
Expiration Date: 07/06/2029
Approval Date: 09/05/2024

NCI Group, Inc.

NOTICE OF ACCEPTANCE: EVIDENCE SUBMITTED

7. EVIDENCE SUBMITTED UNDER PREVIOUS APPROVAL # 18-0220.11

A. DRAWINGS

1. *No Drawing number, titled " Superlok Panel Detail ", sheets 1 through 7 of 7, prepared by NCI Group, Inc., dated January 15, 2018, signed and sealed by Mark Detwiler, P.E. on January 15, 2018.*

B. TESTS

1. *None.*

C. CALCULATIONS

1. *None.*

D. QUALITY ASSURANCE

1. *By Miami-Dade County Department of Regulatory and Economic Resources.*

E. MATERIAL CERTIFICATIONS

1. *None.*

8. EVIDENCE SUBMITTED UNDER PREVIOUS APPROVAL # 18-1011.03

A. DRAWINGS

1. *None.*

B. TESTS

1. *None.*

C. CALCULATIONS

1. *None.*

D. QUALITY ASSURANCE

1. *By Miami-Dade County Department of Regulatory and Economic Resources.*

E. MATERIAL CERTIFICATIONS

1. *None.*

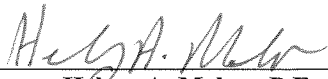
9. EVIDENCE SUBMITTED UNDER PREVIOUS APPROVAL # 21-0615.06

A. DRAWINGS

1. *No Drawing number, titled " Superlok Panel Detail ", sheets 1 through 7 of 7, prepared by NCI Group, Inc., dated June 10, 2021, signed and sealed by Mark Detwiler, P.E. on June 10, 2021.*

B. TESTS

1. *None.*



Helmy A. Makar, P.E., M.S.
Product Control Section Supervisor
NOA No. 24-0429.04
Expiration Date: 07/06/2029
Approval Date: 09/05/2024

NCI Group, Inc.

NOTICE OF ACCEPTANCE: EVIDENCE SUBMITTED

C. CALCULATIONS

1. *None.*

D. QUALITY ASSURANCE

1. *By Miami-Dade County Department of Regulatory and Economic Resources.*

E. MATERIAL CERTIFICATIONS

1. *None.*

10. NEW EVIDENCE SUBMITTED

A. DRAWINGS

1. *No Drawing number, titled “ Superlok Panel Detail ”, sheets 1 through 7 of 7, prepared by NCI Group, Inc., dated April 25, 2024, signed and sealed by Lisa Marie Reimert, P.E. on April 25, 2024.*

B. TESTS

1. *None.*

C. CALCULATIONS

1. *None.*

D. QUALITY ASSURANCE

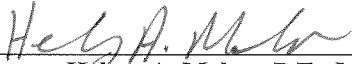
1. *By Miami-Dade County Department of Regulatory and Economic Resources.*

E. MATERIAL CERTIFICATIONS

1. *None.*

F. STATEMENTS

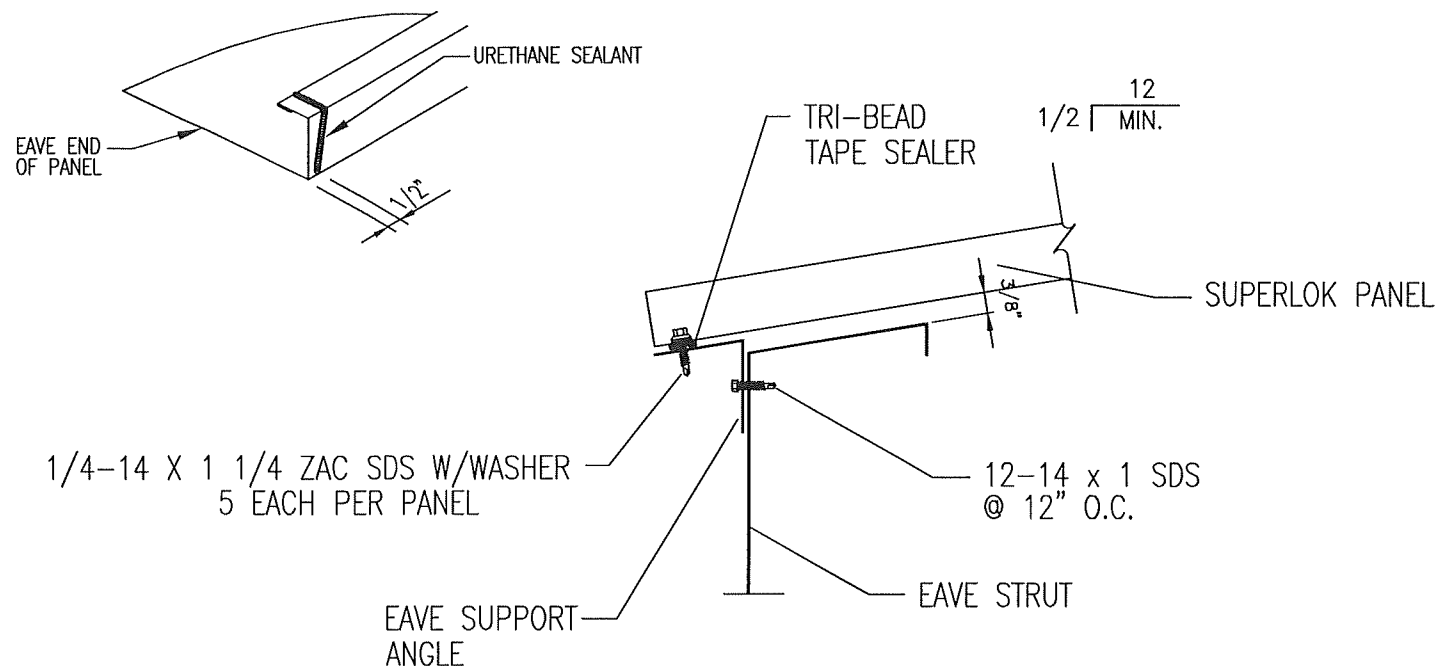
1. *FBC, 2023 Compliance Letter, issued by Cornerstone Building Brands, dated 4/25/2024, issued, Signed and Sealed by Lisa Marie Reimert, P.E.*



Helmy A. Makar, P.E., M.S.
Product Control Section Supervisor
NOA No. 24-0429.04
Expiration Date: 07/06/2029
Approval Date: 09/05/2024

TYPICAL DETAILS

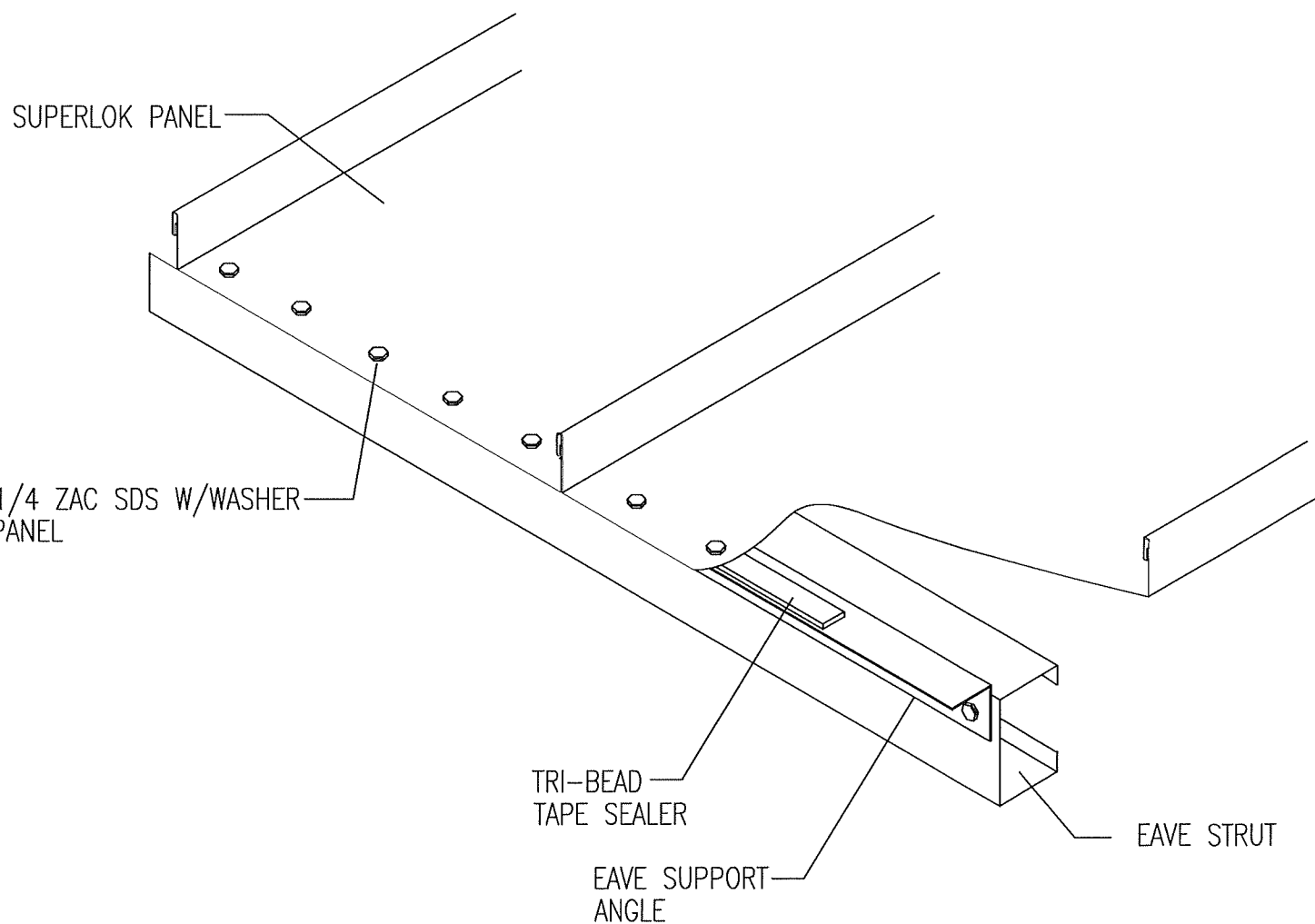
EAVE



1/4-14 X 1 1/4 ZAC SDS W/WASHER
5 EACH PER PANEL

12-14 x 1 SDS
@ 12" O.C.

CROSS SECTION OF EAVE



1/4-14 X 1 1/4 ZAC SDS W/WASHER
5 EACH PER PANEL

ISOMETRIC VIEW OF EAVE

| Revision | Date | Description |
|----------|------|-------------|
| | | |
| | | |
| | | |
| | | |
| | | |
| | | |
| | | |
| | | |
| | | |
| | | |
| | | |
| | | |
| | | |
| | | |
| | | |
| | | |
| | | |
| | | |
| | | |
| | | |
| | | |
| | | |
| | | |
| | | |
| | | |

ncg GROUP, INC.
 CORPORATE OFFICES: 7301 FAIRVIEW DR. HOUSTON TX 77041 (800) 771-8378
 MAILING: P.O. BOX 4020 HOUSTON TX 77240-0020

Project Name and Location:
 DADE COUNTY PRODUCT APPROVAL
 DADE COUNTY, FLORIDA

SHEET TITLE:
 SUPERLOK PANEL DETAIL

Scale: NOT TO SCALE

Drawn by: EH

Checked by: JA

Job Number:

Sheet Number: 1 OF 7

THESE DRAWINGS AND THE METAL COMPONENTS THEY REPRESENT ARE THE PRODUCT OF NCI GROUP OR ANOTHER DIVISION OR AFFILIATE OF NCI GROUP, INC. - 7301 FAIRVIEW DR. HOUSTON TX 77041. THE ENGINEER WHOSE SEAL APPEARS HEREON IS EMPLOYED BY NCI GROUP OR ANOTHER DIVISION OR AFFILIATE OF NCI GROUP, INC. AND IS NOT THE ENGINEER OF RECORD FOR THIS PROJECT. THESE DRAWINGS MUST BE REVIEWED FOR PROJECT COMPLIANCE BY THE ENGINEER OF RECORD.

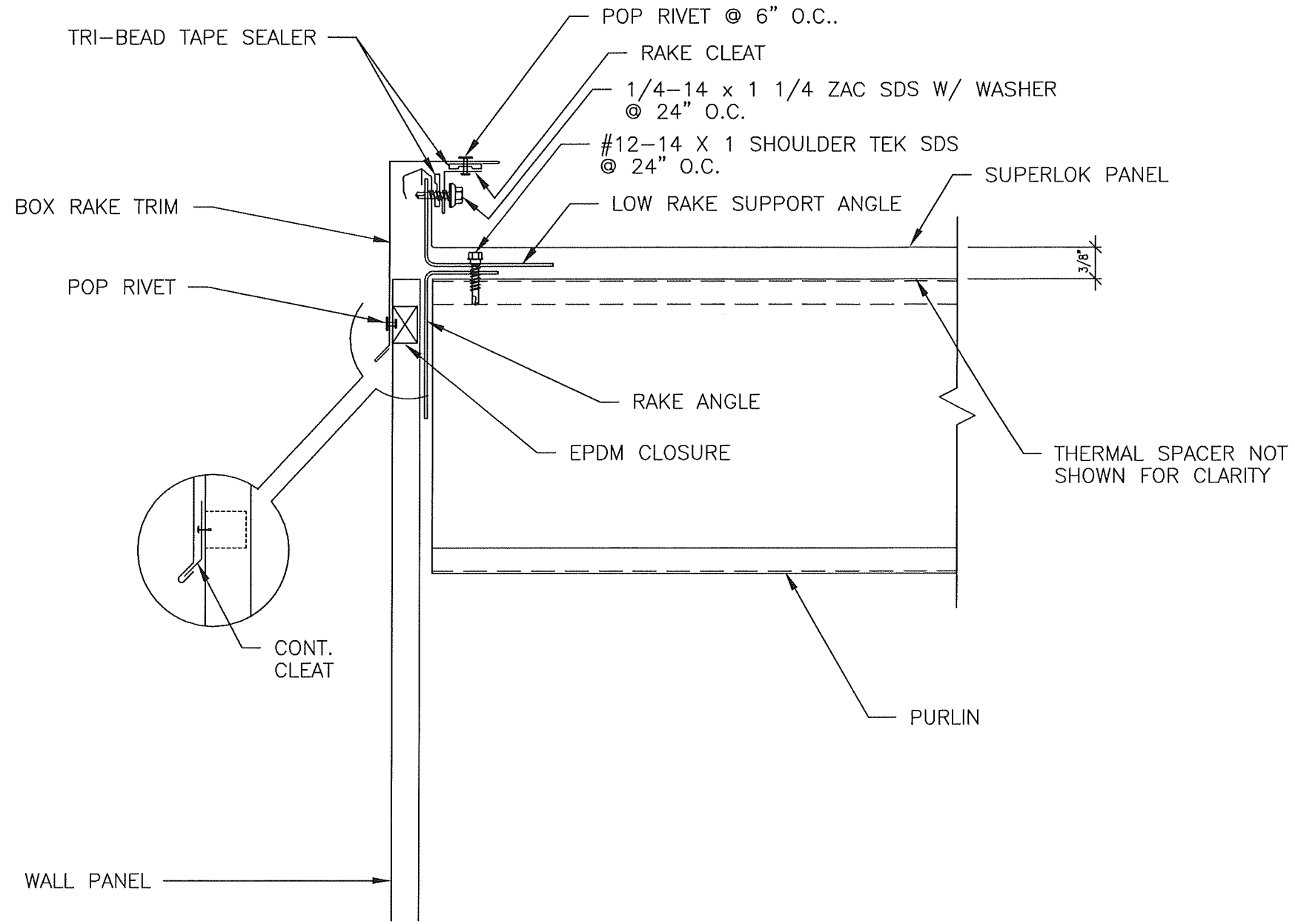
PRODUCT REVISED
 as complying with the Florida Building Code
 Acceptance No. 24-0429.04
 Expiration Date 07/06/2029

By *Helya Miller*
 Miami Dade Product Control

Digitally signed by
 Lisa Raimo
 Date: 2024.06.29 16:30:02
 -1602

TYPICAL DETAILS

RAKE



CROSS SECTION OF RAKE

| Revision | Date | Description | By | Ckd |
|----------|------|-------------|----|-----|
| | | | | |
| | | | | |
| | | | | |
| | | | | |
| | | | | |
| | | | | |
| | | | | |
| | | | | |
| | | | | |
| | | | | |

CORPORATE OFFICES : 7301 FAIRVIEW DR., HOUSTON TX, 77041, (800) 777-8378

 MAILING : P.O. BOX 4320 HOUSTON TX, 77260-0320

 PROJECT NAME AND LOCATION:

 DADE COUNTY PRODUCT APPROVAL

 DADE COUNTY, FLORIDA

 SHEET TITLE:

 SUPERLOK PANEL DETAIL

Scale: NOT TO SCALE

 Drawn by: EH

 Checked by: JA

 Job Number:

 Sheet Number: 2 OF 7

THESE DRAWINGS AND THE METAL COMPONENTS THEY REPRESENT ARE THE PRODUCT OF NCI GROUP OR ANOTHER DIVISION OR AFFILIATE OF NCI GROUP, INC. - 7301 FAIRVIEW DR., HOUSTON TX 77041. THE ENGINEER WHOSE SEAL APPEARS HEREON IS EMPLOYED BY NCI GROUP OR ANOTHER DIVISION OR AFFILIATE OF NCI GROUP, INC. AND IS NOT THE ENGINEER OF RECORD FOR THIS PROJECT. THESE DRAWINGS MUST BE REVIEWED FOR PROJECT COMPLIANCE BY THE ENGINEER OF RECORD.

PRODUCT REVISED

 as complying with the Florida

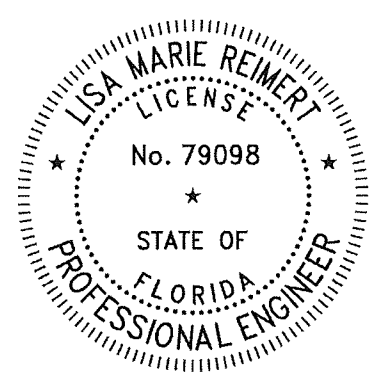
 Building Code

 Acceptance No. 24-0429.04

 Expiration Date 07/06/2029

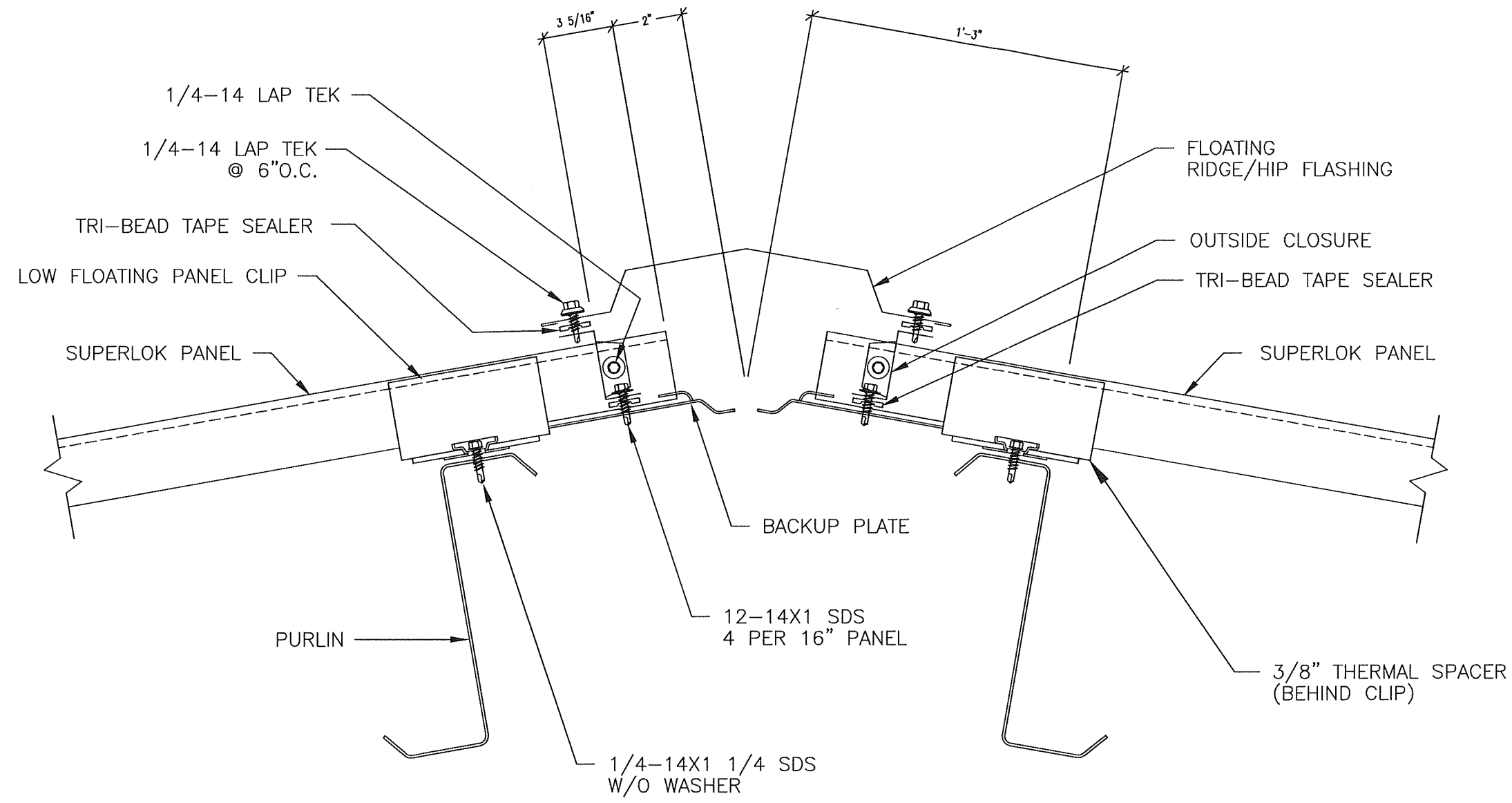
 By

 Miami Dade Product Control



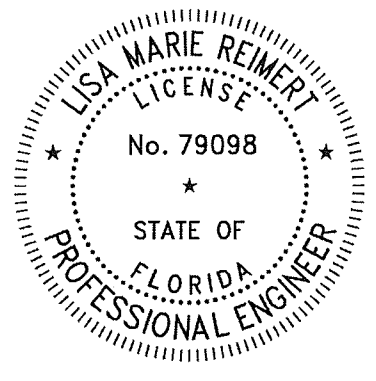
TYPICAL DETAILS

RIDGE



CROSS SECTION OF RIDGE

PRODUCT REVISED
 as complying with the Florida
 Building Code
 Acceptance No. 24-0429-04
 Expiration Date 07/06/2029
 By: *Hedy A. Miller*
 Miami Dade Product Control



| By | Ch'd | Date | Description |
|----|------|------|-------------|
| | | | |
| | | | |
| | | | |
| | | | |
| | | | |
| | | | |
| | | | |
| | | | |
| | | | |
| | | | |
| | | | |

ncg GROUP, INC.
 CORPORATE OFFICES : 7301 FAIRVIEW DR. HOUSTON TX 77041 (800) 771-8378
 MAILING : P.O. BOX 4020 HOUSTON TX 77240-0020

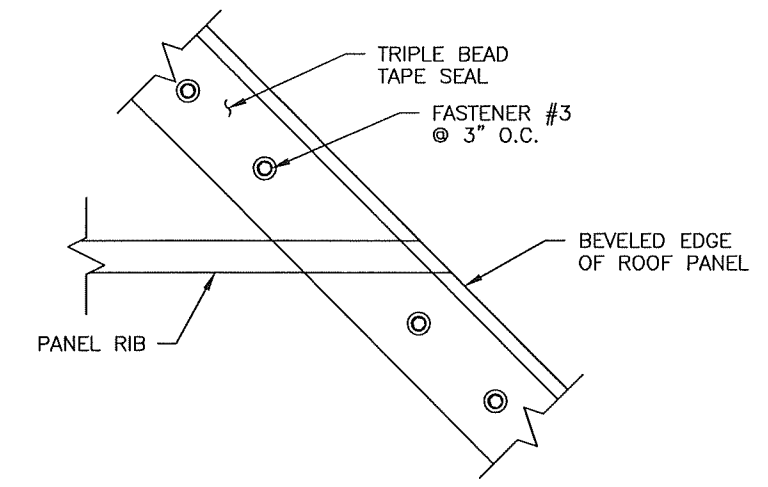
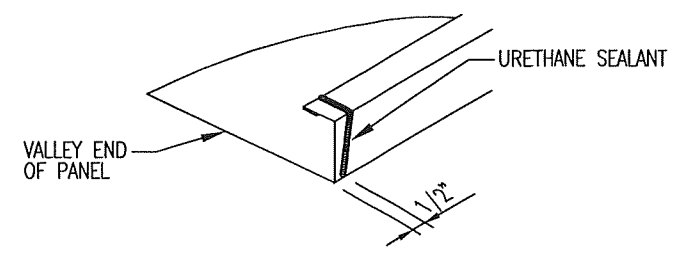
Project Name and Location:
 DADE COUNTY PRODUCT APPROVAL
 DADE COUNTY, FLORIDA

SHEET TITLE:
 SUPERLOK PANEL DETAIL

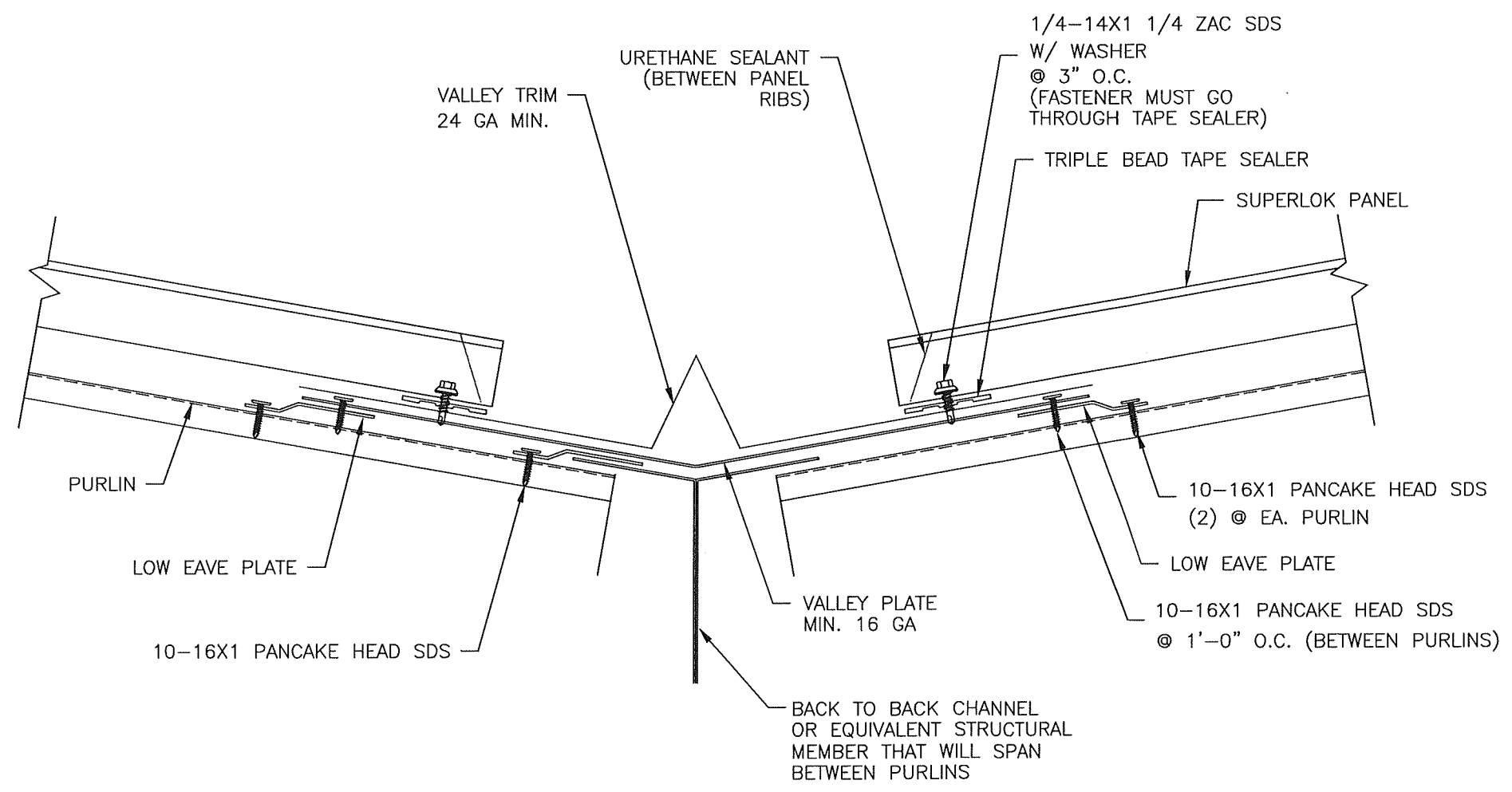
Scale: NOT TO SCALE
 Drawn by: EH
 Checked by: JA
 Job Number:
 Sheet Number: 3 OF 7

THESE DRAWINGS AND THE METAL COMPONENTS THEY REPRESENT ARE THE PRODUCT OF NCG GROUP OR ANOTHER DIVISION OR AFFILIATE OF NCG GROUP, INC. - 7301 FAIRVIEW DR. HOUSTON TX 77041. THE ENGINEER WHOSE SEAL APPEARS HEREON IS EMPLOYED BY NCG GROUP OR ANOTHER DIVISION OR AFFILIATE OF NCG GROUP, INC. AND IS NOT THE ENGINEER OF RECORD FOR THIS PROJECT. THESE DRAWINGS MUST BE REVIEWED FOR PROJECT COMPLIANCE BY THE ENGINEER OF RECORD.

TYPICAL DETAILS VALLEY



ISOMETRIC VIEW OF VALLEY



CROSS SECTION OF VALLEY

PRODUCT REVISED
 as complying with the Florida
 Building Code
 Acceptance No. 24-0429-04
 Expiration Date 07/06/2029
 By *Hedy A. McMur*
 Miami Dade Product Control

| Revision | Date | Description |
|----------|------|-------------|
| | | |
| | | |
| | | |
| | | |
| | | |
| | | |

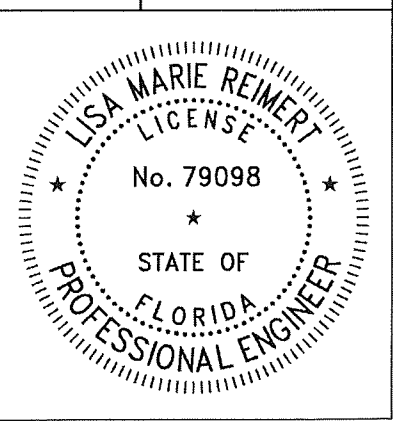
NCI GROUP, INC.
 CORPORATE OFFICES : 7301 FAIRVIEW DR. HOUSTON TX. 77041 (800) 777-8878
 MAILING : P.O. BOX 4020 HOUSTON TX. 77240-0020

Project Name and Location:
 DADE COUNTY PRODUCT APPROVAL
 DADE COUNTY, FLORIDA

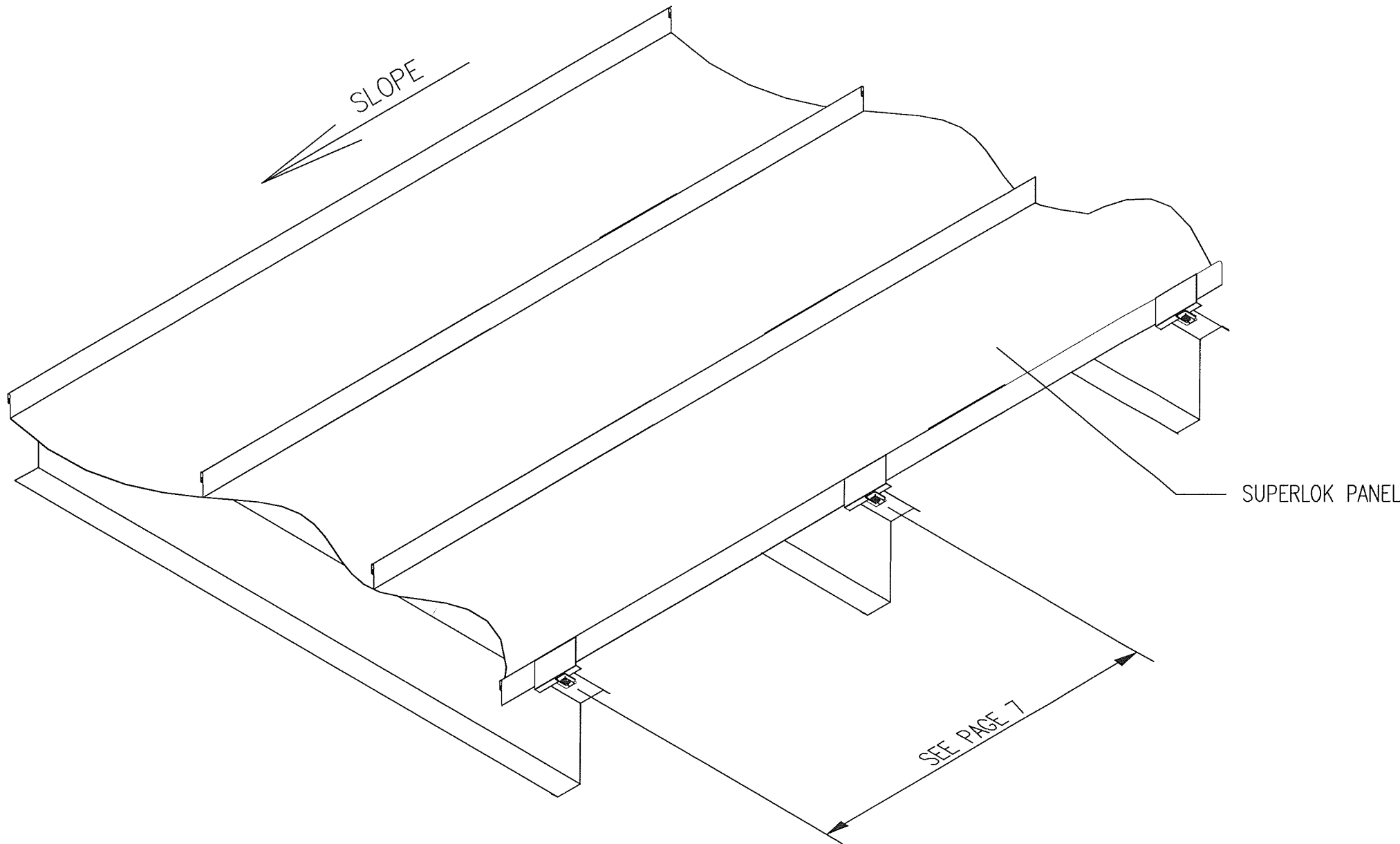
SHEET TITLE:
 SUPERLOK PANEL DETAIL

Scale: NOT TO SCALE
 Drawn by: EH
 Checked by: JA
 Job Number:
 Sheet Number: 4 OF 7

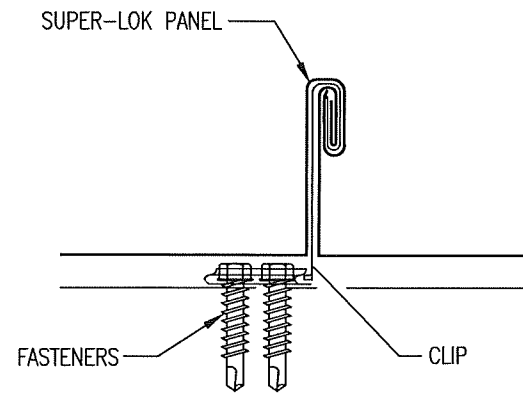
THESE DRAWINGS AND THE METAL COMPONENTS THEY REPRESENT ARE THE PRODUCT OF NCI GROUP OR ANOTHER DIVISION OR AFFILIATE OF NCI GROUP, INC. - 7301 FAIRVIEW DR. HOUSTON TX 77041. THE ENGINEER WHOSE SEAL APPEARS HEREON IS EMPLOYED BY NCI GROUP OR ANOTHER DIVISION OR AFFILIATE OF NCI GROUP, INC. AND IS NOT THE ENGINEER OF RECORD FOR THIS PROJECT. THESE DRAWINGS MUST BE REVIEWED FOR PROJECT COMPLIANCE BY THE ENGINEER OF RECORD.



TYPICAL DETAILS FASTENER DIAGRAM

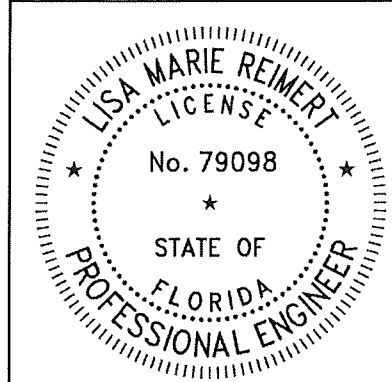


ISOMETRIC VIEW OF SUPERLOK PANEL



CROSS SECTION
AFTER SEAMING

PRODUCT REVISED
as complying with the Florida
Building Code
Acceptance No. 24-0429.04
Expiration Date 07/26/2029
By H. A. [Signature]
Miami Dade Product Control



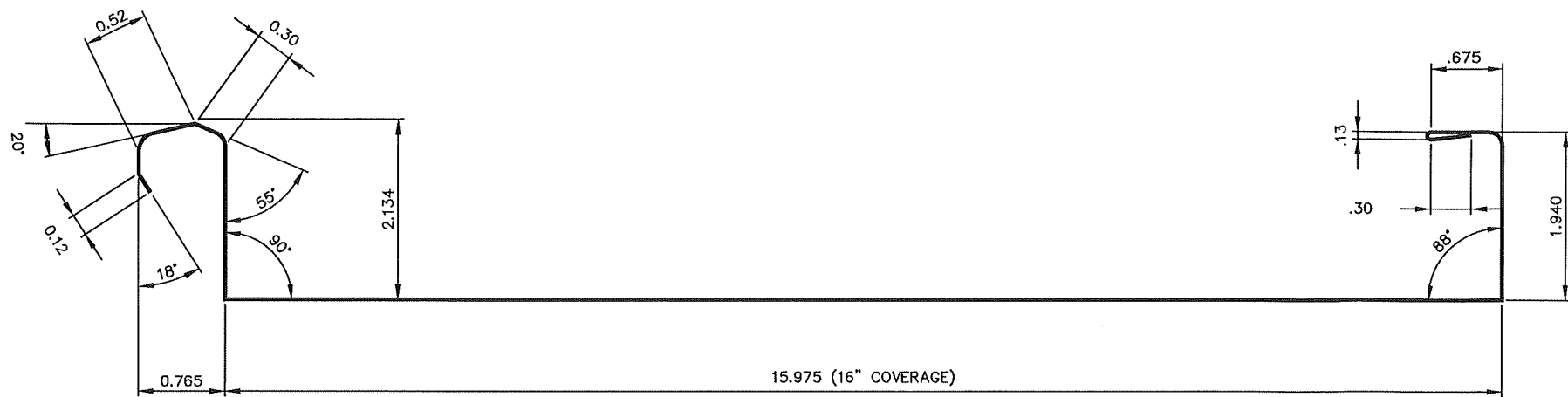
| Revision | Date | Description | By | Ck'd |
|----------|------|-------------|----|------|
| | | | | |
| | | | | |
| | | | | |
| | | | | |
| | | | | |
| | | | | |
| | | | | |
| | | | | |
| | | | | |
| | | | | |
| | | | | |
| | | | | |
| | | | | |
| | | | | |
| | | | | |

Scale: NOT TO SCALE
 Drawn by: EH
 Checked by: JA
 Job Number:
 Sheet Number: 6 OF 7

THESE DRAWINGS AND THE METAL COMPONENTS THEY REPRESENT ARE THE PRODUCT OF NCI GROUP OR ANOTHER DIVISION OR AFFILIATE OF NCI GROUP, INC. - 7301 FAIRVIEW DR. HOUSTON TX 77041. THE ENGINEER WHOSE SEAL APPEARS HEREON IS EMPLOYED BY NCI GROUP OR ANOTHER DIVISION OR AFFILIATE OF NCI GROUP, INC. AND IS NOT THE ENGINEER OF RECORD FOR THIS PROJECT. THESE DRAWINGS MUST BE REVIEWED FOR PROJECT COMPLIANCE BY THE ENGINEER OF RECORD.

NCI GROUP, INC.
 CORPORATE OFFICES : 7301 FAIRVIEW DR. HOUSTON TX 77041 (800) 771-8378
 MAILING : P.O. BOX 4020 HOUSTON TX 77040-0020
 Project Name and Location:
 DADE COUNTY PRODUCT APPROVAL
 DADE COUNTY, FLORIDA

SHEET TITLE:
 SUPERLOK PANEL DETAIL



SUPERLOK CROSS SECTION

CONFIDENTIAL FOR OFFICIAL USE ONLY

NOTES:

- THE 22 GAGE SUPERLOK STANDING SEAM ROOF PANELS SHALL BE USED FOR ROOF CONSTRUCTION ONLY. THE ACTUAL ROOF PROJECT SHALL BE CONSTRUCTED USING THE SAME DETAILS SHOWN ON THESE DRAWINGS INCLUDING:
 - DETAILS OF ALL PANEL MATERIAL CHARACTERISTICS AND SECTIONS WITH DIMENSIONS AND THICKNESS.
 - ASSEMBLY DETAILS INCLUDING ALL CONNECTION'S FASTENERS DIAGRAM WITH SIZE AND LOCATION.
 - PANEL MAXIMUM SPAN AND PRESSURE FOR THE FIELD, PERIMETERS AND CORNERS SHOWN.
- THE MAXIMUM ALLOWABLE SPANS AND PRESSURES FOR THE 22 GAGE STEEL ROOF PANEL ARE AS FOLLOWS:

| | MAXIMUM PANEL SPAN | MAXIMUM PRESSURE(psf) |
|------------|--------------------|-----------------------|
| FIELD ZONE | 5'-0" | 51.49 |
| EDGE ZONE | 1'-0" | 104.72 |
- ALL PANELS SUBMEMBERS SHALL BE STEEL WITH 16 GA. MINIMUM THICKNESS.
- THIS STRUCTURAL ROOF PANEL SYSTEM HAS BEEN DESIGNED IN ACCORDANCE WITH FLORIDA BUILDING CODE (FBC) FOR USE WITH THE 8TH EDITION (2023) FBC, AND THE 2020 FBC AS APPLICABLE THE DESIGN PRESSURES AS DETERMINED FROM SECTION 1620 MUST BE MULTIPLIED BY .060.

PANEL PROPERTIES

| PANEL GAUGE | PANEL THICKNESS | YIELD STRENGTH | TENSILE STRENGTH | ELONGATION | HARDNESS | STEEL COATING | PAINT COATINGS |
|-------------|-----------------|----------------|------------------|------------|-----------|---------------|----------------|
| 24 | .024 MIN. | 50 KSI | 55-70 KSI | 20-36% | 50-65 HRB | AZ 55 | SIG 300 KYNAR |
| 22 | .029 MIN. | 50 KSI | 55-70 KSI | 20-36% | 50-65 HRB | AZ 55 | SIG 300 KYNAR |

PANEL ACCESSORIES

| | |
|---|---|
| <p>CONSTRUCTION FASTENERS INC. SPRING STREET AND VAN REED ROAD P.O. BOX 6326, WYOMISSING PA 19610</p> <ul style="list-style-type: none"> #14 X 7/8" LAP TEK W/BOND SEAL WASHER 1/4-14 X 1 1/4 SDS W/ WASHER #12-14 X 1 SDS 1/4-14 X 1 1/4 SDS #2 PT. W/O WASHER #10-16 PANCAKE HEAD SDS 1/4-14 X 1 ZAC STS W/ WASHER #12-14 X 1 SHOULDER TEK SDS | <p>GULF-SEAL SPECIALTIES, INC. P.O. BOX 508 SOUTH HOUSTON, TX 77587</p> <ul style="list-style-type: none"> TRI-BEAD TAPE SEALER MB-10A (POLYISOBUTYLENE-ISOPLENE) TRIPLE BEAD TAPE SEALER MB-10A (POLYISOBUTYLENE-ISOPLENE) SHEED END LAP TAPE SEAL TAPE SEALER MB-10A (POLYISOBUTYLENE-ISOPLENE) <p>SCHNEE-MOREHEAD, INC. 111 NORTH NURSERY ROAD IRVING, TX 75060</p> <ul style="list-style-type: none"> PERMATHANE URETHANE CAULK |
|---|---|

| Ck'd | By | Description | Date | Revision |
|------|----|-------------|------|----------|
| | | | | |
| | | | | |
| | | | | |
| | | | | |
| | | | | |
| | | | | |
| | | | | |
| | | | | |
| | | | | |

nci GROUP, INC.

CORPORATE OFFICES : 7301 FAIRVIEW DR. HOUSTON TX 77041 (800) 777-8378
 MAILING : P.O. BOX 40220 HOUSTON TX 77240-0220

Project Name and Location:
 DADE COUNTY PRODUCT APPROVAL
 DADE COUNTY, FLORIDA

SHEET TITLE:
 SUPERLOK PANEL DETAIL

Scale: NOT TO SCALE
 Drawn by: EH
 Checked by: JA
 Job Number:
 Sheet Number: 7 OF 7

THESE DRAWINGS AND THE METAL COMPONENTS THEY REPRESENT ARE THE PRODUCT OF NCI GROUP OR ANOTHER DIVISION OR AFFILIATE OF NCI GROUP, INC. - 7301 FAIRVIEW DR. HOUSTON TX 77041. THE ENGINEER WHOSE SEAL APPEARS HEREON IS EMPLOYED BY NCI GROUP OR ANOTHER DIVISION OR AFFILIATE OF NCI GROUP, INC. AND IS NOT THE ENGINEER OF RECORD FOR THIS PROJECT. THESE DRAWINGS MUST BE REVIEWED FOR PROJECT COMPLIANCE BY THE ENGINEER OF RECORD.

PRODUCT REVISED
 as complying with the Florida Building Code
 Acceptance No 24-0429.04
 Expiration Date 07/06/2029
 By Hesha A. Reddy
 Miami Dade Product Control

