



MIAMI-DADE COUNTY
PRODUCT CONTROL SECTION
 11805 SW 26 Street, Room 208
 Miami, Florida 33175-2474
 T (786) 315-2590 F (786) 315-2599
www.miamidade.gov/building

DEPARTMENT OF REGULATORY AND ECONOMIC RESOURCES (RER)
 BOARD AND CODE ADMINISTRATION DIVISION

NOTICE OF ACCEPTANCE (NOA)

New Age Windows & Doors Corp.
 7196 NW 77 Terr
 Medley, FL 33166

SCOPE:

This NOA is being issued under the applicable rules and regulations governing the use of construction materials. The documentation submitted has been reviewed and accepted by Miami-Dade County RER-Product Control Section to be used in Miami-Dade County and other areas where allowed by the Authority Having Jurisdiction (AHJ).

This NOA shall not be valid after the expiration date stated below. The Miami-Dade County Product Control Section (In Miami-Dade County) and/ or the AHJ (in areas other than Miami-Dade County) reserve the right to have this product or material tested for quality assurance purposes. If this product or material fails to perform in the accepted manner, the manufacturer will incur the expense of such testing and the AHJ may immediately revoke, modify, or suspend the use of such product or material within their jurisdiction. RER reserves the right to revoke this acceptance if it is determined by Miami-Dade County Product Control Section that this product or material fails to meet the requirements of the applicable building code.

This product is approved as described herein and has been designed to comply with the Florida Building Code, including the High Velocity Hurricane Zone.

DESCRIPTION: Series "100" Aluminum Single Hung Window – L.M.I.

APPROVAL DOCUMENT: Drawing No. **W14-27**, titled "Series-100 Alum Single Hung Wdw. (L.M.I.)", sheets 1 through 5 of 5, dated 07/30/14, with revision **C** dated 07/19/23, prepared by Al-Farooq Corporation, signed and sealed by Jalal Farooq, P.E., bearing the Miami-Dade County Product Control Renewal stamp with the Notice of Acceptance number and expiration date by the Miami-Dade County Product Control Section.

MISSILE IMPACT RATING: Large and Small Missile Impact Resistant.

LABELING: Each unit shall bear a permanent label with the manufacturer's name or logo, city, state, model/series, and following statement: "Miami-Dade County Product Control Approved", unless otherwise noted herein.

RENEWAL of this NOA shall be considered after a renewal application has been filed and there has been no change in the applicable building code negatively affecting the performance of this product.

TERMINATION of this NOA will occur after the expiration date or if there has been a revision or change in the materials, use, and/ or manufacture of the product or process. Misuse of this NOA as an endorsement of any product, for sales, advertising or any other purposes shall automatically terminate this NOA. Failure to comply with any section of this NOA shall be cause for termination and removal of NOA.

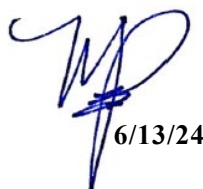
ADVERTISEMENT: The NOA number preceded by the words Miami-Dade County, Florida, and followed by the expiration date may be displayed in advertising literature. If any portion of the NOA is displayed, then it shall be done in its entirety.

INSPECTION: A copy of this entire NOA shall be provided to the user by the manufacturer or its distributors and shall be available for inspection at the job site at the request of the Building Official.

This NOA **renews NOA No. 23-0724.19** and consists of this page 1 and evidence pages E-1, E-2 and E-3, as well as approval document mentioned above.

The submitted documentation was reviewed by **Manuel Perez, P.E.**




 6/13/24

NOA No. 24-0513.03
Expiration Date: December 24, 2029
Approval Date: June 20, 2024
 Page 1

New Age Windows & Doors Corp.

NOTICE OF ACCEPTANCE: EVIDENCE SUBMITTED

1. EVIDENCE SUBMITTED UNDER PREVIOUS NOA's

A. DRAWINGS

1. Manufacturer's die drawings and sections.
(Submitted under NOA No. 14-0812.03)
2. Drawing No. **W14-27**, titled "Series-100 Alum Single Hung Wdw. (L.M.I.)", sheets 1 through 5 of 5, dated 07/30/14, with revision **C** dated 07/19/23, prepared by Al-Farooq Corporation, signed and sealed by Jalal Farooq, P.E.
(Submitted under NOA No. 23-0724.19)

B. TESTS

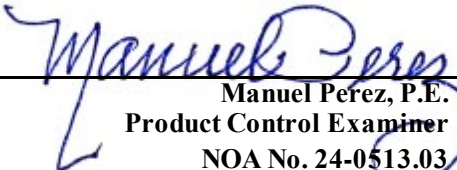
1. Test reports on:
 - 1) Air Infiltration Test, 202-94
 - 2) Uniform Static Air Pressure Test, 202-94
 - 3) Water Resistance Test, 202-94
 - 4) Forced Entry Test, 202-94
 - 5) Large Missile Impact Test per FBC, TAS 201-94
 - 6) Cyclic Wind Pressure Loading per FBC, TAS 203-94along with marked-up drawings and installation diagram of an aluminum single hung window, prepared by Fenestration Testing Laboratory, Inc., Test Report No. **FTL-7746**, dated 05/16/14, signed and sealed by Idalmis Ortega, P.E.
(Submitted under NOA No. 14-0812.03)

C. CALCULATIONS

1. Anchor verification calculations and structural analysis, complying with **FBC 5th Edition (2014)**, dated 07/24/14, updated to the **FBC 6th Edition (2017)** on 10/07/17 and further updated on 10/23/20 to comply with **FBC 7th Edition (2020)**, prepared by Al-Farooq Corporation, signed and sealed by Jalal Farooq, P.E.
(Submitted under NOA No. 20-1103.13)
2. Glazing complies with **ASTM E1300-09**.

D. QUALITY ASSURANCE

1. Miami-Dade Department of Regulatory and Economic Resources (RER)



Manuel Perez, P.E.
Product Control Examiner
NOA No. 24-0513.03
Expiration Date: December 24, 2029
Approval Date: June 20, 2024

New Age Windows & Doors Corp.

NOTICE OF ACCEPTANCE: EVIDENCE SUBMITTED

1. EVIDENCE SUBMITTED UNDER PREVIOUS NOA's (CONTINUED)

E. MATERIAL CERTIFICATIONS

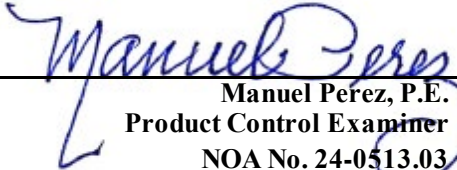
1. Notice of Acceptance No. **20-0915.22** issued to **Kuraray America, Inc.** for their “**Trosifol® Ultraclear, Clear and Color PVB Glass Interlayers**” dated 11/19/20, expiring on 07/08/24.
2. Notice of Acceptance No. **22-1116.01** issued to **Kuraray America, Inc.** for their “**SentryGlas® (Clear and White) Glass Interlayers**” dated 12/15/22, expiring on 07/04/28.

F. STATEMENTS

1. Statement letter of conformance, complying with **FBC 7th Edition (2020)**, with **FBC 8th Edition (2023)** and of no financial interest, dated July 21, 2023, issued by Al-Farooq Corporation, signed and sealed by Jalal Farooq, P.E.
(Submitted under NOA No. 23-0724.19)
2. Proposal issued by the Product Control Section, dated March 18, 2014, signed by Manuel Perez, P.E.
(Submitted under NOA No. 14-0812.03)

G. OTHERS

1. Notice of Acceptance No. **20-1103.13**, issued to New Age Windows & Doors Corp. for their Series “100” Aluminum Single Hung Window – L.M.I., approved on 02/11/21 and expiring on 12/24/24.



Manuel Perez, P.E.
Product Control Examiner
NOA No. 24-0513.03
Expiration Date: December 24, 2029
Approval Date: June 20, 2024

New Age Windows & Doors Corp.

NOTICE OF ACCEPTANCE: EVIDENCE SUBMITTED

2. NEW EVIDENCE SUBMITTED

A. DRAWINGS

1. None.

B. TESTS

1. None.

C. CALCULATIONS

1. None.

D. QUALITY ASSURANCE

1. Miami-Dade Department of Regulatory and Economic Resources (RER)

E. MATERIAL CERTIFICATIONS

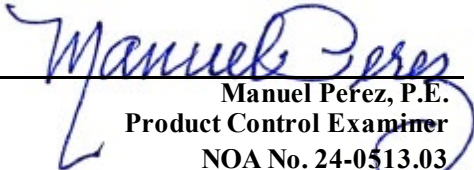
1. Notice of Acceptance No. **24-0205.28** issued to **Kuraray America, Inc.** for their “**Trosifol® Ultraclear, Clear and Color PVB Glass Interlayers**” dated 03/21/24, expiring on 07/08/29.
2. Notice of Acceptance No. **23-0717.30** issued to **Kuraray America, Inc.** for their “**SentryGlas® (Clear and White) Glass Interlayers**” dated 08/31/23, expiring on 07/04/288.

F. STATEMENTS

1. Statement letter of conformance, complying with **FBC 8th Edition (2023)** and of no financial interest, dated May 7, 2024, issued by Al-Farooq Corporation, signed and sealed by Jalal Farooq, P.E.

G. OTHERS

1. Notice of Acceptance No. **23-0724.19**, issued to New Age Windows & Doors Corp. for their Series “100” Aluminum Single Hung Window – L.M.I., approved on 08/17/23 and expiring on 12/24/24.


Manuel Perez, P.E.
Product Control Examiner
NOA No. 24-0513.03
Expiration Date: December 24, 2029
Approval Date: June 20, 2024

SERIES-100

ALUMINUM SINGLE HUNG WINDOW

DESIGN LOAD RATINGS FOR THESE WINDOWS TO BE AS PER CHARTS SHOWN ON SHEET 2.

APPROVAL APPLIES TO SINGLE UNITS OR SIDE BY SIDE COMBINATIONS OF S.H./S.H. OR SINGLE HUNG WITH OTHER WINDOW TYPES IN MODULES OF TWO OR MORE WINDOWS USING MIAMI-DADE COUNTY APPROVED MULLIONS IN BETWEEN. LOWER DESIGN PRESSURE FROM WINDOWS OR MULLION APPROVAL WILL APPLY TO ENTIRE SYSTEM.

THIS PRODUCT HAS BEEN DESIGNED AND TESTED TO COMPLY WITH THE REQUIREMENTS OF THE 2020 (7TH EDITION)/2023 (8TH EDITION) FLORIDA BUILDING CODE INCLUDING HIGH VELOCITY HURRICANE ZONE (HVHZ).

1BY OR 2BY WOOD BUCKS & BUCK FASTENERS BY OTHERS, MUST BE DESIGNED AND INSTALLED ADEQUATELY TO TRANSFER APPLIED PRODUCT LOADS TO THE BUILDING STRUCTURE.

ANCHORS SHALL BE CORROSION RESISTANT, SPACED AS SHOWN ON DETAILS AND INSTALLED PER MANUF'S INSTRUCTIONS. SPECIFIED EMBEDMENT TO BASE MATERIAL SHALL BE BEYOND WALL DRESSING OR STUCCO.

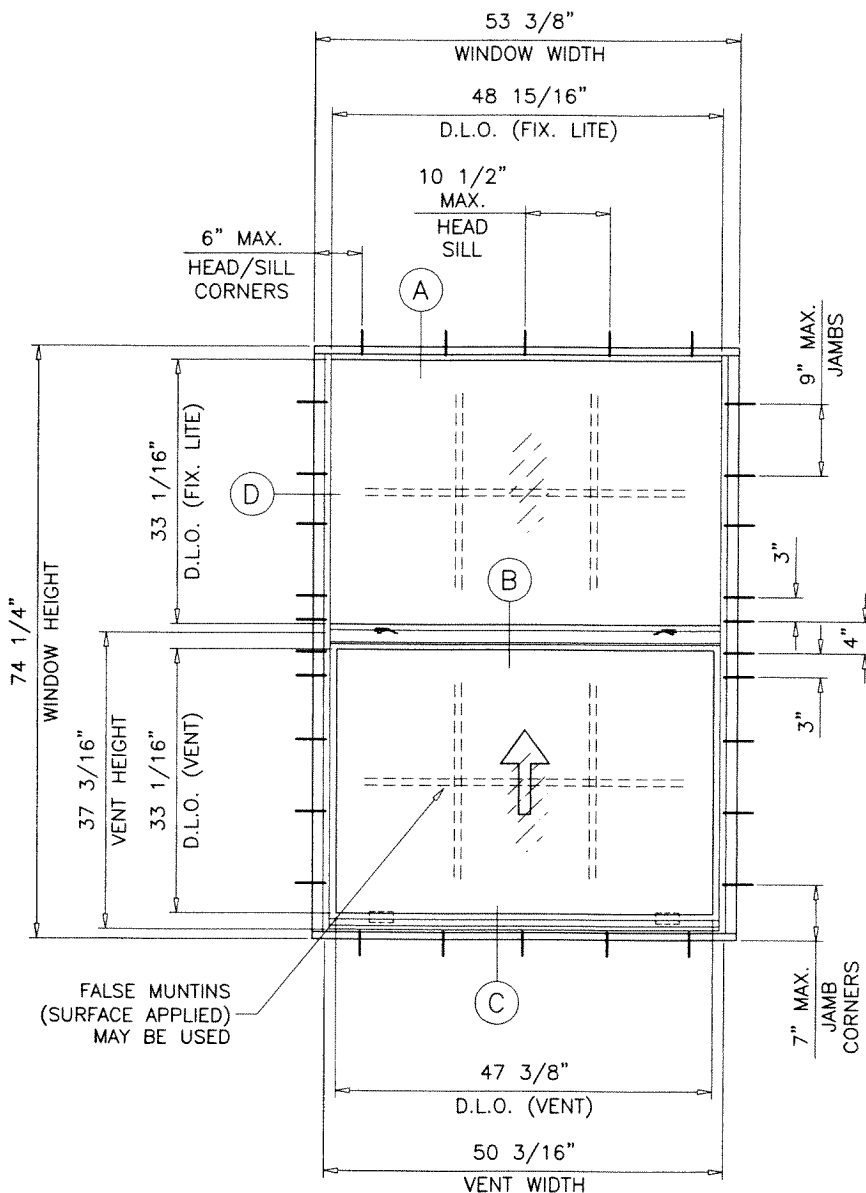
A LOAD DURATION INCREASE IS USED IN DESIGN OF ANCHORS INTO WOOD ONLY.

ALL SHIMS TO BE HIGH IMPACT, NON-METALLIC AND NON-COMPRESSIBLE.

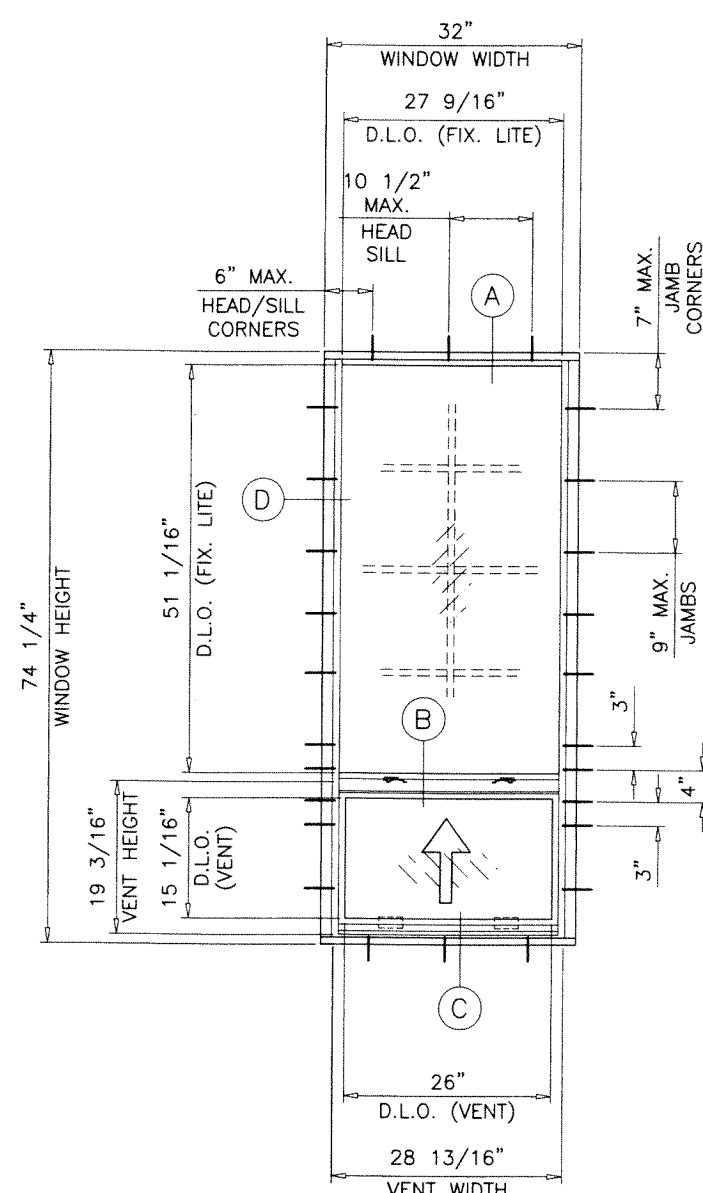
MATERIALS INCLUDING BUT NOT LIMITED TO STEEL/METAL SCREWS, THAT COME INTO CONTACT WITH OTHER DISSIMILAR MATERIALS SHALL MEET THE REQUIREMENTS OF THE 2020/2023 FLORIDA BLDG. CODE & ADOPTED STANDARDS.

THIS PRODUCT APPROVAL IS GENERIC AND DOES NOT PROVIDE INFORMATION FOR A SITE SPECIFIC PROJECT, i.e. LIFE SAFETY OF THIS PRODUCT, ADEQUACY OF STRUCTURE RECEIVING THIS PRODUCT AND SEALING AROUND OPENING FOR WATER INFILTRATION RESISTANCE ETC. CONDITIONS NOT SHOWN IN THIS DRAWING ARE TO BE ANALYZED SEPARATELY, AND TO BE REVIEWED BY BUILDING OFFICIAL.

DESIGN LOADS SHOWN ARE BASED ON 'ALLOWABLE STRESS DESIGN (ASD)'.



TYPICAL ELEVATION
EQUAL LITES



TYPICAL ELEVATION
UNEQUAL LITES (ORIEL TYPES)

THESE WINDOWS ARE RATED FOR LARGE & SMALL MISSILE IMPACT. SHUTTERS ARE NOT REQUIRED.

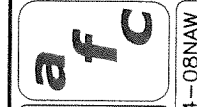
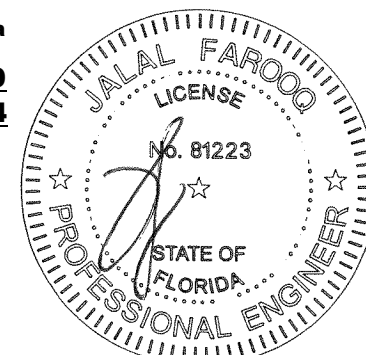
PRODUCT RENEWED
As complying with the Florida Building Code
NOA-No. **24-0513.03**
Expiration Date: **12/24/2029**

By: *Manuel Perez*
Miami-Dade Product Control

PRODUCT REVISED
As complying with the Florida Building Code
NOA-No. **23-0724.19**
Expiration Date: **12/24/2024**

By: *Manuel Perez*
Miami-Dade Product Control

JUL 21 2023



AL-FAROOQ CORPORATION
ENGINEERS & PRODUCT DEVELOPMENT
9360 SUNSET DRIVE, SUITE 220
MIAMI, FLORIDA 33173
TEL. (305) 264-8100 FAX. (305) 262-6978
COMP-ANL \ W14-08NAW

SERIES-100 ALUM SINGLE HUNG WDW. (L.M.I.)
New Age Windows & Doors Corp.
7196 N.W. 77TH TERRACE
MEDLEY, FL. 33166
TEL. (305) 889-0703 FAX. (305) 889-0710

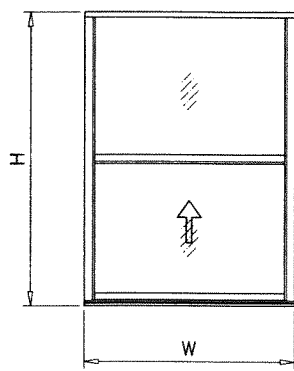
no	date	description
A	10.24.17	UPDATED TO 2017 FBC
B	07.13.20	UPDATED TO 2020 FBC
C	07.19.23	UPDATED TO 2023 FBC

date:	07-30-14
scale:	1/2" = 1'-0"
dr. by:	TARIQ
chk. by:	

drawing no.	W14-27
sheet	1 of 5

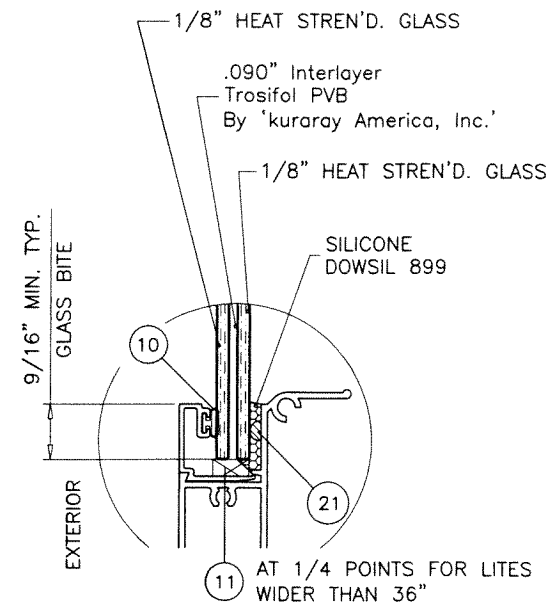
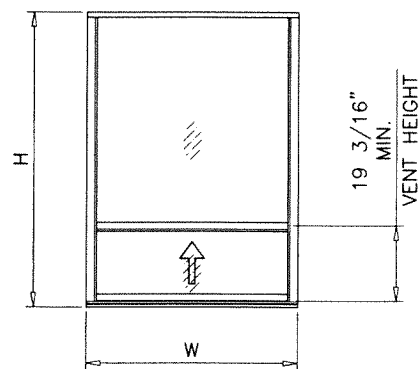
EQUAL LITES WINDOWS DESIGN LOAD CAPACITY - PSF					
WINDOW DIMS.		GLASS TYPE 'A'		GLASS TYPE 'B'	
WIDTH	HEIGHT	EXT.(+)	1NT.(-)	EXT.(+)	1NT.(-)
19-1/8"	26" (6)	65.0	80.0	70.0	90.0
26-1/2"		65.0	80.0	70.0	90.0
32"		65.0	80.0	70.0	90.0
37"		65.0	80.0	70.0	90.0
42"		65.0	80.0	70.0	90.0
48"		65.0	80.0	70.0	90.0
53-1/8"	65.0	80.0	70.0	90.0	
19-1/8"	38-3/8" (6)	65.0	80.0	70.0	90.0
26-1/2"		65.0	80.0	70.0	90.0
32"		65.0	80.0	70.0	90.0
37"		65.0	80.0	70.0	90.0
42"		65.0	80.0	70.0	90.0
48"		65.0	80.0	70.0	90.0
53-1/8"	65.0	80.0	70.0	90.0	
19-1/8"	50-5/8" (8)	65.0	80.0	70.0	90.0
26-1/2"		65.0	80.0	70.0	90.0
32"		65.0	80.0	70.0	90.0
37"		65.0	80.0	70.0	90.0
42"		65.0	80.0	70.0	90.0
48"		65.0	80.0	70.0	90.0
53-1/8"	65.0	80.0	70.0	90.0	
19-1/8"	56" (8)	65.0	80.0	70.0	90.0
26-1/2"		65.0	80.0	70.0	90.0
32"		65.0	80.0	70.0	90.0
37"		65.0	80.0	70.0	90.0
42"		65.0	80.0	70.0	90.0
48"		65.0	80.0	70.0	90.0
53-1/8"	65.0	80.0	70.0	90.0	
19-1/8"	63" (10)	65.0	80.0	70.0	90.0
26-1/2"		65.0	80.0	70.0	90.0
32"		65.0	80.0	70.0	90.0
37"		65.0	80.0	70.0	90.0
42"		65.0	80.0	70.0	90.0
48"		65.0	80.0	70.0	90.0
53-1/8"	65.0	80.0	70.0	90.0	
19-1/8"	74-1/4" (10)	65.0	80.0	70.0	90.0
26-1/2"		65.0	80.0	70.0	90.0
32"		65.0	80.0	70.0	90.0
37"		65.0	80.0	70.0	90.0
42"		65.0	80.0	70.0	90.0
48"		65.0	80.0	70.0	90.0
53-1/8"	65.0	80.0	70.0	90.0	

* NUMBER IN PARENTHESIS INDICATE MIN. NO. OF ANCHORS PER JAMB.

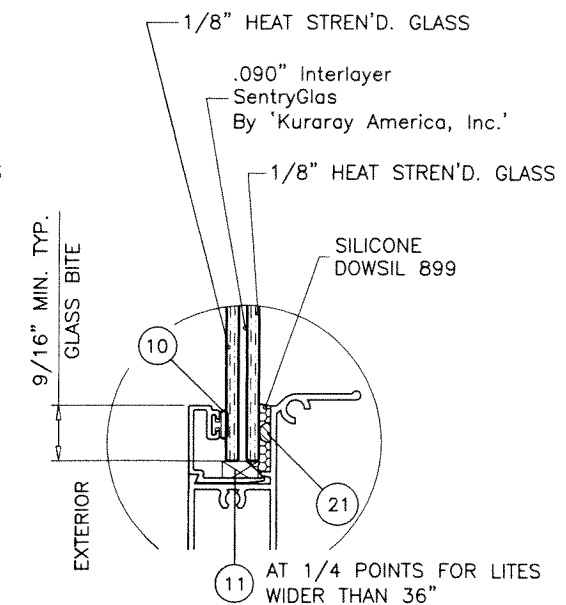


UNEQUAL LITES (ORIEL TYPES) WINDOWS DESIGN LOAD CAPACITY - PSF					
WINDOW DIMS.		GLASS TYPE 'A'		GLASS TYPE 'B'	
WIDTH	HEIGHT	EXT.(+)	1NT.(-)	EXT.(+)	1NT.(-)
19-1/8"	50-5/8" (8)	65.0	80.0	70.0	90.0
26-1/2"		65.0	80.0	70.0	90.0
32"		65.0	80.0	70.0	90.0
37"		65.0	80.0	70.0	90.0
42"		65.0	80.0	70.0	90.0
48"		65.0	80.0	70.0	90.0
53-1/8"	65.0	80.0	70.0	90.0	
19-1/8"	56" (8)	65.0	80.0	70.0	90.0
26-1/2"		65.0	80.0	70.0	90.0
32"		65.0	80.0	70.0	90.0
37"		65.0	80.0	70.0	90.0
42"		65.0	80.0	70.0	90.0
48"		65.0	80.0	70.0	90.0
53-1/8"	65.0	80.0	70.0	90.0	
19-1/8"	63" (10)	65.0	80.0	70.0	90.0
26-1/2"		65.0	80.0	70.0	90.0
32"		65.0	80.0	70.0	90.0
37"		65.0	80.0	70.0	90.0
42"		65.0	80.0	70.0	90.0
48"		65.0	80.0	70.0	90.0
53-1/8"	65.0	80.0	70.0	90.0	
19-1/8"	74-1/4" (10)	65.0	80.0	70.0	90.0
26-1/2"		65.0	80.0	70.0	90.0
32"		65.0	80.0	70.0	90.0
37"		65.0	80.0	70.0	90.0
42"		65.0	80.0	70.0	90.0
48"		65.0	80.0	70.0	90.0
53-1/8"	65.0	80.0	70.0	90.0	

* NUMBER IN PARENTHESIS INDICATE MIN. NO. OF ANCHORS PER JAMB.



GLASS TYPE 'A'
5/16" OVERALL NOM. THK.



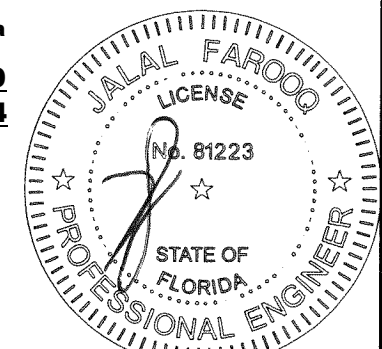
GLASS TYPE 'B'
5/16" OVERALL NOM. THK.

GLAZING OPTIONS

NOTE:
GLASS CAPACITIES ON THIS SHEET ARE
BASED ON ASTM E1300-09 (3 SEC. GUSTS)
AND FLORIDA BUILDING COMMISSION
DECLARATORY STATEMENT DCA05-DEC-219

PRODUCT RENEWED As complying with the Florida Building Code
NOA-No. **24-0513.03** Expiration Date: **12/24/2029**
By: *Manuel Perez* Miami-Dade Product Control

PRODUCT REVISED As complying with the Florida Building Code
NOA-No. **23-0724.19** Expiration Date: **12/24/2024**
By: *Manuel Perez* Miami-Dade Product Control



af c
COMP-ANL \ W14-08NAW

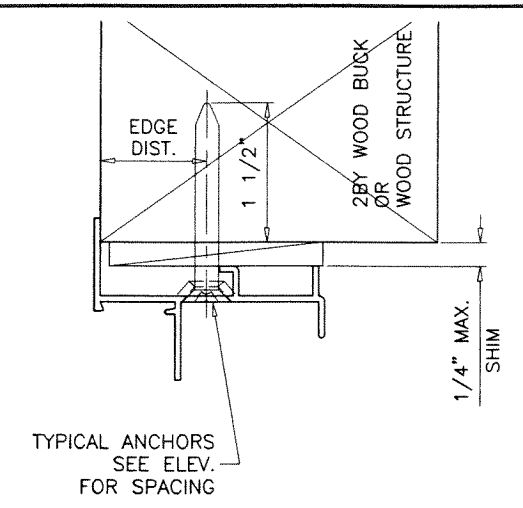
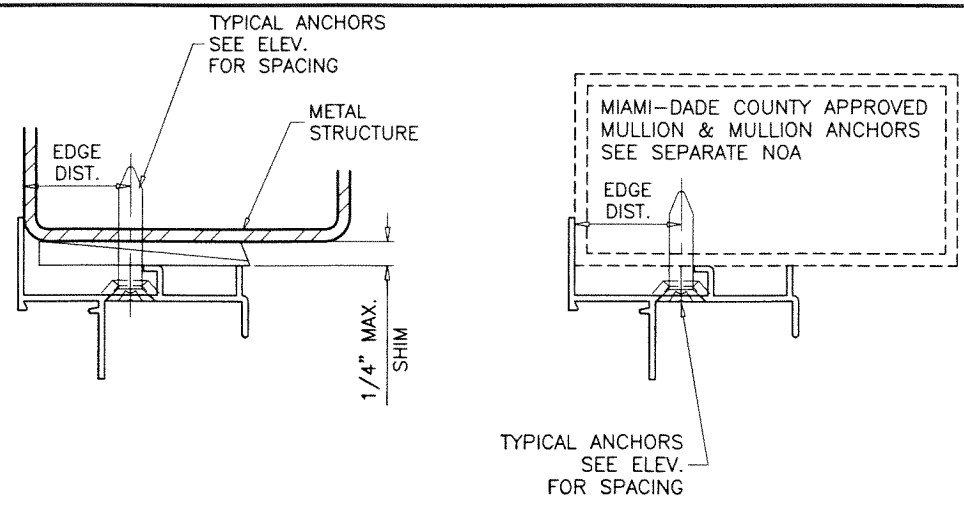
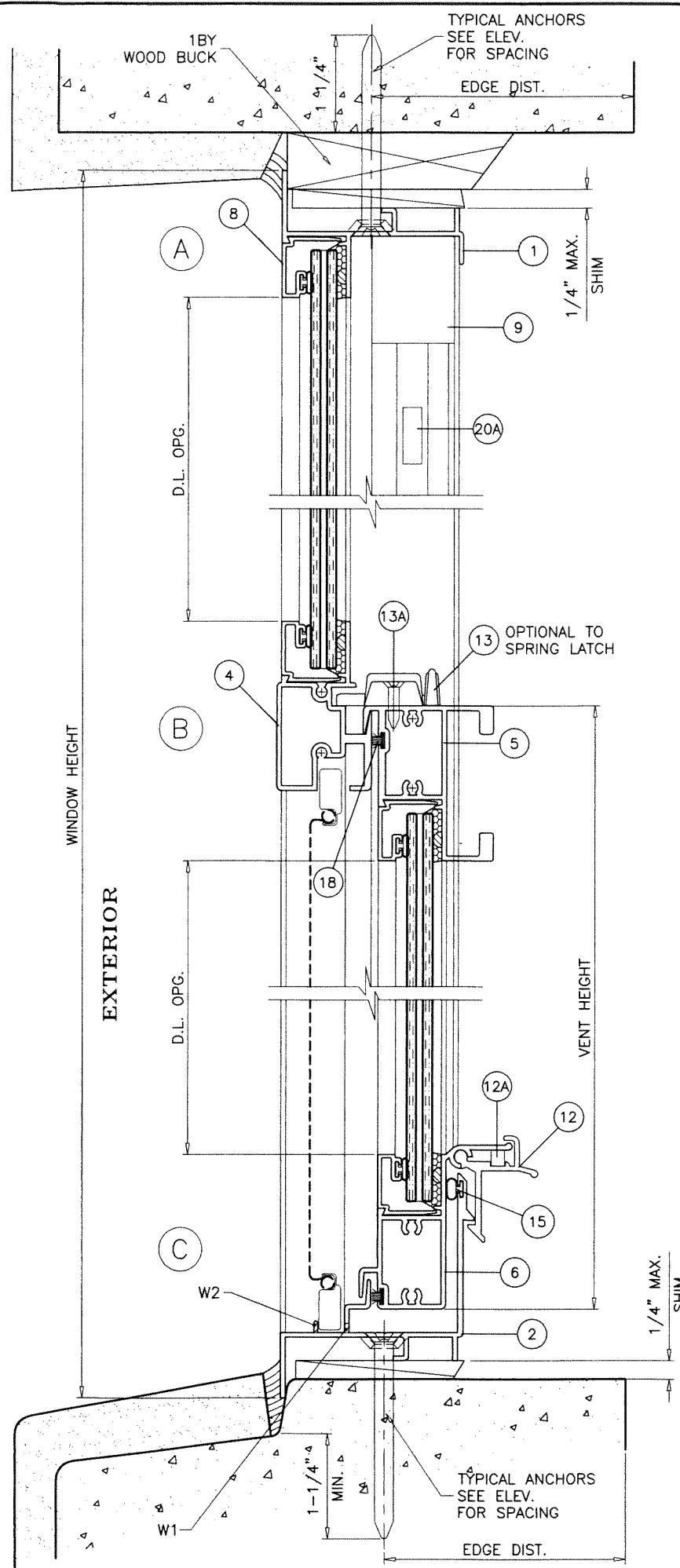
AL-FAROOQ CORPORATION
ENGINEERS & PRODUCT DEVELOPMENT
9360 SUNSET DRIVE, SUITE 220
MIAMI, FLORIDA 33173
TEL. (305) 264-8100 FAX. (305) 262-6978
(C.A.N. 3538)

SERIES-100 ALUM SINGLE HUNG WDW. (L.M.I.)
New Age Windows & Doors Corp.
7196 N.W. 77TH TERRACE
MEDLEY, FL. 33166
TEL. (305) 889-0703 FAX. (305) 889-0710

no.	date	description
A	10.24.17	UPDATED TO 2017 FBC
B	07.13.20	EDITORIAL CHANGES
C	07.19.23	NO CHANGE THIS SHEET

date: 07-30-14
scale: 1/2" = 1"
dr. by: TARIQ
chk. by:

drawing no. **W14-27**
sheet 2 of 5



WOOD BUCKS AND METAL STRUCTURE NOT BY 'NEW AGE WDW.' MUST SUSTAIN LOADS IMPOSED BY GLAZING SYSTEM AND TRANSFER THEM TO THE BUILDING STRUCTURE.

SEALANTS:

FRAME AND VENT CORNERS AND INSTALLATION SCREWS AT SILL SEALED WITH WHITE/ALUMINUM COLORED GENERAL PURPOSE SILICONE SEALANT BY MACKLANBURG-DUNCAN.

WEEPHOLES:

W1 = 1" X 1/8" WEEPHOLES AT 3-1/4" FROM EACH END
 W2 = 2" LONG NOTCH AT EACH END

TYPICAL ANCHORS: SEE ELEV. FOR SPACING

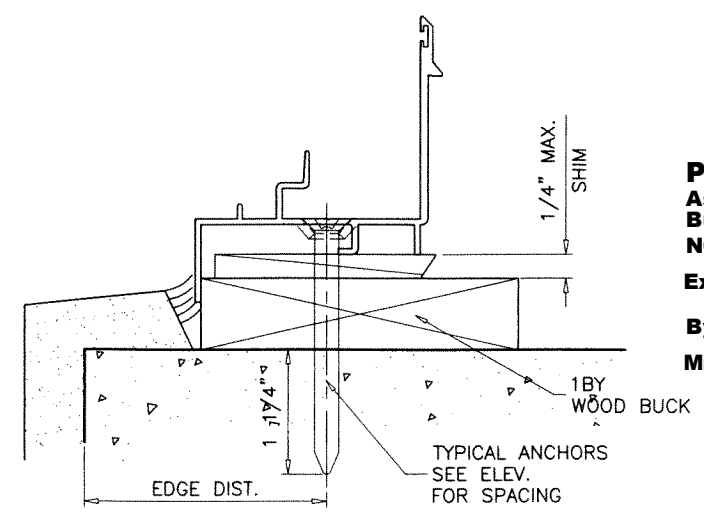
1/4" DIA. ULTRACON+ BY 'DEWALT' (Fu=164 KSI, Fy=148 KSI)
 INTO 2BY WOOD BUCKS OR WOOD STRUCTURES
 1-1/2" MIN. PENETRATION INTO WOOD (HEAD/SILL/JAMBS)
 THRU 1BY BUCKS INTO CONC. OR BLOCKS
 1-1/4" MIN. EMBED INTO CONCRETE (HEAD/SILL/JAMBS)
 1-1/4" MIN. EMBED INTO BLOCKS (JAMBS)
 DIRECTLY INTO CONCRETE OR BLOCKS
 1-1/4" MIN. EMBED INTO CONCRETE (HEAD/SILL/JAMBS)
 1-1/4" MIN. EMBED INTO BLOCKS (JAMBS)

1/4" DIA. TEKS OR SELF DRILLING SCREWS (GRADE 5 CRS)
 INTO MIAMI-DADE COUNTY APPROVED MULLIONS OR
 INTO METAL STRUCTURES (HEAD/SILL/JAMBS)
 (3) THREADS MIN. PENETRATION BEYOND SUBSTRATE
 ALUMINUM: 1/8" THK. MIN. (6063-T5 MIN.)
 STEEL: 1/8" THK. MIN. (Fy = 36 KSI MIN.)
 (STEEL IN CONTACT WITH ALUMINUM TO BE PLATED OR PAINTED)

TYPICAL EDGE DISTANCE

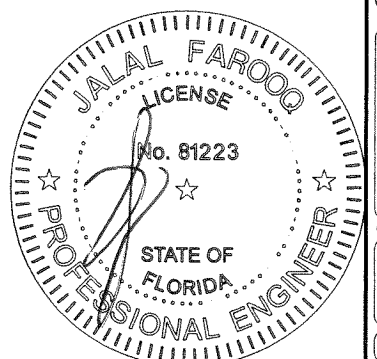
INTO CONCRETE AND MASONRY = 1-3/4" MIN.
 INTO WOOD STRUCTURE = 1" MIN.
 INTO METAL STRUCTURE = 3/4" MIN.

WOOD AT HEAD, SILL OR JAMBS SG = 0.55 MIN.
 CONCRETE AT HEAD, SILL OR JAMBS f'c = 3000 PSI MIN.
 C-90 HOLLOW/FILLED BLOCK AT JAMBS f'm = 2000 PSI MIN.



PRODUCT RENEWED
 As complying with the Florida Building Code
 NOA-No. **24-0513.03**
 Expiration Date: **12/24/2029**
 By: *Manuel Perez*
 Miami-Dade Product Control

PRODUCT REVISED
 As complying with the Florida Building Code
 NOA-No. **23-0724.19**
 Expiration Date: **12/24/2024**
 By: *Manuel Perez*
 Miami-Dade Product Control



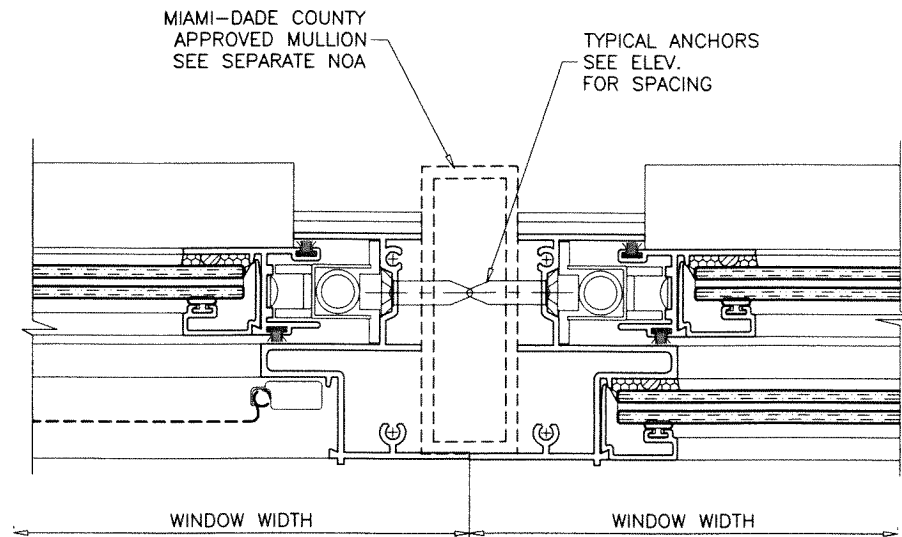
AL-FAROOQ CORPORATION
 ENGINEERS & PRODUCT DEVELOPMENT
 9360 SUNSET DRIVE, SUITE 220
 MIAMI, FLORIDA 33173
 TEL. (305) 264-8100 FAX. (305) 262-6978
 COMP-ANL W14-08NAW

SERIES-100 ALUM SINGLE HUNG WDW. (L.M.I.)
New Age Windows & Doors Corp.
 7196 N.W. 77TH TERRACE
 MEDLEY, FL. 33166
 TEL. (305) 889-0703 FAX. (305) 889-0710

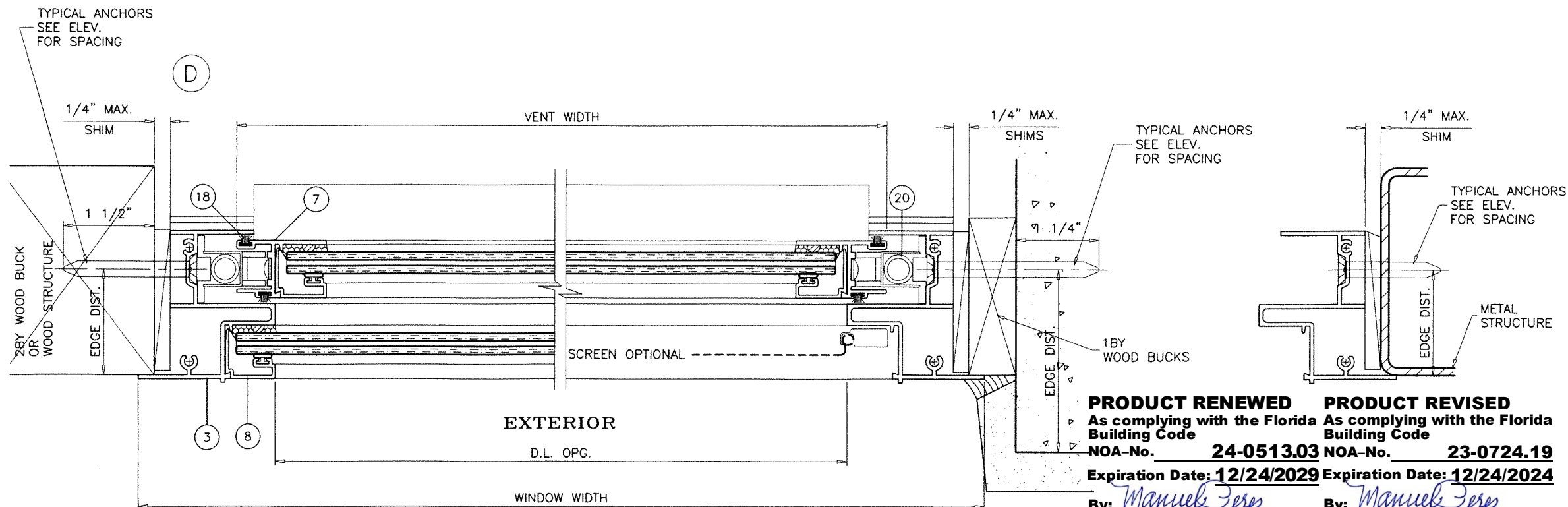
no.	date	description
A	10.24.17	UPDATED TO 2017 FBC
B	07.13.20	UPDATED TO 2020 FBC
C	07.19.23	NO CHANGE THIS SHEET

date: 07-30-14
 scale: 1/2" = 1"
 dr. by: TARIQ
 chk. by:

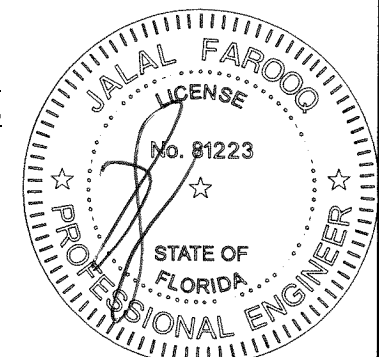
drawing no. **W14-27**
 sheet 3 of 5



ITEM #	PART #	REQD.	DESCRIPTION	MATERIAL	MANF./SUPPLIER/REMARKS
1	NA-201	1	FRAME HEAD	6063-T5	-
2	NA-202	1	FRAME SILL	6063-T5	-
3	NA-203	2	FRAME JAMB	6063-T5	-
4	NA-204	1	FIXED MTG. RAIL	6063-T5	-
5	NA-210	1	VENT TOP RAIL	6063-T5	-
6	NA-206	1	VENT BOTTOM RAIL	6063-T5	-
7	NA-207	2	VENT SIDE RAIL	6063-T5	-
8	NA-212	AS RQD.	GLAZING BEAD	6063-T5	-
9	-	2/VENT	SASH STOP	6063-T5	-
10	-	AS REQD.	GLAZING GASKET	VINYL	-
11	-	2/ LITE	SETTING BLOCKS (3/8" X 1/4" X 2" LONG)	EPDM	DUROMETER 80±5 SHORE A
12	NA-209	2/VENT	SPRING LOADED LATCH, AT 8-3/4" FROM ENDS	6063-T5	-
12A	-	1/ LATCH	LATCH SPRING	ST. STEEL	-
13	SL203P	2/ VENT	SWEEP LATCH, AT 8-3/4" FROM ENDS	ZAMAK	SULLIVAN & ASSOC.
13A	#8 X 5/8"	2/ LATCH	LATCH INSTALLATION SCREWS	ST. STEEL	FH SMS
14	#8 X 3/4"	AS REQD.	FRAME & VENT ASSEMBLY SCREWS	CRS	PH SMS
15	-	AS REQD.	SILL W'STRIPPING	NEOPRENE	ULTRAFAB
18	43620-187	AS REQD.	FIN SEAL W'STRIPPING	-	AMESBURY OR EQUIV.
19	NA-211	4/ VENT	SASH BALANCE CAM	CELCON	M&M PLASTICS
19A	#6 X 3/8"	1/ GUIDE	SASH GUIDE INST. SCREW	CRS	OH SMS TYPE B
20	-	2/VENT	BLOCK AND TACKLE BALANCES	-	SERIES 120 BY BSI
20A	-	-	BALANCE TAKE OUT CLIP	PLATED STEEL	-
21	-	AS REQD.	GLASS SPACER	SILICONE	FRANK LOWE
22	-	1	5/16" BOX SCREEN	-	OPTIONAL



PRODUCT RENEWED As complying with the Florida Building Code
PRODUCT REVISED As complying with the Florida Building Code
 NOA-No. **24-0513.03** NOA-No. **23-0724.19**
 Expiration Date: **12/24/2029** Expiration Date: **12/24/2024**
 By: *Manuel Perez* By: *Manuel Perez*
 Miami-Dade Product Control Miami-Dade Product Control
 JUL 2 2023



af c
AL-FAROOQ CORPORATION
 ENGINEERS & PRODUCT DEVELOPMENT
 9360 SUNSET DRIVE, SUITE 220
 MIAMI, FLORIDA 33173 (C.A.N. 3538)
 TEL. (305) 262-6978 FAX. (305) 262-6978
 COMP-ANL\W14-08NAW

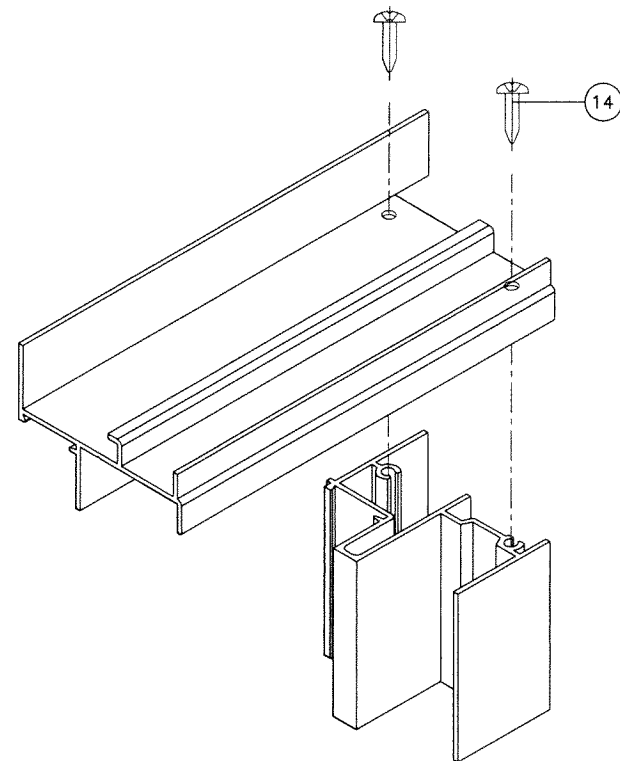
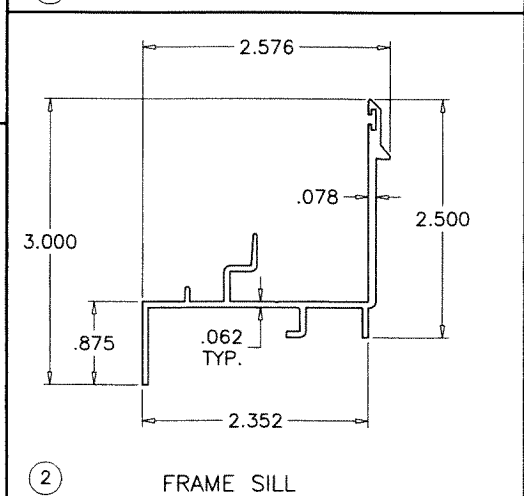
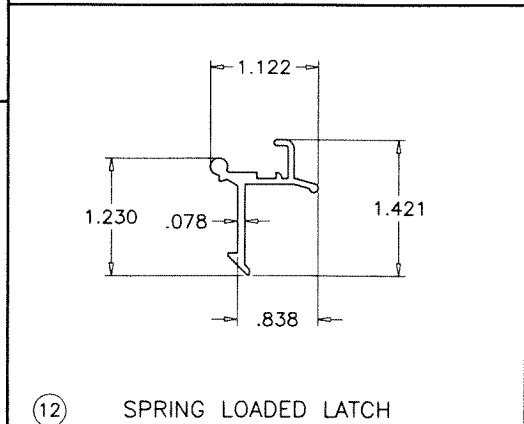
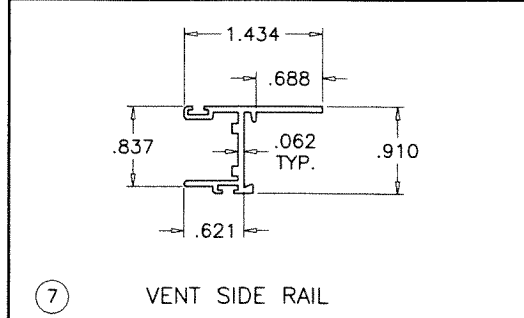
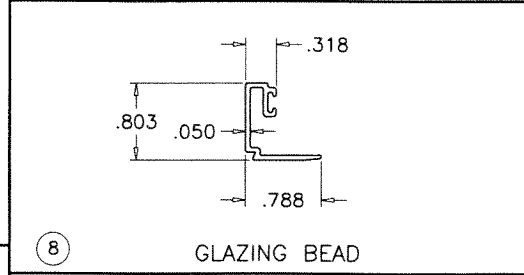
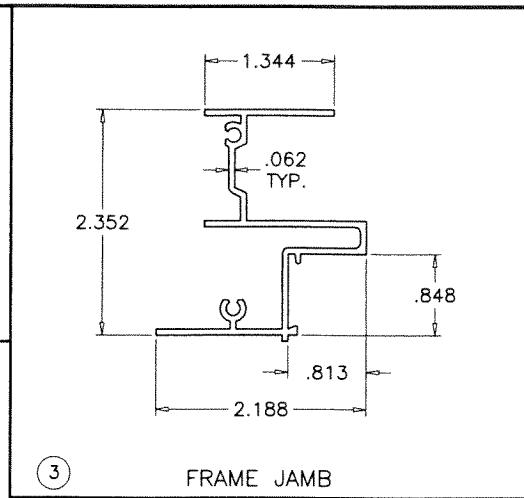
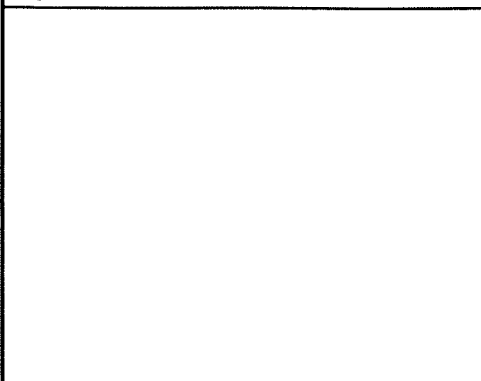
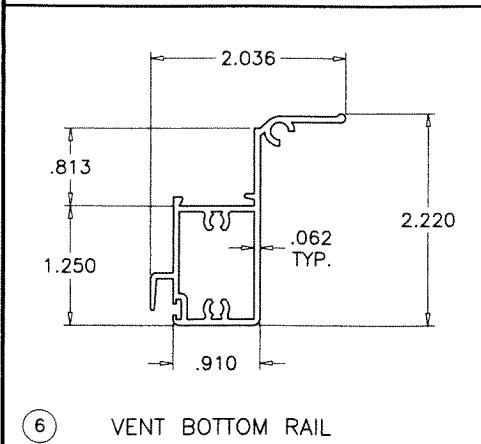
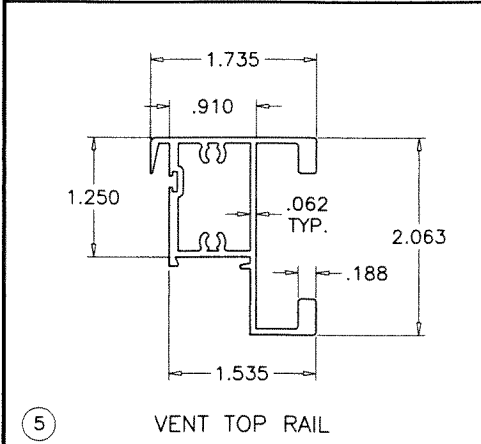
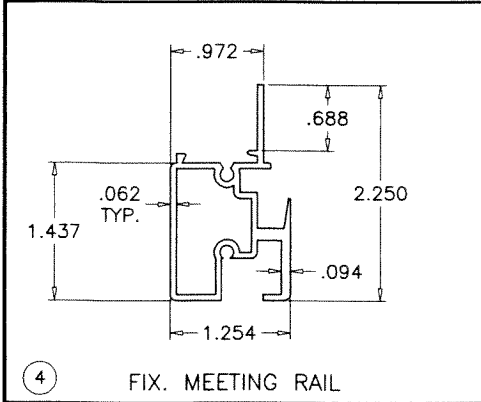
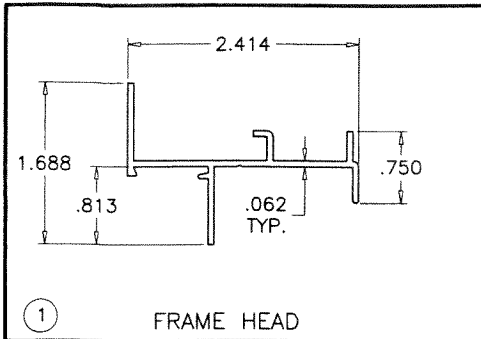
SERIES-100 ALUM SINGLE HUNG WDW. (L.M.I.)
New Age Windows & Doors Corp.
 7196 N.W. 77TH TERRACE
 MEDLEY, FL. 33166
 TEL. (305) 889-0703 FAX. (305) 889-0710

no	date	description
A	10.24.17	UPDATED TO 2017 FBC
B	07.13.20	EDITORIAL CHANGES
C	07.19.23	NO CHANGE THIS SHEET

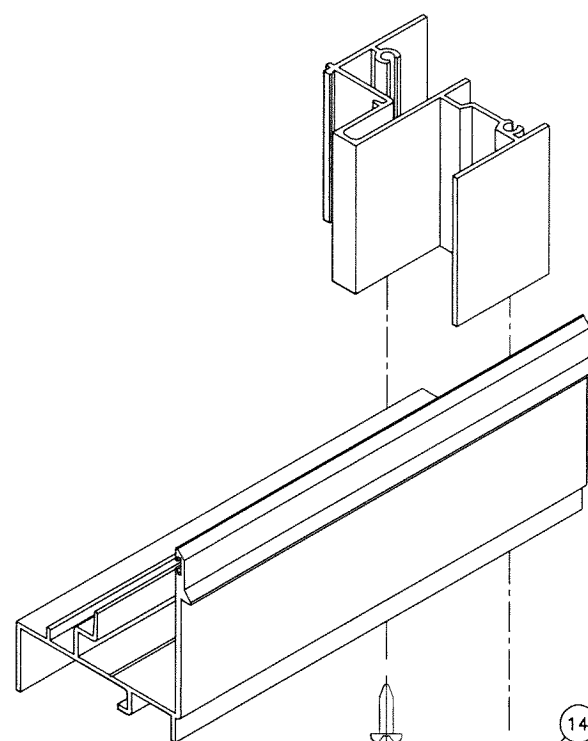
revisions:

date: 07-30-14
 scale: 1/2" = 1"
 dr. by: TARIQ
 chk. by:

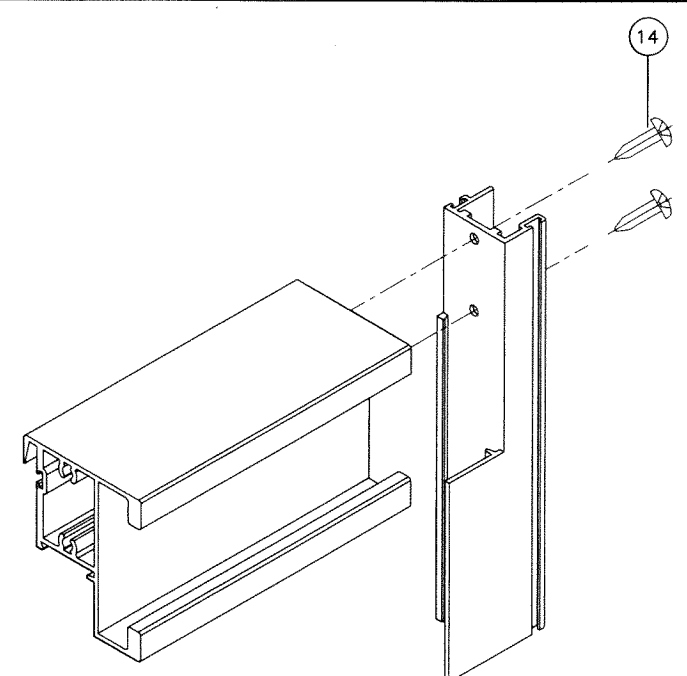
drawing no. **W14-27**
 sheet 4 of 5



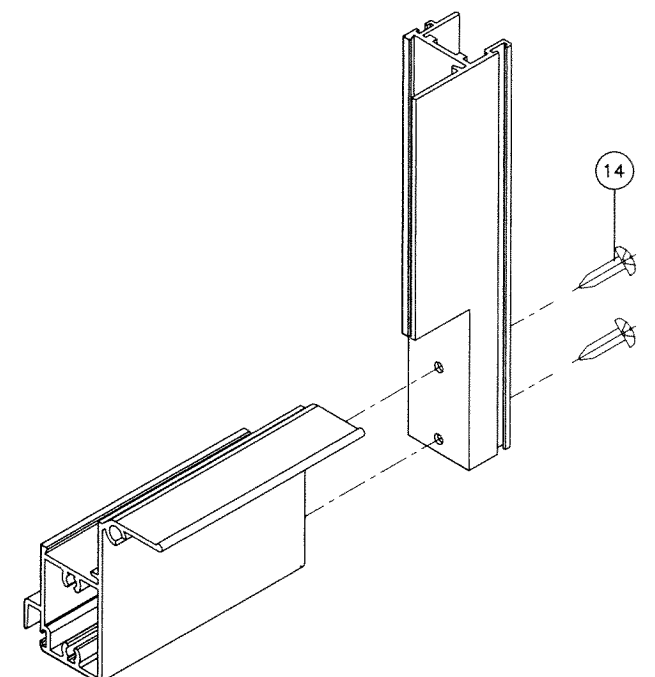
FRAME TOP CORNER



FRAME BOTTOM CORNER



VENT TOP CORNER

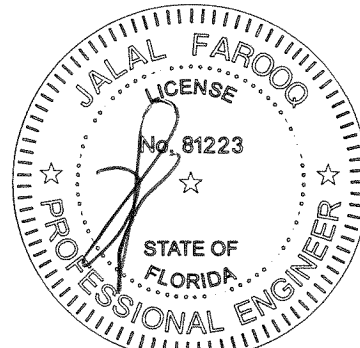


VENT BOTTOM CORNER

PRODUCT RENEWED
As complying with the Florida Building Code
NOA-No. **24-0513.03**
Expiration Date: **12/24/2029**
By: *Manuel Perez*
Miami-Dade Product Control

PRODUCT REVISED
As complying with the Florida Building Code
NOA-No. **23-0724.19**
Expiration Date: **12/24/2024**
By: *Manuel Perez*
Miami-Dade Product Control

JUL 2 2023



af c
AL-FAROOQ CORPORATION
ENGINEERS & PRODUCT DEVELOPMENT
9360 SUNSET DRIVE, SUITE 220
MIAMI, FLORIDA 33173
TEL. (305) 264-8100 FAX. (305) 262-6978
COMP-ANL\W14-08NAW

SERIES-100 ALUM SINGLE HUNG WDW. (L.M.I.)
New Age Windows & Doors Corp.
7196 N.W. 77TH TERRACE
MEDLEY, FL. 33166
TEL. (305) 889-0703 FAX. (305) 889-0710

no	date	description
A	10.24.17	UPDATED TO 2017 FBC
B	07.13.20	EDITORIAL CHANGES
C	07.19.23	NO CHANGE THIS SHEET

revisions:

date: 07-30-14
scale: 1/2" = 1"
dr. by: TARIQ
chk. by:

drawing no. **W14-27**
sheet 5 of 5