



MIAMI-DADE COUNTY
PRODUCT CONTROL SECTION

11805 SW 26 Street, Room 208

Miami, Florida 33175-2474

T (786) 315-2590 F (786) 315-2599

DEPARTMENT OF REGULATORY AND ECONOMIC RESOURCES (RER)
BOARD AND CODE ADMINISTRATION DIVISION

NOTICE OF ACCEPTANCE (NOA)

www.miamidade.gov/building

Euro Windows, Inc.

Calle 16 Lote #21

Urbanización Industrial Villa Prades - PO Box 9023867

San Juan, PR 00924

San Juan, PR 00902

SCOPE:

This NOA is being issued under the applicable rules and regulations governing the use of construction materials. The documentation submitted has been reviewed and accepted by Miami-Dade County RER-Product Control Section to be used in Miami-Dade County and other areas where allowed by the Authority Having Jurisdiction (AHJ).

This NOA shall not be valid after the expiration date stated below. The Miami-Dade County Product Control Section (In Miami-Dade County) and/ or the AHJ (in areas other than Miami-Dade County) reserve the right to have this product or material tested for quality assurance purposes. If this product or material fails to perform in the accepted manner, the manufacturer will incur the expense of such testing and the AHJ may immediately revoke, modify, or suspend the use of such product or material within their jurisdiction. RER reserves the right to revoke this acceptance if it is determined by Miami-Dade County Product Control Section that this product or material fails to meet the requirements of the applicable building code.

This product is approved as described herein and has been designed to comply with the Florida Building Code, including the High Velocity Hurricane Zone.

DESCRIPTION: White PVC Fixed Window - S.M.I.

APPROVAL DOCUMENT: Drawing No. **W17-77**, titled "White PVC Fixed Window (S.M.I.)", sheets 1 through 5 of 5, dated 08/28/17, with revision **B** dated 09/26/23, prepared by Al-Farooq Corporation, signed and sealed by Jalal Farooq, P.E., bearing the Miami-Dade County Product Control Renewal stamp with the Notice of Acceptance number and expiration date by the Miami-Dade County Product Control Section.

MISSILE IMPACT RATING: Small Missile Impact Resistant

LABELING: Each unit shall bear a permanent label with the manufacturer's name or logo, city, state, series, and following statement: "Miami-Dade County Product Control Approved", unless otherwise noted herein.

RENEWAL of this NOA shall be considered after a renewal application has been filed and there has been no change in the applicable building code negatively affecting the performance of this product.

TERMINATION of this NOA will occur after the expiration date or if there has been a revision or change in the materials, use, and/ or manufacture of the product or process. Misuse of this NOA as an endorsement of any product, for sales, advertising or any other purposes shall automatically terminate this NOA. Failure to comply with any section of this NOA shall be cause for termination and removal of NOA.

ADVERTISEMENT: The NOA number preceded by the words Miami-Dade County, Florida, and followed by the expiration date may be displayed in advertising literature. If any portion of the NOA is displayed, then it shall be done in its entirety.

INSPECTION: A copy of this entire NOA shall be provided to the user by the manufacturer or its distributors and shall be available for inspection at the job site at the request of the Building Official.

This NOA **renews NOA No. 23-1012.21** and consists of this page 1 and evidence pages E-1, E-2 and E-3, as well as approval document mentioned above.

The submitted documentation was reviewed by **Manuel Perez, P.E.**


7/12/24

NOA No. 24-0613.02

Expiration Date: September 05, 2029

Approval Date: July 25, 2024

Page 1

NOTICE OF ACCEPTANCE: EVIDENCE SUBMITTED

1. EVIDENCE SUBMITTED UNDER PREVIOUS NOA's

A. DRAWINGS

1. Manufacturer's die drawings and sections.
(Submitted under NOA No. 18-0611.04)
2. Drawing No **W17-77**, titled "White PVC Fixed Window (S.M.I.)", sheets 1 through 5 of 5, dated 08/28/17, with revision **B** dated 09/26/23, prepared by Al-Farooq Corporation, signed and sealed by Jalal Farooq, P.E.
(Submitted under NOA No. 23-1012.21)

B. TESTS


1. Test reports on: 1) Air Infiltration Test, per FBC, TAS 202-94
2) Uniform Static Air Pressure Test, Loading per FBC, TAS 202-94
3) Water Resistance Test, per FBC, TAS 202-94
4) Small Missile Impact Test per FBC, TAS 201-94
5) Cyclic Wind Pressure Loading per FBC, TAS 203-94
along with marked-up drawings and installation diagram of a white PVC mullied fixed window, Fenestration Testing Laboratory, Inc., Test Report No. **FTL-9396**, dated 04/03/17, signed and sealed by Idalmis Ortega, P.E.
(Submitted under NOA No. 18-0611.04)
2. Test reports on: 1) Small Missile Impact Test per FBC, TAS 201-94
2) Cyclic Wind Pressure Loading per FBC, TAS 203-94
along with marked-up drawings and installation diagram of a white PVC fixed window, Fenestration Testing Laboratory, Inc., Test Report No. **FTL-9580**, dated 03/09/17, signed and sealed by Idalmis Ortega, P.E.
(Submitted under NOA No. 18-0611.04)

C. CALCULATIONS

1. Anchor verification calculations and structural analysis, complying with FBC 6th Edition (2017), dated 03/08/18, prepared by Al-Farooq Corporation, signed and sealed by Javad Ahmad, P.E.
(Submitted under NOA No. 18-0611.04)
2. Glazing complies with **ASTM E1300-09/12**

D. QUALITY ASSURANCE

1. Miami-Dade Department of Regulatory and Economic Resources (RER).



Manuel Perez, P.E.
Product Control Examiner
NOA No. 24-0613.02
Expiration Date: September 05, 2029
Approval Date: July 25, 2024

NOTICE OF ACCEPTANCE: EVIDENCE SUBMITTED

1. EVIDENCE SUBMITTED UNDER PREVIOUS NOA's (CONTINUED)

E. MATERIAL CERTIFICATIONS

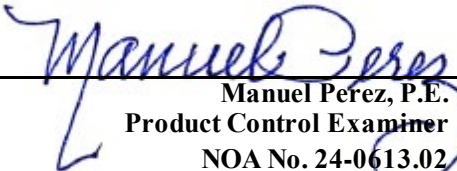
1. Notice of Acceptance No. **20-0915.22** issued to **Kuraray America, Inc.** for their “**Trosifol® Ultraclear, Clear and Color PVB Glass Interlayers**” dated 11/19/20, expiring on 07/08/24.
2. Notice of Acceptance No. **21-0615.15** issued to **Profine GmbH**, for their “**White Rigid PVC Exterior Extrusions for Windows and Doors**” dated 07/21/22, expiring on 08/22/24.

F. STATEMENTS

1. Statement letter of conformance, complying with **FBC 7th Edition (2020)**, with **FBC 8th Edition (2023)** and of no financial interest, dated September 26, 2023, issued by Al-Farooq Corporation, signed and sealed by Jalal Farooq, P.E.
(Submitted under NOA No. 23-1012.21)
2. Proposal No. **16-0813**, issued to Euro Windows, Inc. for their Testing program for PVC Tilt Turn and Fixed Window - L.M.I. and S.M.I., issued by the Product Control Section, dated August 5, 2016, signed by Manuel Perez, P.E.
(Submitted under NOA No. 18-0611.04)

G. OTHERS

1. Notice of Acceptance No. **18-0611.04**, issued to Euro Windows, Inc. for their White PVC Fixed Window – S.M.I., approved on 09/05/19 and expiring on 09/05/24.



Manuel Perez, P.E.
Product Control Examiner
NOA No. 24-0613.02
Expiration Date: September 05, 2029
Approval Date: July 25, 2024

NOTICE OF ACCEPTANCE: EVIDENCE SUBMITTED

2. NEW EVIDENCE SUBMITTED

A. DRAWINGS

1. None.

B. TESTS

1. None

C. CALCULATIONS

1. None

D. QUALITY ASSURANCE

1. Miami-Dade Department of Regulatory and Economic Resources (RER)

E. MATERIAL CERTIFICATIONS


1. Notice of Acceptance No. **24-0205.28** issued to **Kuraray America, Inc.** for their “**Trosifol® Ultraclear, Clear and Color PVB Glass Interlayers**” dated 03/21/24, expiring on 07/08/29.
2. Notice of Acceptance No. **21-0615.15** issued to **Profine GmbH**, for their “**White Rigid PVC Exterior Extrusions for Windows and Doors**” dated 07/21/22, expiring on 08/22/24.

F. STATEMENTS

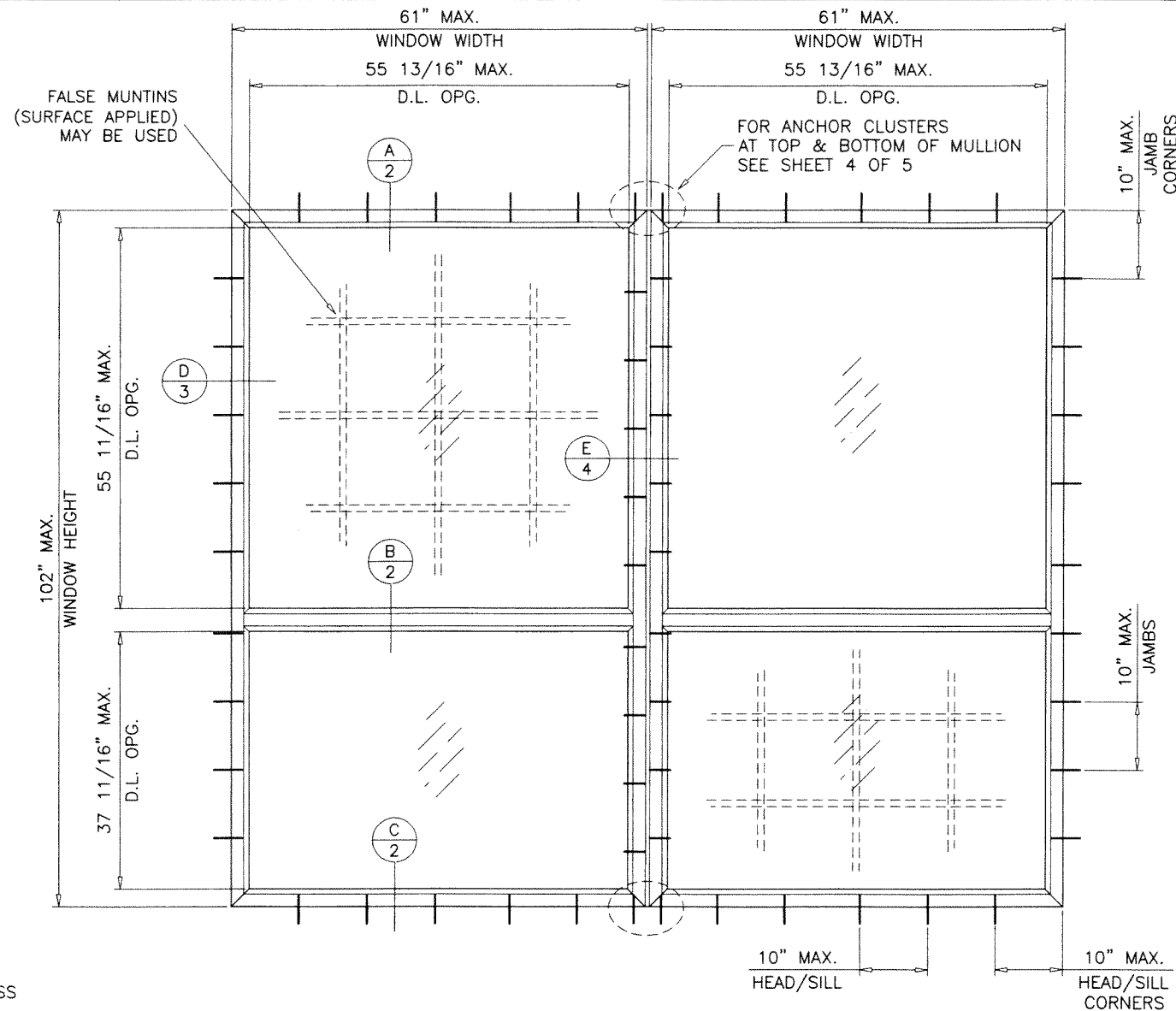
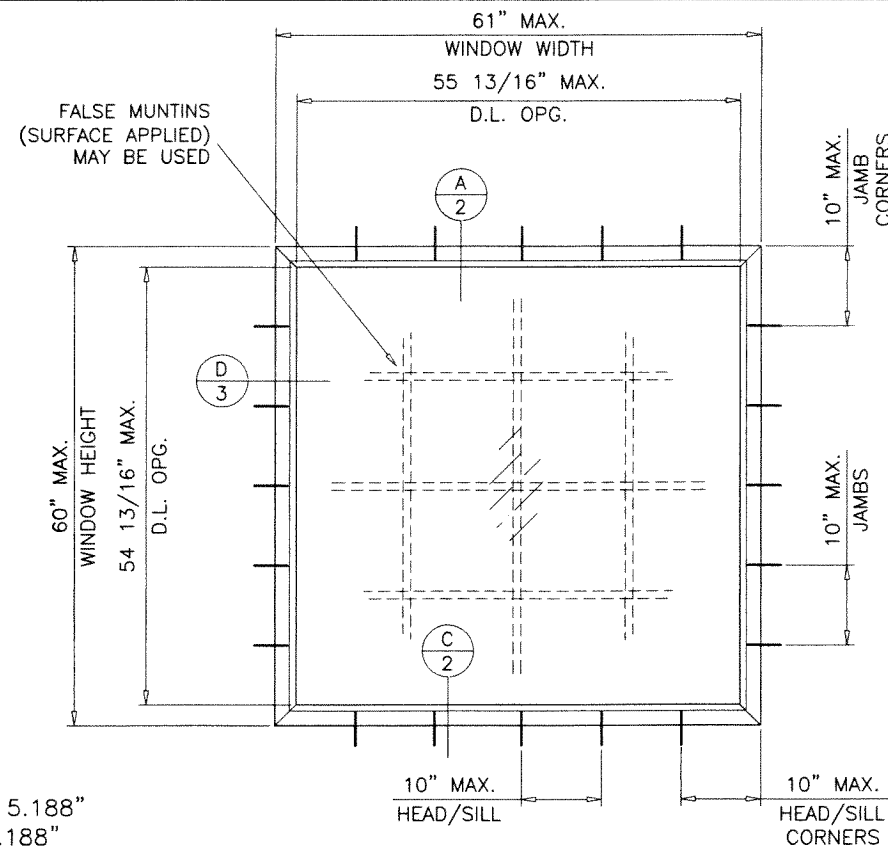
1. Statement letter of conformance, complying with **FBC 8th Edition (2023)** and of no financial interest, dated June 11, 2024, issued by Al-Farooq Corporation, signed and sealed by Jalal Farooq, P.E.

G. OTHERS

1. Notice of Acceptance No. **23-1012.21**, issued to Euro Windows, Inc. for their White PVC Fixed Window – S.M.I., approved on 11/22/23 and expiring on 09/05/24.



Manuel Perez, P.E.
Product Control Examiner
NOA No. 24-0613.02
Expiration Date: September 05, 2029
Approval Date: July 25, 2024



DAYLITE OPENINGS:
 D.L.O. HEIGHT = WINDOW HEIGHT - 5.188"
 D.L.O. WIDTH = WINDOW WIDTH - 5.188"

PRODUCT RENEWED
 As complying with the Florida Building Code
 NOA-No. **24-0613.02**
 Expiration Date: **09/05/2029**

By: *Manuel Perez*
 Miami-Dade Product Control

MAXIMUM DESIGN LOAD RATING = + 67.0 PSF
 (FOR SINGLE WINDOW SIZE SHOWN ABOVE - 100.0 PSF OR SMALLER)
 SEE SHEET 4 FOR MULLION AND MULLION ANCHOR CAPACITIES.

WHITE PVC FIXED WINDOW (S.M.I.)

APPROVAL APPLIES TO SINGLE FIXED WINDOWS OR SIDE BY SIDE COMBINATIONS OF FIXED/FIXED IN MODULES OF TWO OR MORE WINDOWS USING MULLIONS IN BETWEEN.
 FOR FIXED WINDOW CAPACITY SEE THIS SHEET.
 FOR MULLION AND MULLION ANCHOR CAPACITY SEE SHEET 4.
 LOWER DESIGN PRESSURE FROM FIXED WINDOW OR MULLION CAPACITY CHARTS WILL APPLY TO ENTIRE SYSTEM.

THIS PRODUCT HAS BEEN DESIGNED AND TESTED TO COMPLY WITH THE REQUIREMENTS OF THE 2020 (7TH EDITION)/2023 (8TH EDITION) FLORIDA BUILDING CODE INCLUDING HIGH VELOCITY HURRICANE ZONE (HVHZ).

1BY OR 2BY WOOD BUCKS & BUCK FASTENERS BY OTHERS, MUST BE DESIGNED AND INSTALLED ADEQUATELY TO TRANSFER APPLIED PRODUCT LOADS TO THE BUILDING STRUCTURE.

ANCHORS SHALL BE CORROSION RESISTANT, SPACED AS SHOWN ON DETAILS AND INSTALLED PER MANUF'S INSTRUCTIONS. SPECIFIED EMBEDMENT TO BASE MATERIAL SHALL BE BEYOND WALL DRESSING OR STUCCO.

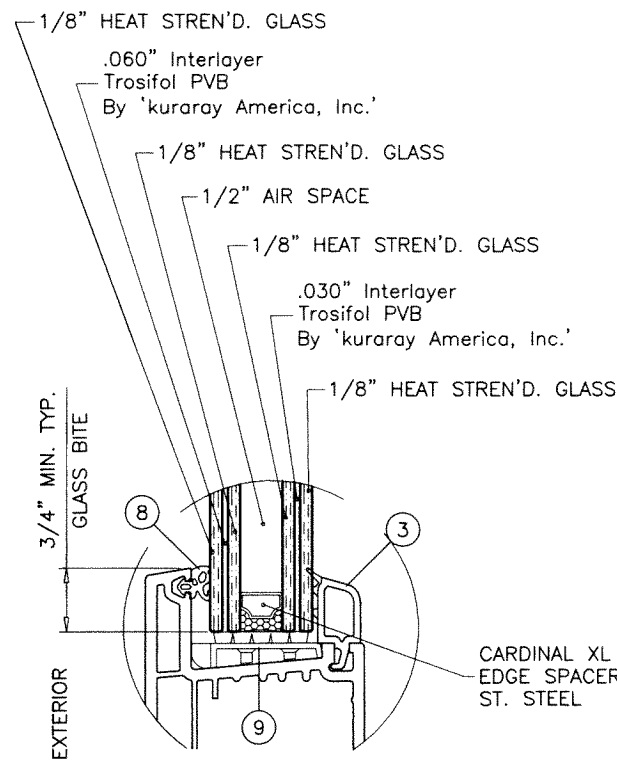
A LOAD DURATION INCREASE IS USED IN DESIGN OF ANCHORS INTO WOOD ONLY.

ALL SHIMS TO BE HIGH IMPACT, NON-METALLIC AND NON-COMPRESSIBLE.

MATERIALS INCLUDING BUT NOT LIMITED TO STEEL/METAL SCREWS, THAT COME INTO CONTACT WITH OTHER DISSIMILAR MATERIALS SHALL MEET THE REQUIREMENTS OF THE 2020/2023 FLORIDA BLDG. CODE & ADOPTED STANDARDS.

THIS PRODUCT APPROVAL IS GENERIC AND DOES NOT PROVIDE INFORMATION FOR A SITE SPECIFIC PROJECT, i.e. LIFE SAFETY OF THIS PRODUCT, ADEQUACY OF STRUCTURE RECEIVING THIS PRODUCT AND SEALING AROUND OPENING FOR WATER INFILTRATION RESISTANCE ETC.
 CONDITIONS NOT SHOWN IN THIS DRAWING ARE TO BE ANALYZED SEPARATELY, AND TO BE REVIEWED BY BUILDING OFFICIAL.

DESIGN LOADS SHOWN ARE BASED ON 'ALLOWABLE STRESS DESIGN (ASD)'



GLAZING DETAIL

1-1/16" OVERALL INSUL. LAM. GLASS

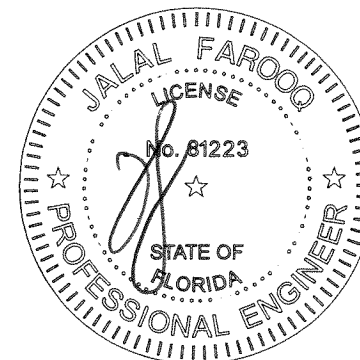
FOR MULLED UNITS SHOWN ABOVE, SEE MULLION LOAD CAPACITY AND MULLION ANCHOR CAPACITY CHARTS ON SHEET 4 OF 5.
 FOR WINDOWS WITH HORIZONTAL MULLION (IMPOST) SEE MAXIMUM DESIGN LOADS FOR WINDOWS WITH IMPOST ON 2 OF 5.

THESE WINDOWS ARE RATED FOR SMALL MISSILE IMPACT. MIAMI-DADE COUNTY APPROVED IMPACT RESISTANT SHUTTERS REQUIRED FOR INSTALLATIONS UP TO 30 FT. OF GRADE. SHUTTERS NOT REQD. FOR INSTALLATIONS ABOVE 30 FT. OF GRADE.

NOTE: GLASS CAPACITIES ON THIS SHEET ARE BASED ON ASTM E1300-09 (3 SEC. GUSTS).

PRODUCT REVISED
 As complying with the Florida Building Code
 NOA-No. **23-1012.21**
 Expiration Date: **09/05/2024**
 By: *Manuel Perez*
 Miami-Dade Product Control

OCT 04 2023

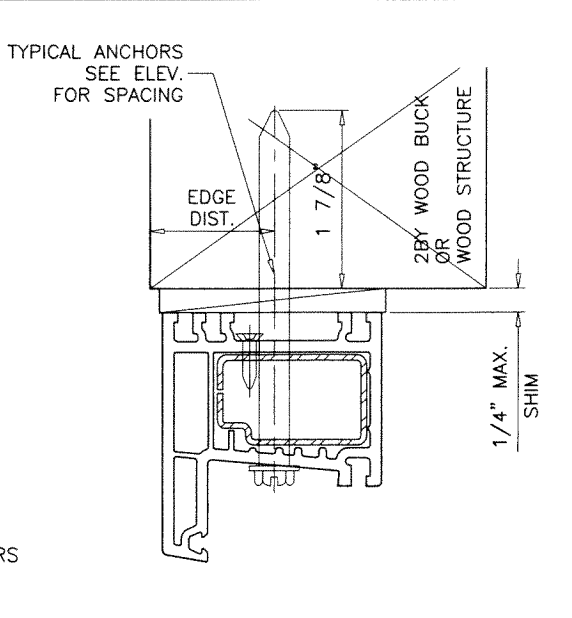
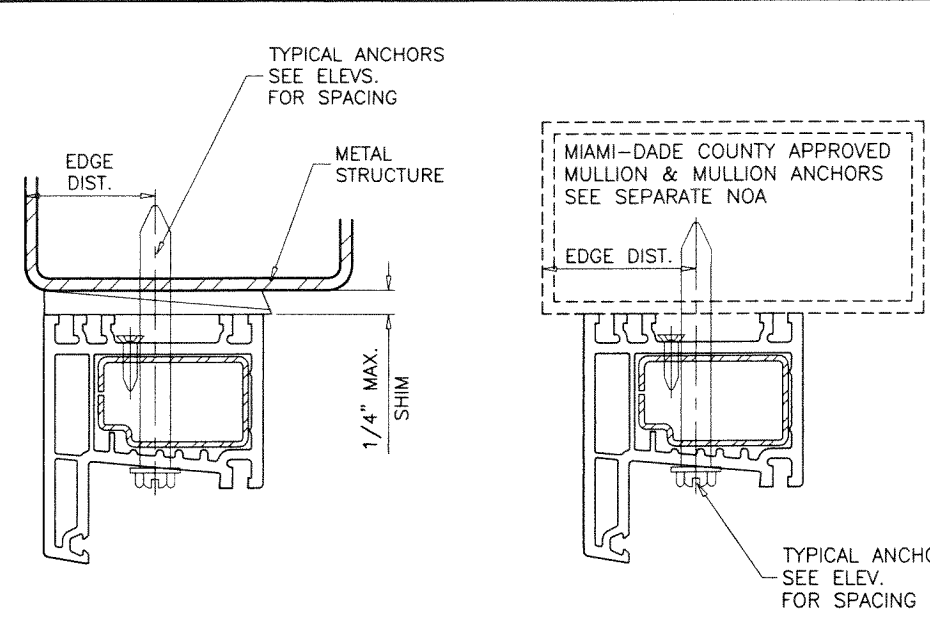
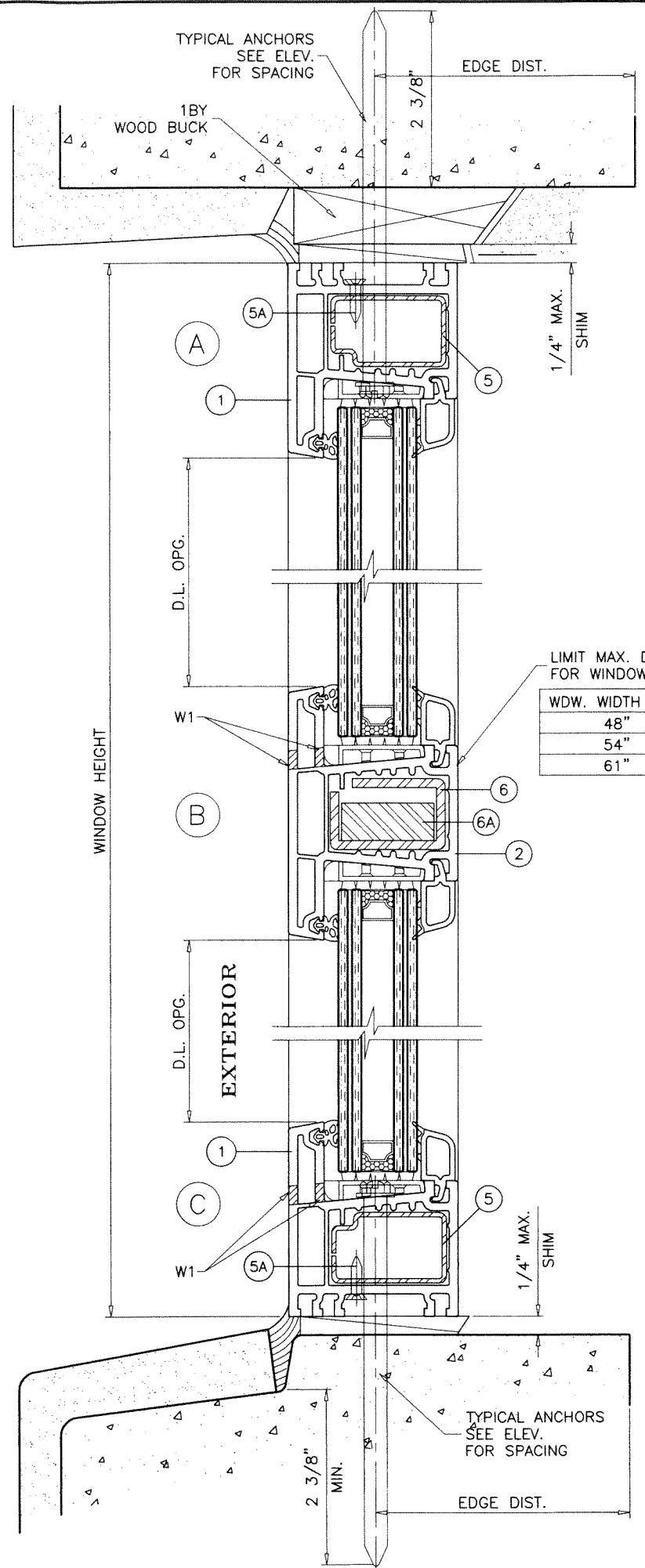


af c
AL-FAROOQ CORPORATION
 ENGINEERS & PRODUCT DEVELOPMENT
 9360 SUNSET DRIVE, SUITE 220
 MIAMI, FLORIDA 33173 (C.A.N. 3538)
 TEL. (305) 264-8100 FAX. (305) 262-6978
 COMP-ANL\W17-77EW

WHITE PVC FIXED WINDOW (S.M.I.)
Euro Windows, Inc.
 Calle 16, Lote No. 21
 Urb. Industrial Villa Prades
 San Juan, PR 00924
 Tel. (787) 722-2531 Fax. (787) 724-4093

no.	date	description
A	07.25.18	REV. PER RER COMMENTS
B	09.26.23	UPDATED TO 2023 FBC

date: 08-28-17
 scale: 1/2" = 1'-0"
 dr. by: TARIQ
 chk. by:
 drawing no. **W17-77**
 sheet 1 of 5



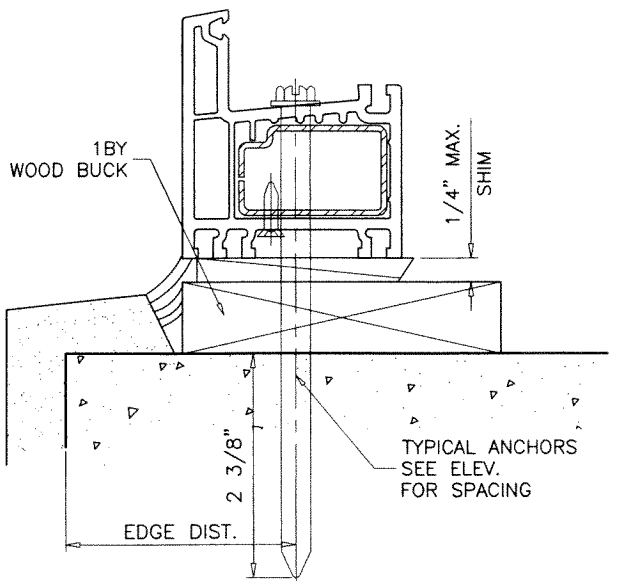
WOOD BUCKS AND METAL STRUCTURE NOT BY 'EURO WINDOWS' MUST SUSTAIN LOADS IMPOSED BY GLAZING SYSTEM AND TRANSFER THEM TO THE BUILDING STRUCTURE.

LIMIT MAX. DESIGN LOADS FOR WINDOWS WITH IMPOST AS FOLLOWS

WDW. WIDTH MAX.	LOAD CAPACITY - PSF
48"	100.0
54"	78.7
61"	56.7

WEEPHOLES:

W1 = 1/4" X 1-1/4" WEEP SLOT AT 7-1/2" FROM EACH END.



TYPICAL ANCHORS: SEE ELEV. FOR SPACING
3/8" DIA. LAG SCREWS'
 INTO WOOD STRUCTURES
 1-7/8" MIN. PENETRATION INTO WOOD (HEAD/SILL/JAMBS)

3/8" DIA. HUS-CR BY 'HILTI'
 THRU 1BY OR 2BY BUCKS INTO CONC. OR BLOCKS
 2-3/8" MIN. EMBED INTO CONCRETE (HEAD/SILL/JAMBS)
 2-3/8" MIN. EMBED INTO GROUT FILLED BLOCKS (JAMBS)
 DIRECTLY INTO CONCRETE OR BLOCKS
 2-3/8" MIN. EMBED INTO CONCRETE (HEAD/SILL/JAMBS)
 2-3/8" MIN. EMBED INTO GROUT FILLED BLOCKS (JAMBS)

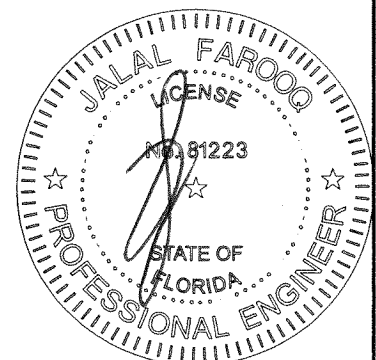
3/8" DIA. TEKS OR SELF DRILLING SCREWS (GRADE 5 CRS)
 INTO MIAMI-DADE COUNTY APPROVED MULLIONS OR
 INTO METAL STRUCTURES (HEAD/SILL/JAMBS)
 (3) THREADS MIN. PENETRATION BEYOND SUBSTRATE
 ALUMINUM: 1/8" THK. MIN. (6063-T5 MIN.)
 STEEL: 1/8" THK. MIN. (Fy = 36 KSI MIN.)
 (STEEL IN CONTACT WITH ALUMINUM TO BE PLATED OR PAINTED)

TYPICAL EDGE DISTANCE
 INTO CONCRETE AND MASONRY = 2-1/2" MIN.
 INTO WOOD STRUCTURE = 1-1/2" MIN.
 INTO METAL STRUCTURE = 3/4" MIN.
 WOOD AT HEAD, SILL OR JAMBS SG = 0.55 MIN.
 CONCRETE AT HEAD, SILL OR JAMBS f'c = 3000 PSI MIN.
 C-90 GROUT FILLED BLOCK AT JAMBS f'm = 2000 PSI MIN.

PRODUCT RENEWED
 As complying with the Florida Building Code
 NOA-No. **24-0613.02**
 Expiration Date: **09/05/2029**
 By: *Manuel Perez*
 Miami-Dade Product Control

PRODUCT REVISED
 As complying with the Florida Building Code
 NOA-No. **23-1012.21**
 Expiration Date: **09/05/2024**
 By: *Manuel Perez*
 Miami-Dade Product Control

OCT 04 2023



AL-FAROOQ CORPORATION
 ENGINEERS & PRODUCT DEVELOPMENT
 9360 SUNSET DRIVE, SUITE 220
 MIAMI, FLORIDA 33173 (C.A.N. 3538)
 TEL. (305) 264-8100 FAX. (305) 262-6978
 COMP-ANL \ W17-77EW

WHITE PVC FIXED WINDOW (S.M.I.)

Euro Windows, Inc.
 Calle 16, Lote No. 21
 Urb. Industrial Villa Prades
 San Juan, PR 00924
 Tel. (787) 722-2531 Fax. (787) 724-4093

no	date	description
A	07.25.18	REV. PER PER COMMENTS
B	09.26.23	UPDATED TO 2023 FBC

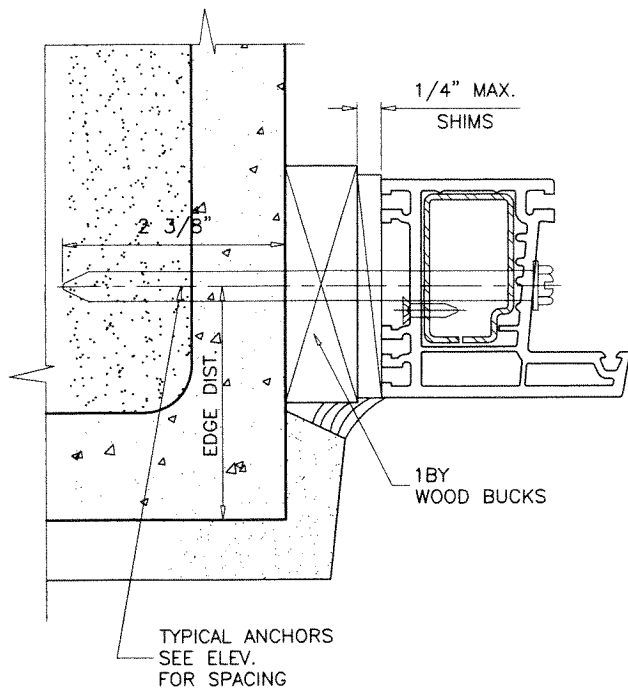
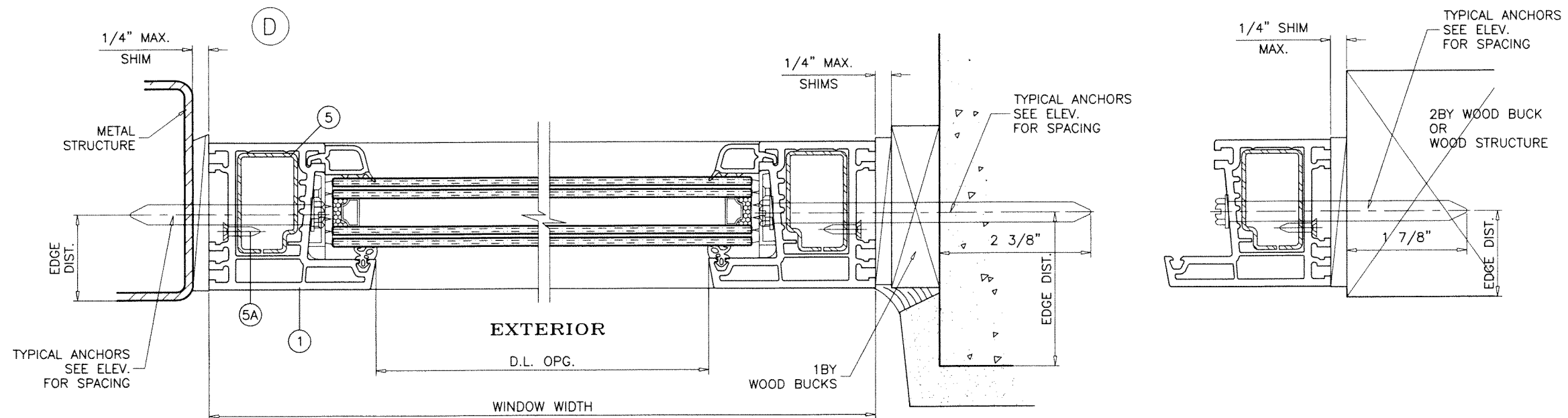
revisions:

date: 08-28-17
 scale: 1/2" = 1"
 dr. by: TARIQ
 chk. by:

drawing no. **W17-77**
 sheet 2 of 5

ITEM	PART #	QUANTITY	DESCRIPTION	MATERIAL	MANF./SUPPLIER/REMARKS
1	1401	4	WINDOW FRAME	VINYL	KOMMERLING
2	1422.W	AS REQD.	IMPOST (HORIZONTAL MULLION)	VINYL	KOMMERLING
3	2428	4/ LITE	GLAZING BEAD	VINYL	KOMMERLING
4	0481	2/ MULL	MULLION COVER	VINYL	KOMMERLING
5	9203.1	4/ LITE	WINDOW FRAME REINFORCING	GALV. STEEL	KOMMERLING
5A	#8 X 3/4"	4/ SIDE	REINFORCING FASTENERS, AT 3" FROM ENDS AND 14" O.C.	ST. STEEL	FH SELF DRILLING
6	9208.1	2/ MULLION	IMPOST/MULLION REINFORCING	GALV. STEEL	KOMMERLING
6A	-	2/ MULLION	IMPOST/MULLION REINFORCING	GALV. STEEL	KOMMERLING
7	1234	1/ MULLION	MULLION	GALV. STEEL	JUNCO STEEL
8	9045	4/ LITE	GLAZING GASKET	EPDM	KOMMERLING
9	-	2/ LITE	SETTING BLOCK	EPDM	DUROMETER 80±5 SHORE A

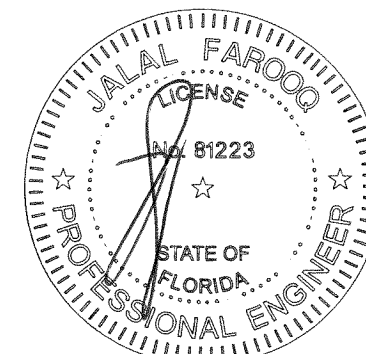
WHITE PVC EXTRUSIONS TO BE LABELED WITH AAMA EXTRUDER CODE, EXTRUDER NAME, CITY, STATE AND 'MDCA'.



PRODUCT RENEWED
As complying with the Florida Building Code
NOA-No. **24-0613.02**
Expiration Date: **09/05/2029**
By: *Manuel Perez*
Miami-Dade Product Control

PRODUCT REVISED
As complying with the Florida Building Code
NOA-No. **23-1012.21**
Expiration Date: **09/05/2024**
By: *Manuel Perez*
Miami-Dade Product Control

OCT 04 2023



AL-FAROOQ CORPORATION
ENGINEERS & PRODUCT DEVELOPMENT
9360 SUNSET DRIVE, SUITE 220
MIAMI, FLORIDA 33173
TEL. (305) 264-8100 FAX. (305) 262-6978
COMP-ANL\W17-77EW

WHITE PVC FIXED WINDOW (S.M.I.)
Euro Windows, Inc.
Calle 16, Lote No. 21
Urb. Industrial Villa Prades
San Juan, PR 00924
Tel. (787) 722-2531 Fax. (787) 724-4093

revisions:	no	date	description
A	07.25.18		REV. PER PER COMMENTS
B	09.26.23		UPDATED TO 2023 FBC

date: 08-28-17
scale: 1/2" = 1"
dr. by: TARIQ
chk. by:

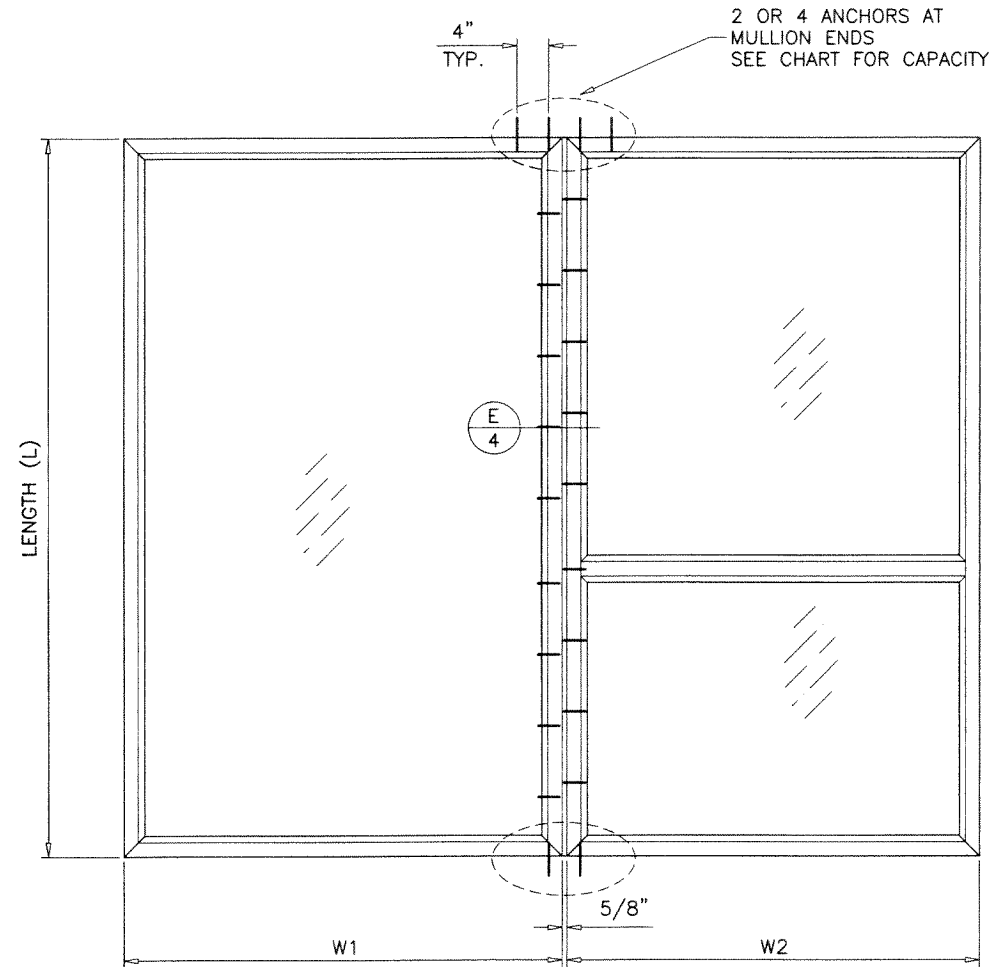
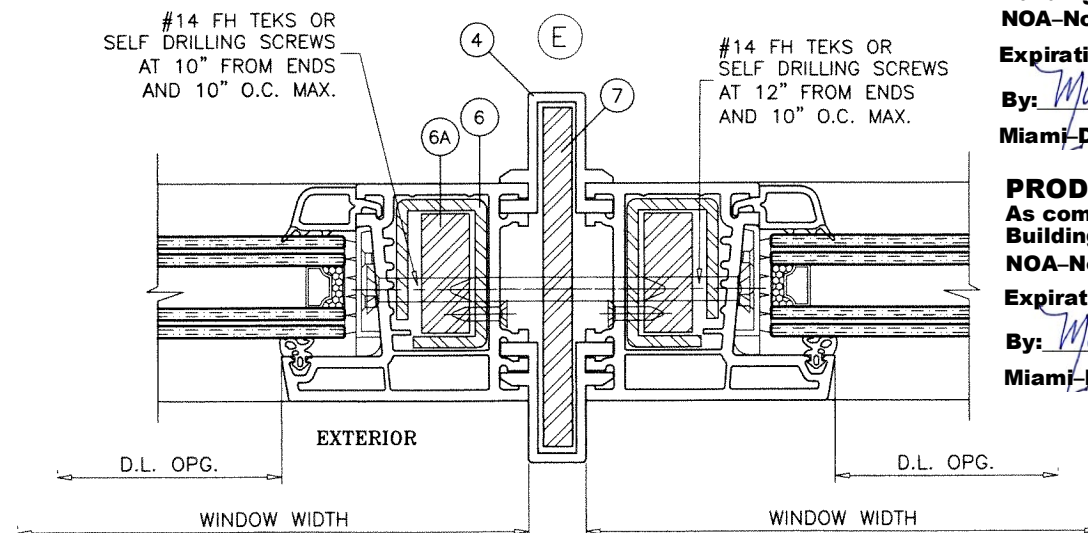
drawing no. **W17-77**
sheet 3 of 5

MULLION LOAD CAPACITY - PSF				MULLION ANCHOR LOAD CAPACITY - PSF					
WINDOW DIMS.		STEEL MULLION		WINDOW DIMS.		2 ANCHORS		4 ANCHORS	
WIDTH (W)	LENGTH (L)	EXT.(+)	INT.(-)	WIDTH (W)	LENGTH (L)	EXT.(+)	INT.(-)	EXT.(+)	INT.(-)
37"	72"	67.0	100.0	37"	72"	66.6	66.6	67.0	100.0
43"		67.0	100.0	43"		60.7	60.7	67.0	100.0
49"		67.0	99.5	49"		56.7	56.7	67.0	100.0
55"		67.0	88.6	55"		53.9	53.9	67.0	100.0
61"		67.0	79.9	61"		52.1	52.1	67.0	100.0
37"	78"	67.0	100.0	37"	78"	59.9	59.9	67.0	100.0
43"		67.0	96.6	43"		54.3	54.3	67.0	100.0
49"		67.0	84.8	49"		50.3	50.3	67.0	100.0
55"		67.0	75.5	55"		47.5	47.5	67.0	94.9
61"		67.0	68.1	61"		45.5	45.5	67.0	91.0
37"	84"	67.0	96.8	37"	84"	54.4	54.4	67.0	100.0
43"		67.0	83.3	43"		49.1	49.1	67.0	98.1
49"		67.0	73.1	49"		45.2	45.2	67.0	90.5
55"		65.1	65.1	55"		42.4	42.4	67.0	84.9
61"		58.7	58.7	61"		40.4	40.4	67.0	80.8
37"	90"	67.0	84.3	37"	90"	49.8	49.8	67.0	99.7
43"		67.0	72.5	43"		44.8	44.8	67.0	89.5
49"		63.7	63.7	49"		41.1	41.1	67.0	82.2
55"		56.7	56.7	55"		38.4	38.4	67.0	76.7
61"		51.1	51.1	61"		36.3	36.3	67.0	72.7
37"	96"	67.0	74.1	37"	96"	46.0	46.0	67.0	92.0
43"		63.8	63.8	43"		41.2	41.2	67.0	82.3
49"		56.0	56.0	49"		37.6	37.6	67.0	75.3
55"		49.8	49.8	55"		35.0	35.0	67.0	70.0
61"		44.9	44.9	61"		33.0	33.0	66.0	66.0
37"	102"	65.6	65.6	37"	102"	42.7	42.7	67.0	85.4
43"		56.5	56.5	43"		38.1	38.1	67.0	76.2
49"		49.6	49.6	49"		34.7	34.7	67.0	69.4
55"		44.2	44.2	55"		32.2	32.2	64.4	64.4
61"		39.8	39.8	61"		30.2	30.2	60.5	60.5

INSTRUCTIONS:

USE CHARTS AS FOLLOWS.

- STEP 1** DETERMINE DESIGN WIND PRESSURE REQUIREMENTS BASED ON WIND VELOCITY, BLDG. HEIGHT, WIND ZONE USING APPLICABLE ASCE 7 STANDARD.
- STEP 2** FOR FIXED WINDOW CAPACITY SEE SHEET 1.
- STEP 3** CHECK MULLION DESIGN LOAD CAPACITY FOR GIVEN WIDTH AND HEIGHT USING CHART ABOVE. THE CAPACITY SHOULD EXCEED THE DESIGN LOAD.
- STEP 4** USING CHART ABOVE SELECT ANCHOR OPTION WITH DESIGN LOAD CAPACITY MORE THAN DESIGN LOAD SPECIFIED IN STEP 1 ABOVE.
- STEP 5** THE LOWEST VALUE RESULTING FROM STEPS 2, 3 AND 4 THAT EXCEED THE DESIGN WIND PRESSURES DETERMINED THRU STEP 1 SHALL APPLY TO ENTIRE SYSTEM.



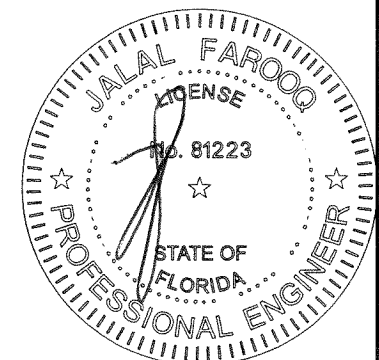
TYPICAL ELEVATIONS
SIDE BY SIDE WINDOWS
SIDE BY SIDE APPLIES TO TWO OR MORE WINDOWS

$$\text{WIDTH (W)} = \frac{W1 + W2}{2}$$

PRODUCT RENEWED
As complying with the Florida Building Code
NOA-No. **24-0613.02**
Expiration Date: **09/05/2029**
By: *Manuel Perez*
Miami-Dade Product Control

PRODUCT REVISED
As complying with the Florida Building Code
NOA-No. **23-1012.21**
Expiration Date: **09/05/2024**
By: *Manuel Perez*
Miami-Dade Product Control

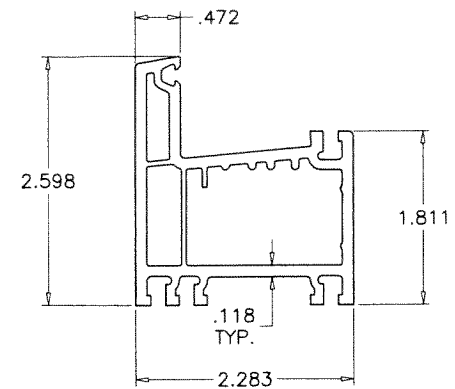
OCT 04 2023



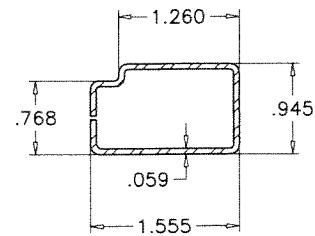
afC
AL-FAROOQ CORPORATION
ENGINEERS & PRODUCT DEVELOPMENT
9360 SUNSET DRIVE, SUITE 220
MIAMI, FLORIDA 33173
TEL. (305) 264-8100 FAX. (305) 262-6978
C.A.N. 3538

WHITE PVC FIXED WINDOW (S.M.I.)
Euro Windows, Inc.
Calle 16, Lote No. 21
Urb. Industrial Villa Prades
San Juan, PR 00924
Tel. (787) 722-2531 Fax. (787) 724-4093

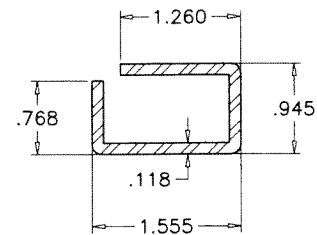
revisions:	no	date	by	description
	A	07.25.18		REV. PER RER COMMENTS
	B	09.26.23		UPDATED TO 2023 FBC
date:	08-28-17			
scale:	1/2" = 1"			
dr. by:	TARIQ			
chk. by:				
drawing no.	W17-77			
sheet	4 of 5			



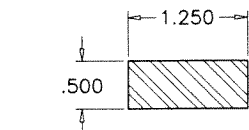
① WINDOW FRAME



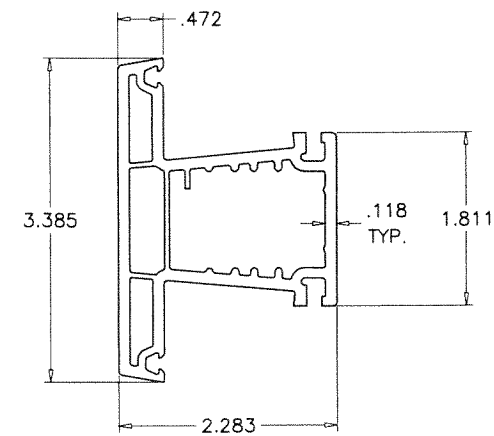
⑤ FRAME REINF.



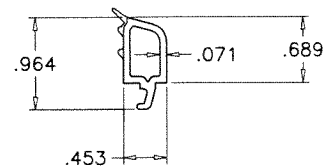
⑥ IMPOST/MULLION REINF.



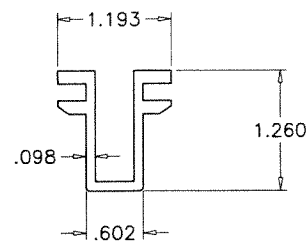
⑥A IMPOST/MULLION REINF.



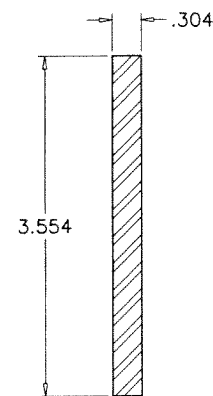
② IMPOST



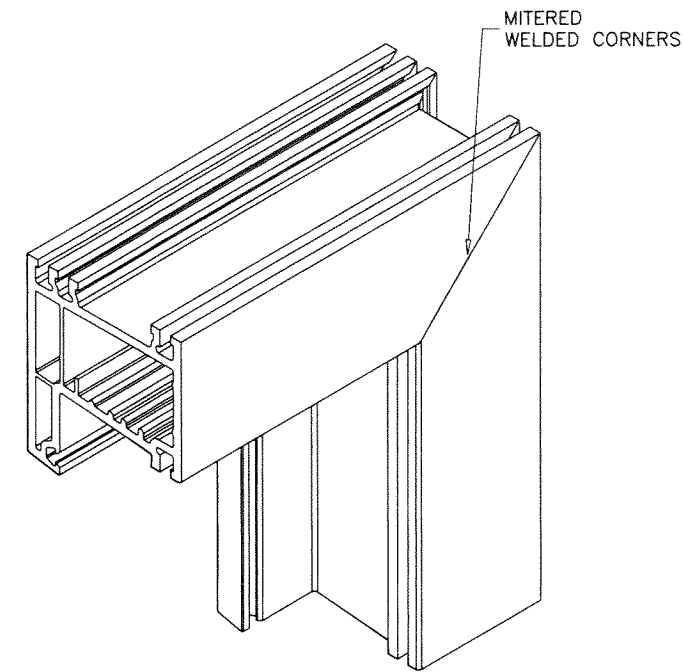
③ GLAZING BEAD



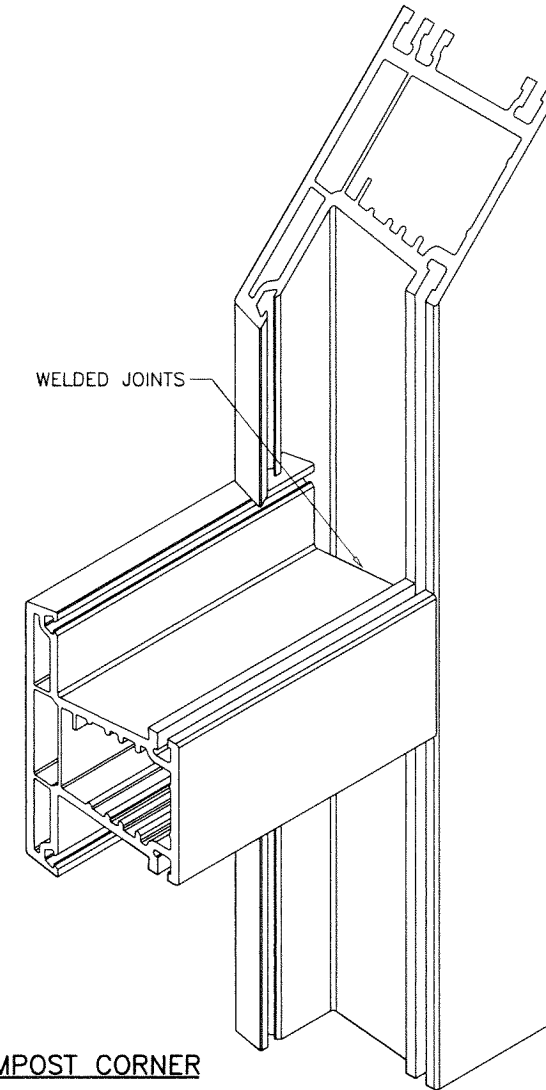
④ MULLION COVER



⑦ MULLION



WINDOW CORNER

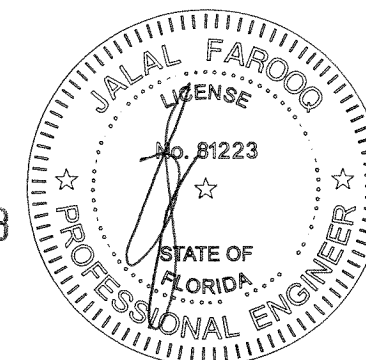


IMPOST CORNER

PRODUCT RENEWED
As complying with the Florida Building Code
NOA-No. 24-0613.02
Expiration Date: 09/05/2029
By: *Manuel Perez*
Miami-Dade Product Control

PRODUCT REVISED
As complying with the Florida Building Code
NOA-No. 23-1012.21
Expiration Date: 09/05/2024
By: *Manuel Perez*
Miami-Dade Product Control

OCT 04 2023



af c
AL-FAROOQ CORPORATION
ENGINEERS & PRODUCT DEVELOPMENT
9360 SUNSET DRIVE, SUITE 220
MIAMI, FLORIDA 33173 (C.A.N. 3538)
TEL. (305) 264-8100 FAX. (305) 262-6978
COMP-ANL\W17-77EW

WHITE PVC FIXED WINDOW (S.M.I.)
Euro Windows, Inc.
Calle 16, Lote No. 21
Urb. Industrial Villa Prades
San Juan, PR 00924
Tel. (787) 722-2531 Fax. (787) 724-4093

no	date	description
A	07.25.18	REV. PER RER COMMENTS
B	09.26.23	UPDATED TO 2023 FBC

date: 08-28-17
scale: 1/2" = 1"
dr. by: TARIQ
chk. by:

drawing no.
W17-77
sheet 5 of 5