



DEPARTMENT OF REGULATORY AND ECONOMIC RESOURCES (RER)  
BOARD AND CODE ADMINISTRATION DIVISION

MIAMI-DADE COUNTY  
PRODUCT CONTROL SECTION  
11805 SW 26 Street, Room 208  
Miami, Florida 33175-2474  
T (786) 315-2590 F (786) 315-2599

[www.miamidade.gov/economy](http://www.miamidade.gov/economy)

## NOTICE OF ACCEPTANCE (NOA)

**Eclipse Shading Systems**  
1760 Route 211 East  
Middletown, New York 10941

### SCOPE:

This NOA is being issued under the applicable rules and regulations governing the use of construction materials. The documentation submitted has been reviewed and accepted by Miami-Dade County RER- Product Control Section to be used in Miami Dade County and other areas where allowed by the Authority Having Jurisdiction (AHJ).

This NOA shall not be valid after the expiration date stated below. The Miami-Dade County Product Control Section (In Miami Dade County) and/or the AHJ (in areas other than Miami Dade County) reserve the right to have this product or material tested for quality assurance purposes. If this product or material fails to perform in the accepted manner, the manufacturer will incur the expense of such testing and the AHJ may immediately revoke, modify, or suspend the use of such product or material within their jurisdiction. RER reserves the right to revoke this acceptance if it is determined by Miami-Dade County Product Control Section that this product or material fails to meet the requirements of the applicable building code.

This product is approved as described herein and has been designed to comply with the High Velocity Hurricane Zone of the Florida Building Code.

### DESCRIPTION: Eclipse Premier and Total Eclipse Retractable Awning

**APPROVAL DOCUMENT:** Drawing #TECLNOA, titled "Eclipse Shading Systems", pages 1 through 3 of 3, dated 11/11/24 and Drawing #ECLPNOA, titled "Eclipse Shading Systems", pages 1 through 3 of 3, dated 11/11/24, prepared by Wolters Engineering, signed and sealed by Scott Wolters, P.E., on 11/11/2024, bearing the Miami-Dade County Product Control Revision stamp with the Notice of Acceptance number and the expiration date by the Miami-Dade County Product Control Section.

### MISSILE IMPACT RATING: None

**LABELING:** Each awning shall bear a permanent label with the manufacturer's name or logo, city, state and the following statement: "Miami-Dade County Product Control Approved", unless otherwise noted herein.

**RENEWAL** of this NOA shall be considered after a renewal application has been filed and there has been no change in the applicable building code negatively affecting the performance of this product.

**TERMINATION** of this NOA will occur after the expiration date or if there has been a revision or change in the materials, use, and/or manufacture of the product or process. Misuse of this NOA as an endorsement of any product, for sales, advertising or any other purposes shall automatically terminate this NOA. Failure to comply with any section of this NOA shall be cause for termination and removal of NOA.

**ADVERTISEMENT:** The NOA number preceded by the words Miami-Dade County, Florida, and followed by the expiration date may be displayed in advertising literature. If any portion of the NOA is displayed, then it shall be done in its entirety.

**INSPECTION:** A copy of this entire NOA shall be provided to the user by the manufacturer or its distributors and shall be available for inspection at the job site at the request of the Building Official.

This NOA **revises & renews** NOA #21-1102.07 and consists of this page 1, evidence submitted pages E-1 and E-2 as well as approval document mentioned above.

The submitted documentation was reviewed by **Helmy A. Makar, P.E., M.S.**



*Helmy A. Makar*  
12/26/24

NOA No. 24-1011.06  
Expiration Date: 03/12/2030  
Approval Date: 12/26/2024

**Eclipse Shading Systems**

**NOTICE OF ACCEPTANCE: EVIDENCE SUBMITTED**

**1. EVIDENCE SUBMITTED UNDER PREVIOUS APPROVAL #20-0124.02**

**A. DRAWINGS**

1. *Drawing #TECLNOA, titled "Eclipse Shading Systems", pages 1 through 3 of 3, dated 01/20/20 and Drawing #ECLPNOA, titled "Eclipse Shading Systems", pages 1 through 3 of 3, dated 01/17/20, prepared by Wolters Engineering, signed and sealed by Scott Wolters, P.E., on 01/27/2020.*

**B. TESTS**

1. *Test Report # J9929.01-450-18, per Custom Dry Dynamic Wind Test, prepared by Intertek, dated 11/08/19, signed and sealed by Vinu J. Abraham, P.E.*

**C. CALCULATIONS**

1. *Calculations titled "Eclipse Premier Series Sunshade System", prepared by Wolters Engineering, 7 pages, dated 01/27/20, signed/sealed by Scott Wolters, P.E., on 01/27/20.*
2. *Calculations titled "Total Eclipse Series Sunshade System", prepared by Wolters Engineering, 7 pages, dated 01/27/20, signed/sealed by Scott Wolters, P.E., on 01/27/20.*

**D. QUALITY ASSURANCE**

1. *By Miami-Dade County Department of Regulatory and Economic Resources.*

**E. MATERIAL CERTIFICATIONS**

1. *None.*

**F. STATEMENTS**

1. *FBC, 2017 Edition compliance letter, dated 01/27/20 issued by Wolters Engineering, signed and sealed by Scott Wolters, P.E.*

**2. EVIDENCE SUBMITTED UNDER PREVIOUS APPROVAL #21-1102.07**

**A. DRAWINGS**

1. *Drawing #TECLNOA, titled "Eclipse Shading Systems", pages 1 through 3 of 3, dated 01/20/20 and Drawing #ECLPNOA, titled "Eclipse Shading Systems", pages 1 through 3 of 3, dated 01/17/20, prepared by Wolters Engineering, signed and sealed by Scott Wolters, P.E., on 10/07/2021.*

**B. TESTS**

1. *None.*

**C. CALCULATIONS**

1. *None.*

**D. QUALITY ASSURANCE**

1. *By Miami-Dade County Department of Regulatory and Economic Resources.*



Helmy A. Makar, P.E., M.S.  
Product Control Section Supervisor  
NOA No. 24-1011.06  
Expiration Date: 03/12/2030  
Approval Date: 12/26/2024

**Eclipse Shading Systems**

**NOTICE OF ACCEPTANCE: EVIDENCE SUBMITTED**

**E. MATERIAL CERTIFICATIONS**

1. *None.*

**F. STATEMENTS**

1. *FBC, 2020 Edition compliance letter, dated 09/21/21 issued by Wolters Engineering, signed and sealed by Scott Wolters, P.E.*

**3. NEW EVIDENCE SUBMITTED**

**A. DRAWINGS**

1. *Drawing #TECLNOA, titled "Eclipse Shading Systems", pages 1 through 3 of 3, dated 11/11/24 and Drawing #ECLPNOA, titled "Eclipse Shading Systems", pages 1 through 3 of 3, dated 11/11/24, prepared by Wolters Engineering, signed and sealed by Scott Wolters, P.E., on 11/11/2024.*

**B. TESTS**

1. *None.*

**C. CALCULATIONS**

1. *None.*

**D. QUALITY ASSURANCE**


1. *By Miami-Dade County Department of Regulatory and Economic Resources.*

**E. MATERIAL CERTIFICATIONS**

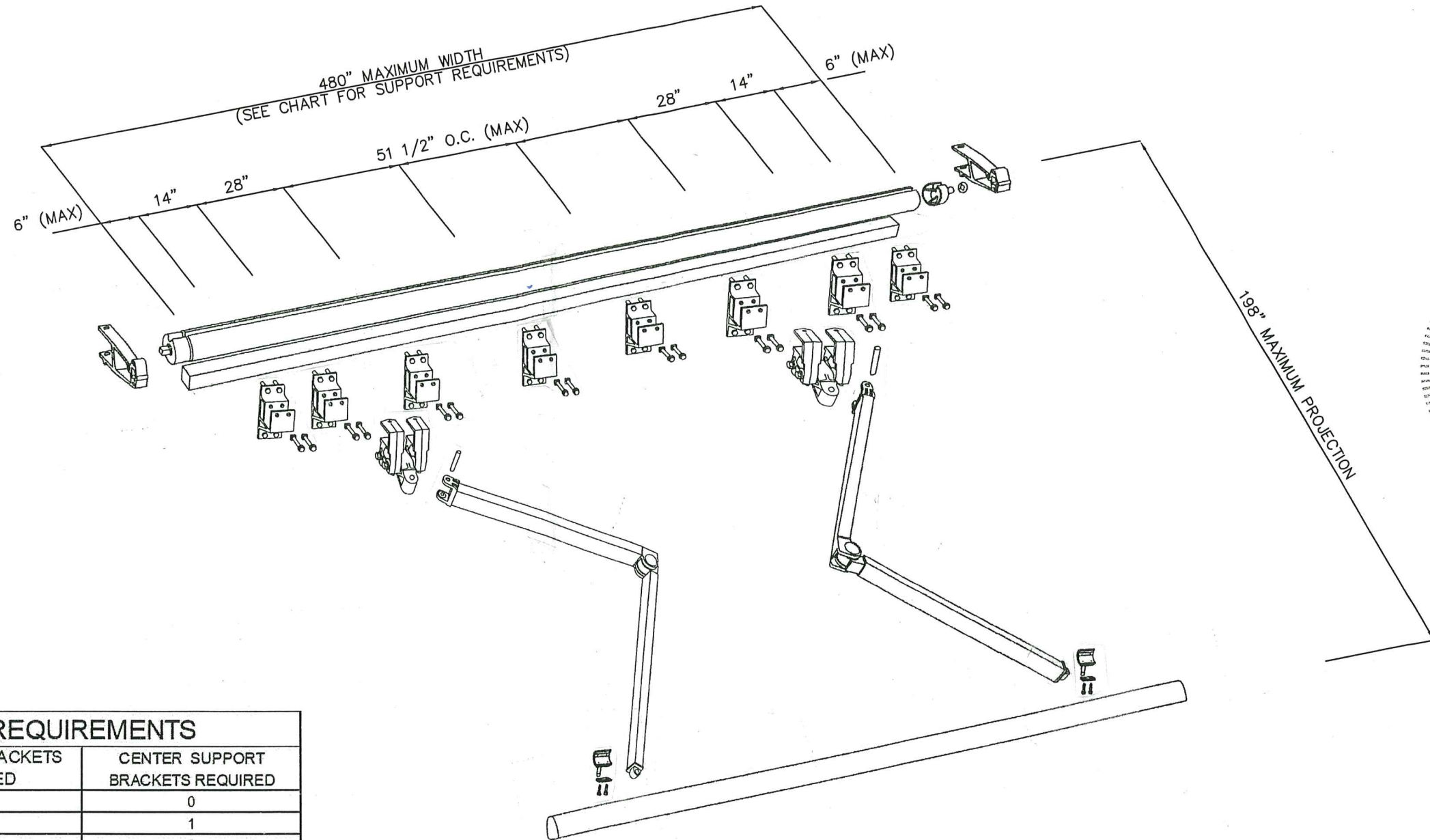
1. *None.*

**F. STATEMENTS**

1. *FBC, 2023 Edition compliance letter, dated 11/11/24 issued by Wolters Engineering, signed and sealed by Scott Wolters, P.E.*

  
\_\_\_\_\_  
Helmy A. Makar, P.E., M.S.  
Product Control Section Supervisor  
NOA No. 24-1011.06  
Expiration Date: 03/12/2030  
Approval Date: 12/26/2024

# TOTAL ECLIPSE SERIES SUNSHADE SYSTEM:



## AWNING FRAME SUPPORT REQUIREMENTS

AWNING WIDTH	RETRACTABLE SUPPORT ARMS REQUIRED	MOUNTING BRACKETS REQUIRED	CENTER SUPPORT BRACKETS REQUIRED
UPTO 17 FT	2	6	0
UPTO 22 FT	2	8	1
UPTO 26 FT	3	9	2
UPTO 30 FT	3	10	2
UPTO 33 FT	3	10	2
UPTO 35 FT	4	11	3
UPTO 39 FT	4	12	3
UPTO 40 FT	4	13	3

### GENERAL NOTES:

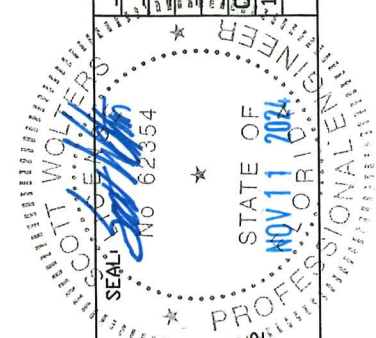
1. THIS SYSTEM HAS BEEN DESIGNED TO MEET THE REQUIREMENTS OF THE 8TH EDITION (2023) FLORIDA BUILDING CODE. THIS SYSTEM IS NOT A PART OF THE BUILDING ENVELOPE, IMPACT RESISTANCE IS NOT REQUIRED.
2. THE AWNING MUST BE FULLY RETRACTED FOR ANY WIND EVENT WITH WINDSPEEDS EXCEEDING 47 MPH.
3. DESIGN LOADS MUST BE CALCULATED BY A PROFESSIONAL ENGINEER OR ARCHITECT FOR EACH PROJECT. THE PROJECT PRESSURE CANNOT EXCEED THE DESIGN PRESSURE LISTED ABOVE.
4. ALL ANCHORS SECURING THE SYSTEM TO PRESSURE TREATED WOOD SHALL BE CAPABLE OF RESISTING CORROSION CAUSED BY THE CHEMICALS IN THE WOOD.
5. MATERIALS INCLUDING BUT NOT LIMITED TO STEEL/METAL SCREWS THAT COME INTO CONTACT WITH OTHER DISSIMILAR MATERIALS SHALL MEET THE REQUIREMENTS OF THE FLORIDA BUILDING CODE, SECTION 2003.8.4.
6. NO INCREASE IN ALLOWABLE STRESS HAS BEEN USED IN THE CERTIFICATION OF THIS PRODUCT. Cd=1.6 WAS USED FOR WOOD SCREWS ONLY.

STANDARD ELEVATION  
(FABRIC NOT SHOWN)

MAXIMUM DESIGN PRESSURE	
OPEN:	5.9 PSF (47 MPH WINDSPEED)
CLOSED:	49.5 PSF (175 MPH WINDSPEED)

AWNING MUST BE RETRACTED TO CLOSED POSITION FOR ANY WIND EVENT WITH WINDSPEEDS EXCEEDING 47 MPH.

PRODUCT REVISED  
as complying with the Florida:  
Building Code  
Acceptance No 24-1011.06  
Expiration Date 03/12/2030  
By *Scott Wolters*  
Miami Date Product Control



SCOTT WOLTERS  
FL PE# 62354  
WOLTERS ENGINEERING  
(COA# 27194)  
15211 97TH ROAD N  
WEST PALM BEACH, FL 33411  
(561) 225-1982

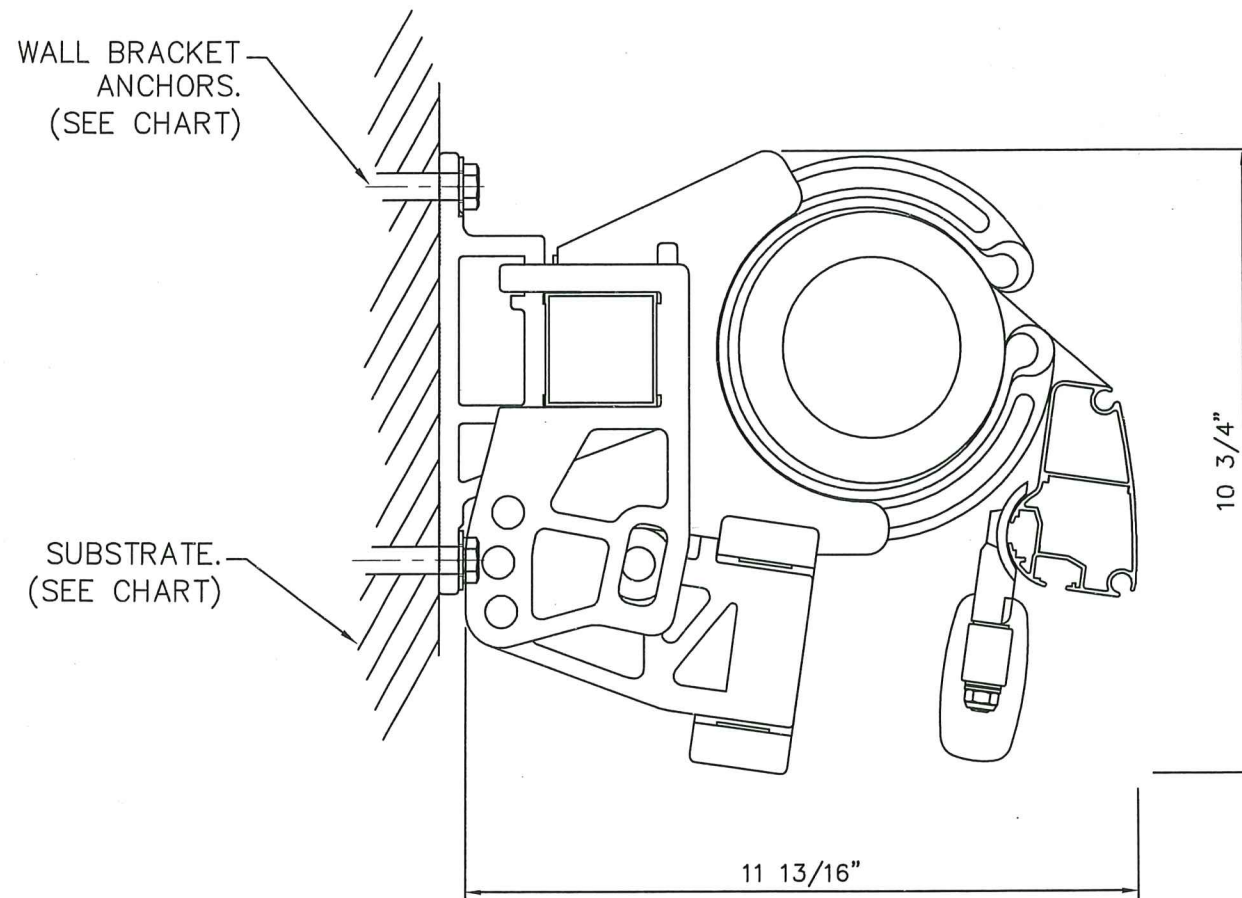
## ECLIPSE SHADING SYSTEMS

www.eclipseawning.com  
EMAIL: lbedosky@eclipseawning.com

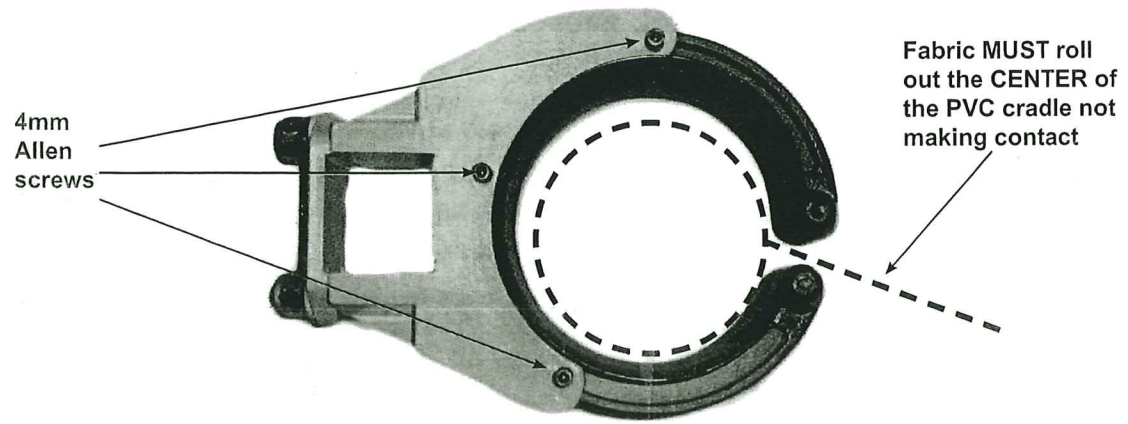
1760 ROUTE 211 EAST  
MIDDLETOWN, NY 10941  
PH: (845) 692-7070

REV#	DATE	PRINTS ISSUED FOR
1	11/11/24	CODE UPDATE
2	1/20/20	1ST SUBMITTAL

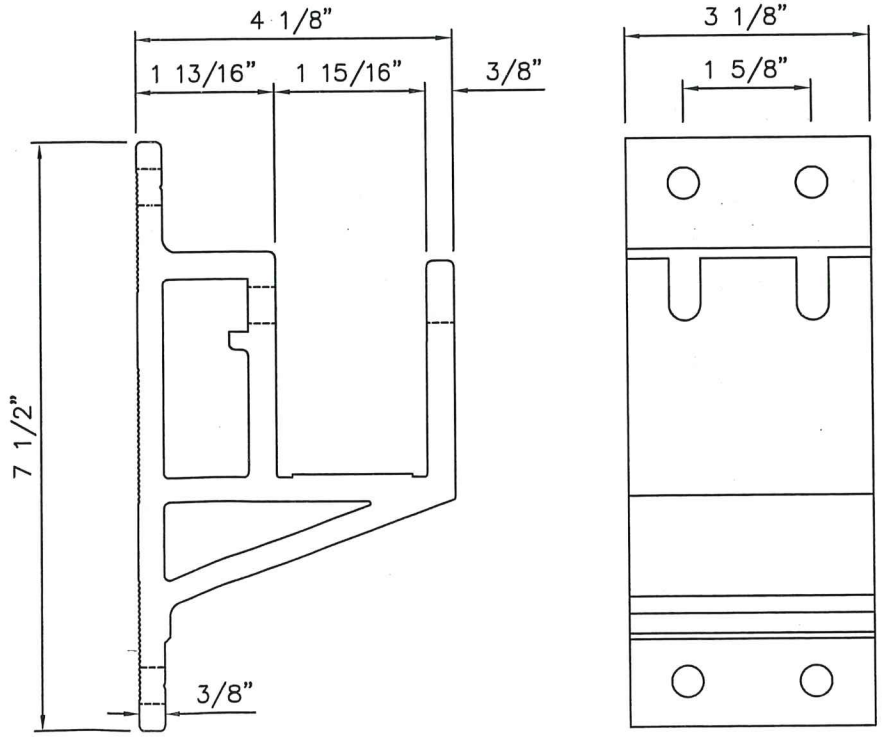
# TOTAL ECLIPSE SERIES SUNSHADE SYSTEM:



SUBSTRATE	FASTENER TYPE (4) PER CLIP	EMBEDMENT (MIN)	EDGE DISTANCE (MIN)
WOOD (2x, S.G. = 0.5 MIN)	3/8" DIA. CARRIAGE BOLT, NUT AND WASHERS (SAE GR. 2 MIN)	3"	1 1/4"
CONCRETE (3000 PSI MIN)	3/8" DIA. POWERS WEDGE BOLT	3"	4 1/2"
STEEL (36 Ksi, 1/4" MIN)	3/8" DIA. ELCO TAP-FLEX OR F-TYPE SELF TAPPING SCREW (GR. 5 MIN)	FULL	3/4"

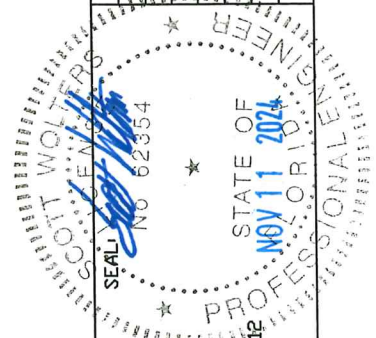


CENTER SUPPORT BRACKET  
(6063-T6 EXTRUDED ALUMINUM)



WALL BRACKET  
(6063-T6 EXTRUDED ALUMINUM)

**PRODUCT REVISED**  
 as complying with the Florida  
 Building Code  
 Acceptance No. 24-1011.66  
 Expiration Date 03/12/2036  
 By *Helga A. Walter*  
 Miami Dade Product Control



SCOTT WOLTERS  
 FL PE# 62354  
 WOLTERS ENGINEERING  
 (COA# 27194)  
 15211 97TH ROAD N  
 WEST PALM BEACH, FL 33412  
 (561) 225-1982

## ECLIPSE SHADING SYSTEMS

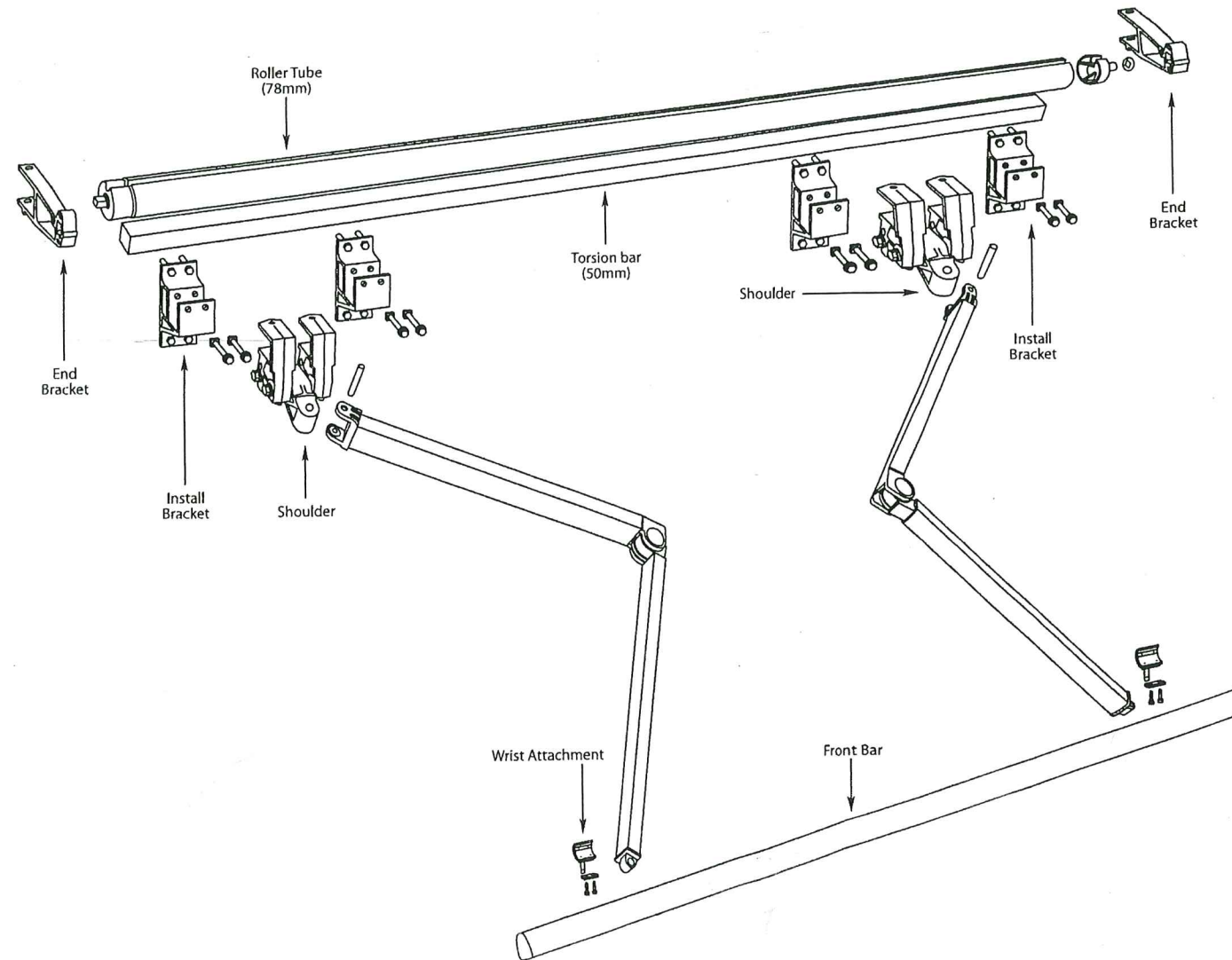
1760 ROUTE 211 EAST  
 MIDDLETOWN, NY 10941  
 PH: (845) 692-7070  
 www.eclipseawning.com  
 EMAIL: lbedosky@eclipseawning.com

REV.#	DATE
1	1/20/20

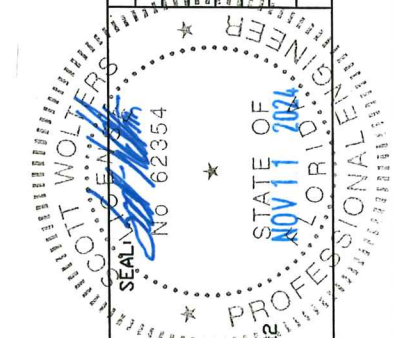
1ST SUBMITTAL  
 PRINTS ISSUED FOR

# TOTAL ECLIPSE SERIES SUNSHADE SYSTEM:

PARTS LIST	
PART	DESCRIPTION
AWNING	8.8 OZ PER SQYD 100% WOVEN ACRYLIC SUNBRELLA OUTDOOR SHADE FABRIC.
MOUNTING BRACKET	EXTRUDED ALUMINUM (6063-T6), WITH M6x65 SS FASTENER.
TORSION BAR	1 31/32" x 1 31/32" x 1/8" EXTRUDED ALUMINUM TUBE (6063-T6)
ROLLER TUBE	3 1/16" DIA. x 3/64" GALVANIZED WELDED STEEL TUBE.
ROLLER TUBE END BRACKET	EXTRUDED ALUMINUM (6063-T6), WITH M8x80 SS FASTENER.
ARM SHOULDER	EXTRUDED ALUMINUM (6063-T6) WITH M10x90 SS FASTENER.
ARM	EXTRUDEED ALUMINUM (6063-T6) EPOXIED TO CAST ALUM JOINTS WITH DUAL INTERNAL HIGH-CARBON STEEL ARM SPRING.
WRIST BRACKET	CAST ALUMINUM (6061-T6) WITH M6x22 SS FASTENERS.
FRONT BAR	EXTRUDED ALUMINUM (6063-T6) POWDER COATED
CENTER SUPPORT	EXTRUDED ALUMINUM (6063-T6) BRACKET AND ABS ADJUSTABLE SUPPORT RING, WITH M4x10 SS SET SCREWS AND M6x70 SS FASTENERS.



PRODUCT REVISED  
 as complying with the Florida  
 Building Code  
 Acceptance No. 24-1011.06  
 Expiration Date 03/12/2030  
 By *Halcyon A. Walter*  
 Miami Dade Product Control



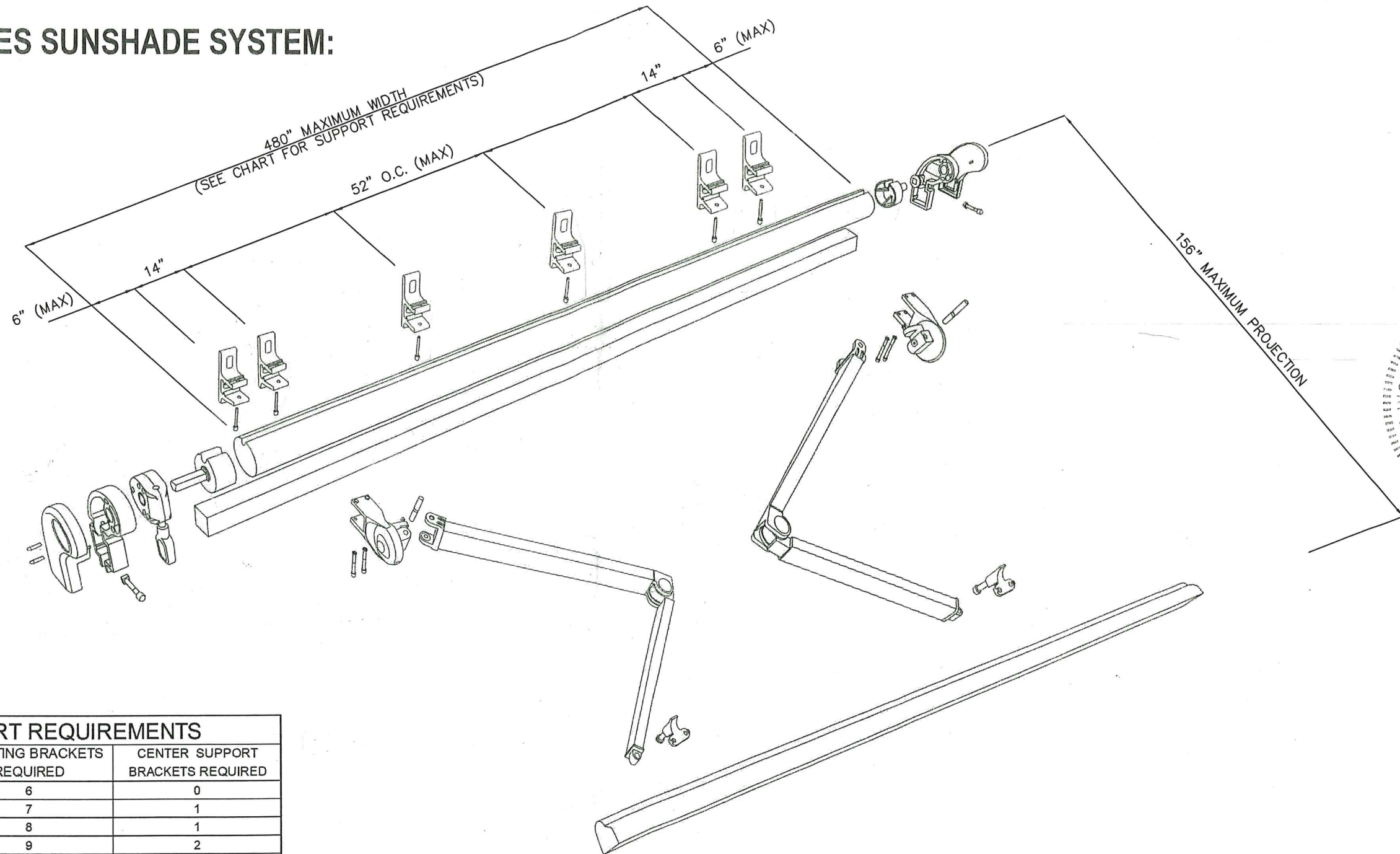
SCOTT WALTERS  
 FL PE# 62354  
 WALTERS ENGINEERING  
 (CDA# 27194)  
 15211 97TH ROAD N  
 WEST PALM BEACH, FL 33412  
 (561) 225-1982

ECLIPSE SHADING SYSTEMS  
 www.eclipseawning.com  
 EMAIL: lbedosky@eclipseawning.com

1760 ROUTE 211 EAST  
 MIDDLETOWN, NY 10941  
 PH: (845) 692-7070

REV.#	DATE
1	1/20/20

# ECLIPSE PREMIER SERIES SUNSHADE SYSTEM:



STANDARD ELEVATION  
(FABRIC NOT SHOWN)

### AWNING FRAME SUPPORT REQUIREMENTS

AWNING WIDTH	RETRACTABLE SUPPORT ARMS REQUIRED	MOUNTING BRACKETS REQUIRED	CENTER SUPPORT BRACKETS REQUIRED
UP TO 17 FT	2	6	0
UP TO 21 FT	3	7	1
UP TO 26 FT	3	8	1
UP TO 31 FT	4	9	2
UP TO 34 FT	4	10	2
UP TO 38 FT	5	11	3
UP TO 40 FT	5	12	3

#### GENERAL NOTES:

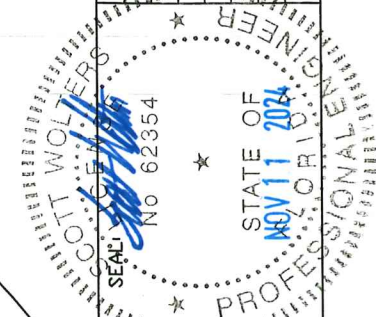
1. THIS SYSTEM HAS BEEN DESIGNED TO MEET THE REQUIREMENTS OF THE 8TH EDITION (2023) FLORIDA BUILDING CODE. THIS SYSTEM IS NOT A PART OF THE BUILDING ENVELOPE, IMPACT RESISTANCE IS NOT REQUIRED.
2. THE AWNING MUST BE FULLY RETRACTED FOR ANY WIND EVENT WITH WINDSPEEDS EXCEEDING 47 MPH.
3. DESIGN LOADS MUST BE CALCULATED BY A PROFESSIONAL ENGINEER OR ARCHITECT FOR EACH PROJECT. THE PROJECT PRESSURE CANNOT EXCEED THE DESIGN PRESSURE LISTED ABOVE.
4. ALL ANCHORS SECURING THE SYSTEM TO PRESSURE TREATED WOOD SHALL BE CAPABLE OF RESISTING CORROSION CAUSED BY THE CHEMICALS IN THE WOOD.
5. MATERIALS INCLUDING BUT NOT LIMITED TO STEEL/METAL SCREWS THAT COME INTO CONTACT WITH OTHER DISSIMILAR MATERIALS SHALL MEET THE REQUIREMENTS OF THE FLORIDA BUILDING CODE, SECTION 2003.8.4.
6. NO INCREASE IN ALLOWABLE STRESS HAS BEEN USED IN THE CERTIFICATION OF THIS PRODUCT. Cd=1.6 WAS USED FOR WOOD SCREWS ONLY.

MAXIMUM DESIGN PRESSURE	
OPEN:	5.9 PSF (47 MPH WINDSPEED)
CLOSED:	49.5 PSF (175 MPH WINDSPEED)

AWNING MUST BE RETRACTED TO CLOSED POSITION FOR ANY WIND EVENT WITH WINDSPEEDS EXCEEDING 47 MPH.

PRODUCT REVISED  
as complying with the Florida  
Building Code  
Acceptance No. 24-1011-04  
Expiration Date 03/12/2030  
By *Hugh A. Walters*  
Miami Dade Product Control

REV.#	DATE	ISSUED FOR
1	11/11/24	CODE UPDATE
2	1/17/20	LIST SUBMITTAL

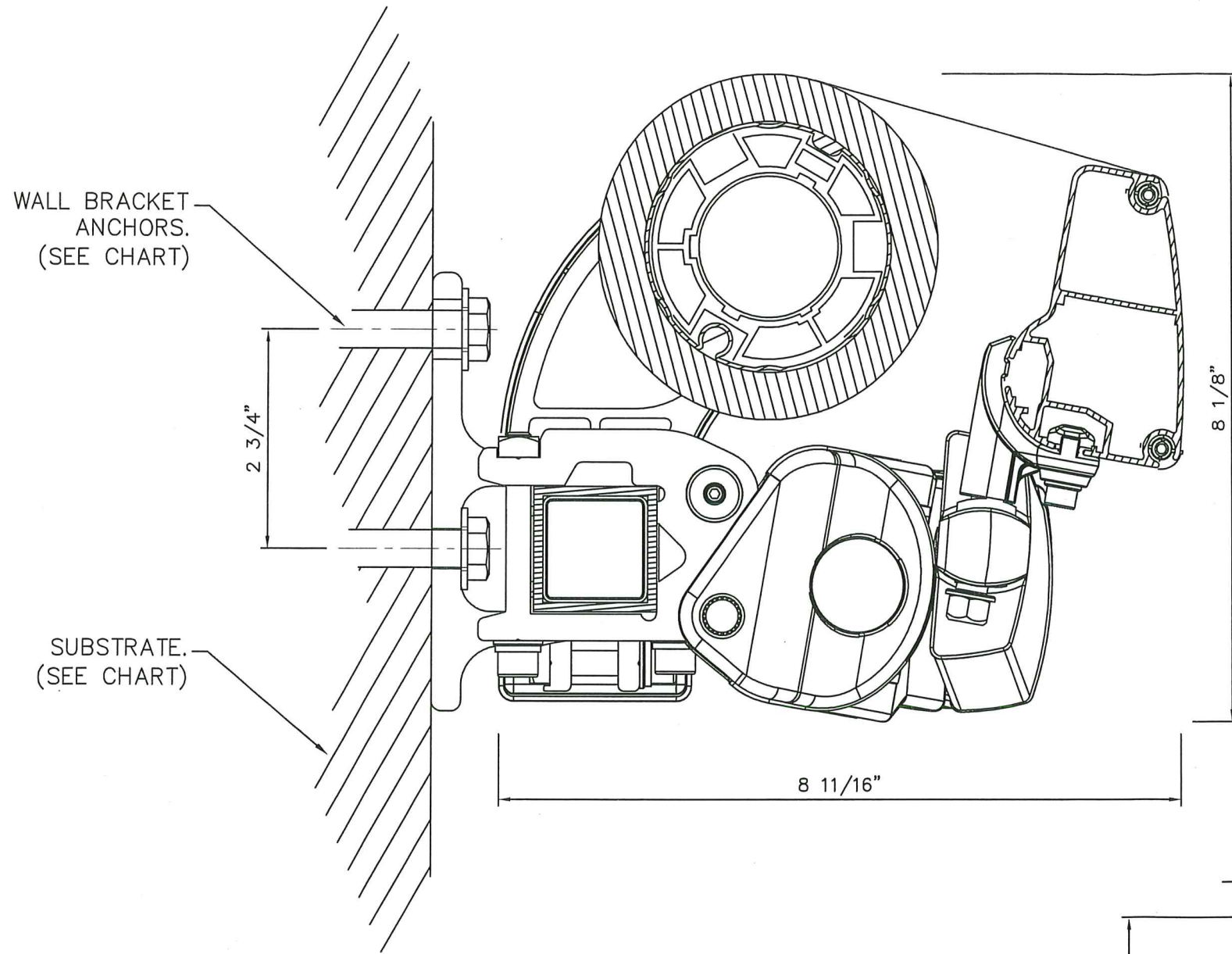


SCOTT WALTERS  
FL PE# 62354  
WALTERS ENGINEERING  
(CDA# 27194)  
15211 97TH ROAD N  
WEST PALM BEACH, FL 33412  
(561) 225-1982

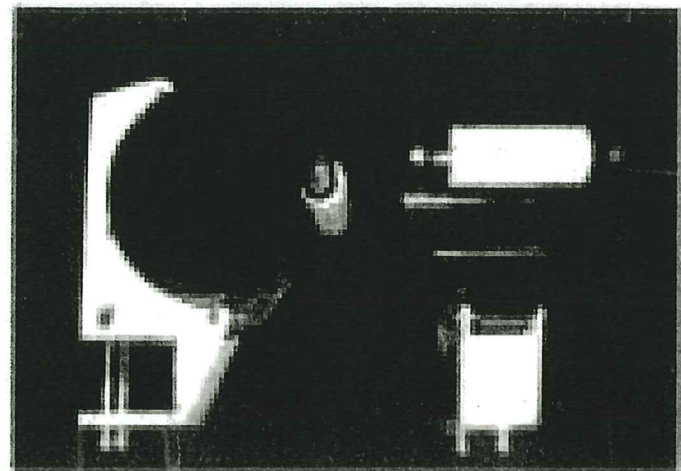
### ECLIPSE SHADING SYSTEMS

1760 ROUTE 211 EAST  
MIDDLETOWN, NY 10941  
PH: (845) 692-7070  
www.eclipseawning.com  
EMAIL: lbedosky@eclipseawning.com

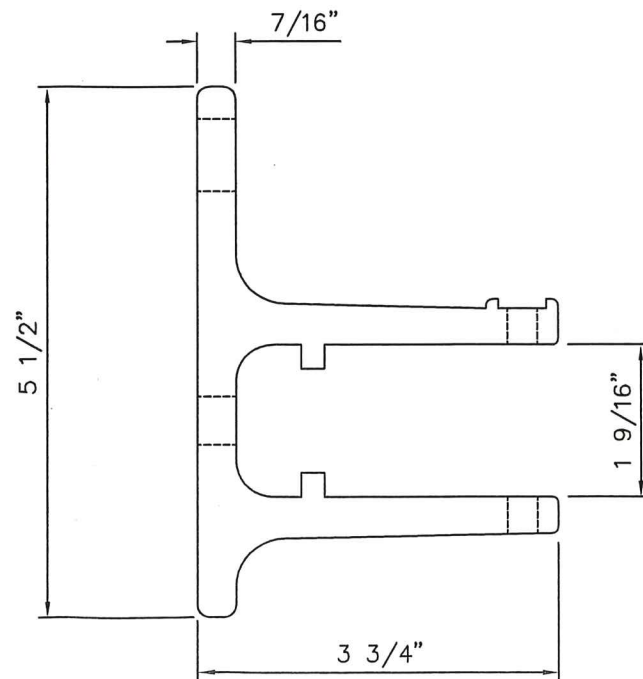
# ECLIPSE PREMIER SERIES SUNSHADE SYSTEM:



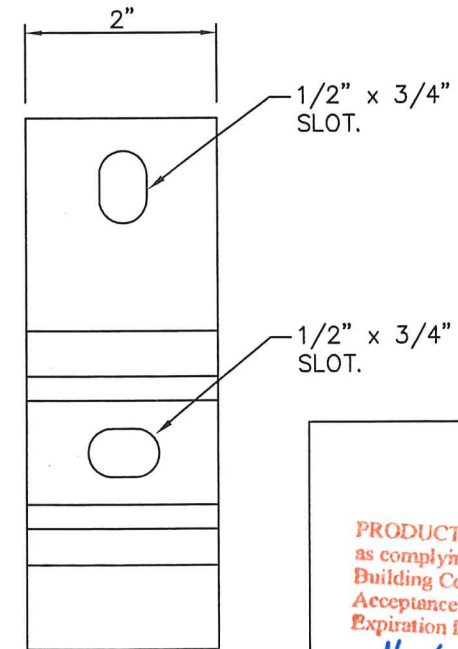
WALL BRACKET ANCHOR CHART			
SUBSTRATE	FASTENER TYPE (2) PER CLIP	EMBEDMENT (MIN)	EDGE DISTANCE (MIN)
WOOD (2x, S.G. = 0.5 MIN)	3/8" DIA. CARRIAGE BOLT, NUT AND WASHERS (SAE GR. 2 MIN)	3"	1 1/4"
CONCRETE (3000 PSI MIN)	3/8" DIA. POWERS WEDGE BOLT	3"	4 1/2"
STEEL (36 Ksi, 1/4" MIN)	3/8" DIA. ELCO TAP-FLEX OR F-TYPE SELF TAPPING SCREW (GR. 5 MIN)	FULL	3/4"



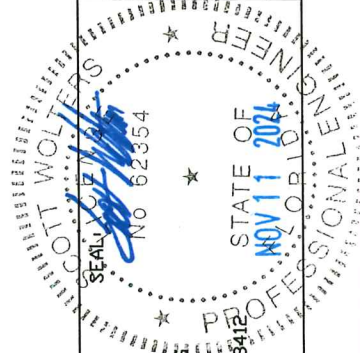
CENTER SUPPORT BRACKET  
(6063-T6 EXTRUDED ALUMINUM)



WALL BRACKET  
(6063-T6 EXTRUDED ALUMINUM)



PRODUCT REVISED  
as complying with the Florida  
Building Code  
Acceptance No. 24-1011-06  
Expiration Date 03/12/2030  
By: *Heidi A. Walker*  
Miami Trade Product Contr.!



SCOTT WOLTERS  
FL PE# 62354  
WOLTERS ENGINEERING  
(COA# 27194)  
15211 97TH ROAD N  
WEST PALM BEACH, FL 33412  
(561) 225-1982

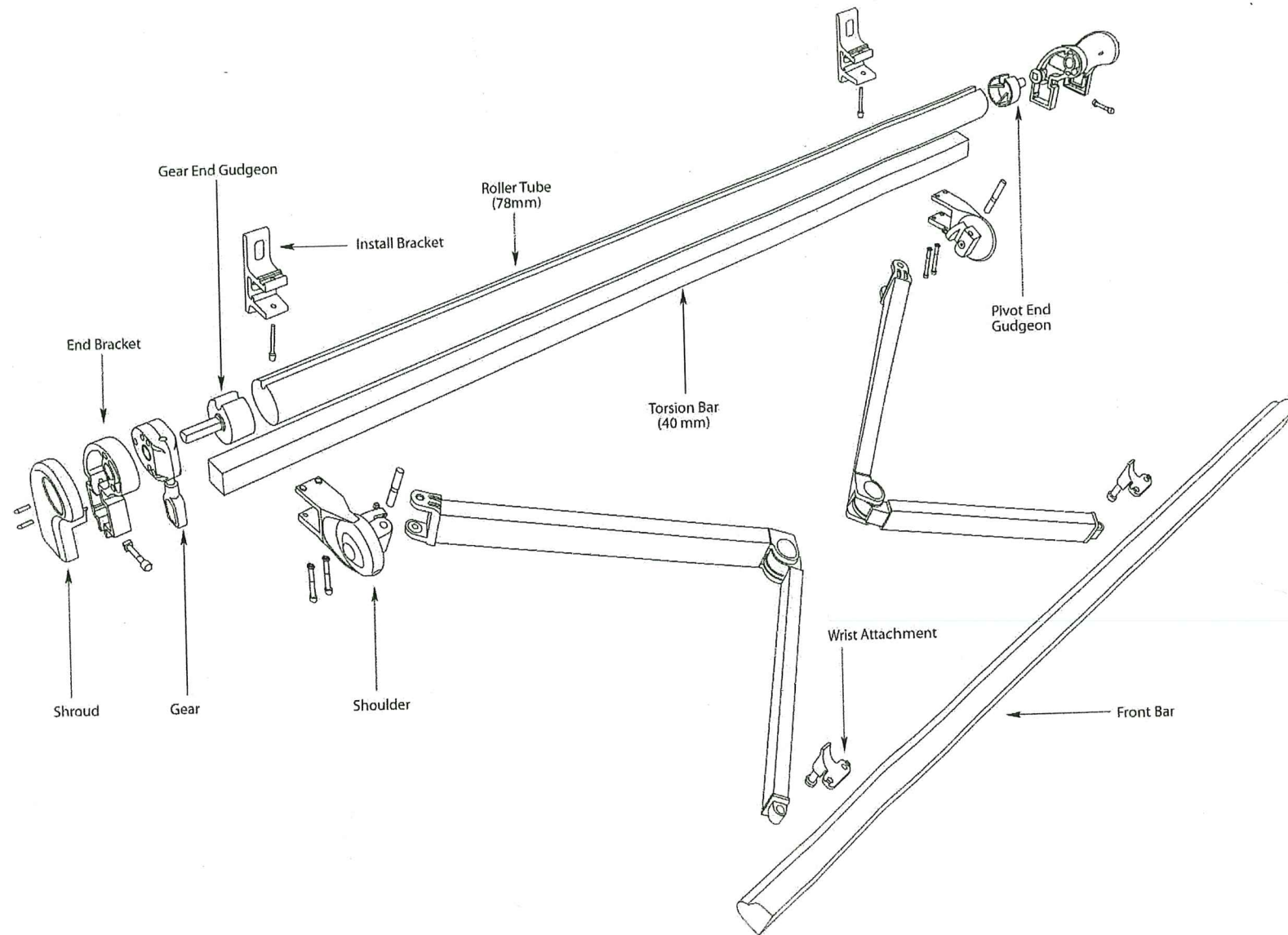
## ECLIPSE SHADING SYSTEMS

1760 ROUTE 211 EAST  
MIDDLETOWN, NY 10941  
PH: (845) 692-7070  
www.eclipseawning.com  
EMAIL: lbedosky@eclipseawning.com

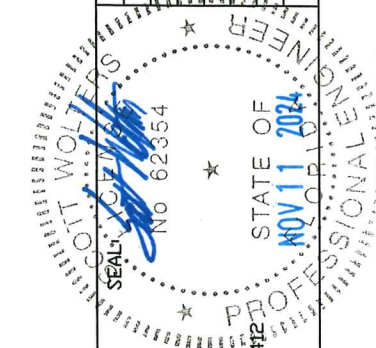


# ECLIPSE PREMIER SERIES SUNSHADE SYSTEM:

PARTS LIST	
PART	DESCRIPTION
AWNING	8.8 OZ PER SQYD 100% WOVEN ACRYLIC SUNBRELLA OUTDOOR SHADE FABRIC.
MOUNTING BRACKET	EXTRUDED ALUMINUM (6063-T6), WITH M6x65 SS FASTENER.
TORSION BAR	1 9/16" x 1 9/16" x 3/16 EXTRUDED ALUMINUM TUBE (6063-T6)
ROLLER TUBE	3 1/16" DIA x 3/64" GALVANIZED WELDED STEEL TUBE.
ROLLER TUBE END BRACKET	EXTRUDED ALUMINUM (6063-T6), WITH M6x65 SS FASTENER.
ARM SHOULDER	EXTRUDED ALUMINUM (6063-T6) WITH M8x70 SS FASTENER.
ARM	EXTRUDEED ALUMINUM (6063-T6) EPOXIED TO CAST ALUM JOINTS WITH INTERNAL HIGH-CARBON STEEL ARM SPRING.
WRIST BRACKET	CAST ALUMINUM (6061-T6) WITH M4x20 SS FASTENERS.
FRONT BAR	EXTRUDED ALUMINUM (6063-T6) POWDER COATED
CENTER SUPPORT	EXTRUDED ALUMINUM (6063-T6) BRACKET AND ABS ADJUSTABLE SUPPORT RING, WITH M4x10 SS SET SCREWS AND M6x70 SS FASTENERS.



PRODUCT REVISED  
 as complying with the Florida  
 Building Code  
 Acceptance No. 24011,06  
 Expiration Date 03/12/2030  
 By *Hedy A. Miller*  
 Miami Date Product Control



SCOTT WALTERS  
 FL PE# 62354  
 WALTERS ENGINEERING  
 (CDA# 27194)  
 15211 97TH ROAD N  
 WEST PALM BEACH, FL 33412  
 (561) 225-1982

ECLIPSE SHADING SYSTEMS  
 www.eclipseawning.com  
 EMAIL: ibedosky@eclipseawning.com

1760 ROUTE 211 EAST  
 MIDDLETOWN, NY 10941  
 PH: (845) 692-7070

REV.#	DATE
1	1/17/20
2	
3	
4	
5	
6	
7	
8	
9	
10	
11	
12	
13	
14	
15	
16	
17	
18	
19	
20	
21	
22	
23	
24	
25	
26	
27	
28	
29	
30	
31	
32	
33	
34	
35	
36	
37	
38	
39	
40	
41	
42	
43	
44	
45	
46	
47	
48	
49	
50	
51	
52	
53	
54	
55	
56	
57	
58	
59	
60	
61	
62	
63	
64	
65	
66	
67	
68	
69	
70	
71	
72	
73	
74	
75	
76	
77	
78	
79	
80	
81	
82	
83	
84	
85	
86	
87	
88	
89	
90	
91	
92	
93	
94	
95	
96	
97	
98	
99	
100	