



MIAMI-DADE COUNTY
PRODUCT CONTROL SECTION

11805 SW 26 Street, Room 208
Miami, Florida 33175-2474
T (786) 315-2590 F (786) 315-2599

DEPARTMENT OF REGULATORY AND ECONOMIC RESOURCES (RER)
BOARD AND CODE ADMINISTRATION DIVISION

www.miamidade.gov/building

NOTICE OF ACCEPTANCE (NOA)

USG Corporation
550 West Adams Street
Chicago, IL 60661

SCOPE: This NOA is being issued under the applicable rules and regulations governing the use of construction materials. The documentation submitted has been reviewed and accepted by Miami-Dade County RER-Product Control Section to be used in Miami Dade County and other areas where allowed by the Authority Having Jurisdiction (AHJ).

This NOA shall not be valid after the expiration date stated below. The Miami-Dade County Product Control Section (In Miami Dade County) and/or the AHJ (in areas other than Miami Dade County) reserve the right to have this product or material tested for quality assurance purposes. If this product or material fails to perform in the accepted manner, the manufacturer will incur the expense of such testing and the AHJ may immediately revoke, modify, or suspend the use of such product or material within their jurisdiction. RER reserves the right to revoke this acceptance if it is determined by Miami-Dade County Product Control Section that this product or material fails to meet the requirements of the applicable building code.

This product is approved as described herein and has been designed to comply with the Florida Building Code, including the High Velocity Hurricane Zone.

DESCRIPTION: USG Celebration Torsion Spring Aluminum Exterior Ceiling System

APPROVAL DOCUMENT: Drawing No. CTS-01 to CTS-06, titled "Celebration Torsion Spring Exterior Ceiling System", sheets 1 through 6 of 6, dated 08/16/17, prepared by manufacturer, signed and sealed by Carl D. Fussner, P.E., bearing the Miami-Dade County Product Control Revision stamp with the Notice of Acceptance number and expiration date by the Miami-Dade County Product Control Section.

MISSILE IMPACT RATING: None

LABELING: Each piece shall be permanently marked at not more than 4' o.c. with a number or marking and the packaging shall include the manufacturer's name or logo, city, state, model number or name, Miami-Dade County NOA number, test standards and net free area per FBC 1709.10.2 and 1709.10.3.

RENEWAL of this NOA shall be considered after a renewal application has been filed and there has been no change in the applicable building code negatively affecting the performance of this product.

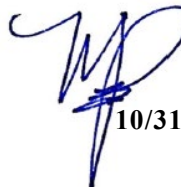
TERMINATION of this NOA will occur after the expiration date or if there has been a revision or change in the materials, use, and/or manufacture of the product or process. Misuse of this NOA as an endorsement of any product, for sales, advertising or any other purposes shall automatically terminate this NOA. Failure to comply with any section of this NOA shall be cause for termination and removal of NOA.

ADVERTISEMENT: The NOA number preceded by the words Miami-Dade County, Florida, and followed by the expiration date may be displayed in advertising literature. If any portion of the NOA is displayed, then it shall be done in its entirety.

INSPECTION: A copy of this entire NOA shall be provided to the user by the manufacturer or its distributors and shall be available for inspection at the job site at the request of the Building Official. This NOA revises NOA No. 21-0923.04 and consists of this page 1 and evidence pages E-1 and E-2, as well as approval document mentioned above.

The submitted documentation was reviewed by **Manuel Perez, P.E.**




10/31/24

NOA No. 24-1011.10
Expiration Date: September 15, 2026
Approval Date: November 07, 2024
Page 1

USG Corporation

NOTICE OF ACCEPTANCE: EVIDENCE SUBMITTED

1. EVIDENCE SUBMITTED UNDER PREVIOUS NOA's

A. DRAWINGS

1. Manufacturer's die drawings and sections.
(Submitted under NOA No. 17-0925.01)
2. Drawing No. CTS-01 to CTS-06, titled "Celebration Torsion Spring Exterior Ceiling System", sheets 1 through 6 of 6, dated 08/16/17, prepared by manufacturer, signed and sealed by Carl D. Fussner, P.E.
(Submitted under NOA No. 17-0925.01)

B. TESTS

1. Test reports on: 1) Uniform Static Air Pressure Test, Loading per FBC TAS 202-94
2) Cyclic Wind Pressure Loading per FBC, TAS 203-94
3) Tensile Test per ASTM E8-08
along with marked-up drawings of a Celebration Torsion Spring Suspended Ceiling, prepared by Intertek-Architectural Testing, Inc., Test Report No. **E6376.01-450-18**, dated 11/23/15, signed and sealed by Joseph A. Reed, P.E.
(Submitted under NOA No. 17-0925.01)

C. CALCULATIONS

1. Anchorage calculations prepared by PEI Engineering Services, Inc., dated 07/20/16, signed and sealed by Carl D. Fussner, P.E.
(Submitted under NOA No. 17-0925.01)

D. QUALITY ASSURANCE


1. Miami-Dade Department of Regulatory and Economic Resources (RER)

E. MATERIAL CERTIFICATIONS

1. None.

F. STATEMENTS

1. Statement letter of conformance, complying with **FBC 7th Edition (2020)**, dated 10/06/21, issued by PEI Engineering Services, Inc., signed and sealed by Carl D. Fussner, P.E.
(Submitted under NOA No. 21-0923.04)
2. Statement letter of no financial interest, dated 05/27/16, issued by PEI Engineering Services, Inc., signed and sealed by Carl D. Fussner, P.E.
(Submitted under NOA No. 17-0925.01)



Manuel Pérez, P.E.
Product Control Examiner
NOA No. 24-1011.10
Expiration Date: September 15, 2026
Approval Date: November 07, 2024

USG Corporation

NOTICE OF ACCEPTANCE: EVIDENCE SUBMITTED

1. EVIDENCE SUBMITTED UNDER PREVIOUS NOA's (CONTINUED)

G. OTHERS

1. Notice of Acceptance No. **17-0925.01**, issued to USG Corporation for USG Celebration Torsion Spring Aluminum Exterior Ceiling System, approved on 12/21/17 and expiring on 09/15/21.

2. NEW EVIDENCE SUBMITTED

A. DRAWINGS

1. None.

B. TESTS

1. None.

C. CALCULATIONS

1. None.

D. QUALITY ASSURANCE

1. Miami-Dade Department of Regulatory and Economic Resources (RER)

E. MATERIAL CERTIFICATIONS


1. None.

F. STATEMENTS

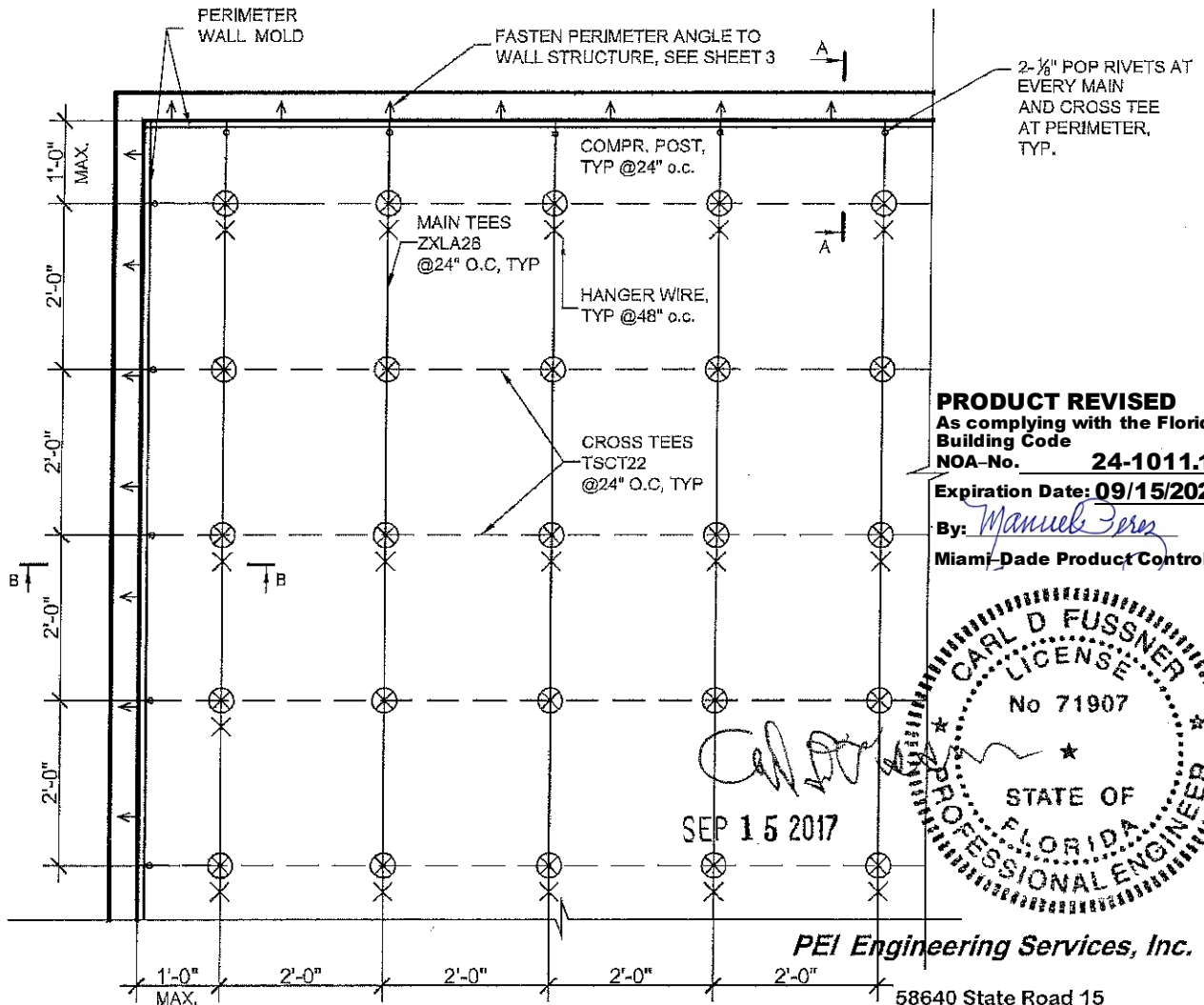
1. Statement letter of conformance, complying with **FBC 8th Edition (2023)**, dated 09/16/24, issued by PEI Engineering Services, Inc., signed and sealed by Carl D. Fussner, P.E.

G. OTHERS

1. Notice of Acceptance No. **21-0923.04**, issued to USG Corporation for USG Celebration Torsion Spring Aluminum Exterior Ceiling System, approved on 12/23/21 and expiring on 09/15/26.

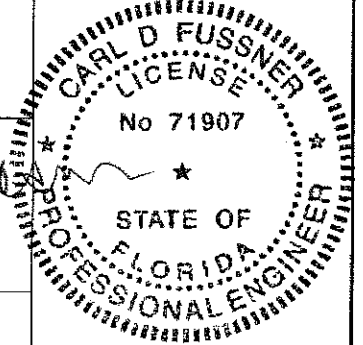


Manuel Pérez, P.E.
Product Control Examiner
NOA No. 24-1011.10
Expiration Date: September 15, 2026
Approval Date: November 07, 2024



PRODUCT REVISED
 As complying with the Florida Building Code
 NOA-No. **24-1011.10**
 Expiration Date: **09/15/2026**

By: *Manuel Torres*
 Miami-Dade Product Control



PEI Engineering Services, Inc.

58640 State Road 15
 Goshen, IN 46528
 Phone: (574) 533-0337 - Fax: (574) 533-9736
 FL C.O.A. Number 27447

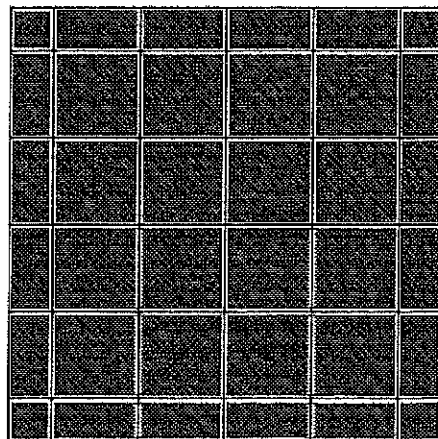
PRODUCT REVISED
 as complying with the Florida Building Code
 NOA-No. **21-0923.04**
 Expiration Date: **09/15/2026**
 By: *Manuel Torres*
 Miami-Dade Product Control

1 PLAN
 Scale: 1/2" = 1'-0"

PRODUCT REVISED
 as complying with the Florida Building Code
 NOA-No. **17-0925.01**
 Expiration Date **09/15/2021**
 By: *[Signature]*
 Miami-Dade Product Control

CELEBRATION TORSION SPRING
 ZXLA26 MAIN TEES AT 24" O.C.
 TSTC CROSS TEES AT 24" O.C.
 COMPRESSION POSTS AT 24" O.C.
 HANGER WIRE AT 48" O.C.
 ALUMINUM PANELS 2' x 2'

PRESSURE:
 +73.3 PSF UPWARD
 -13.3 PSF DOWNWARD

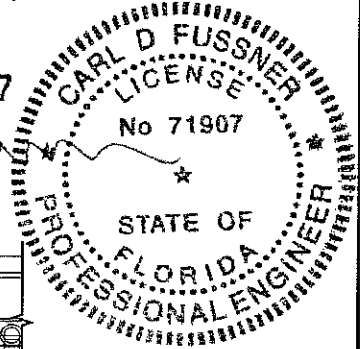
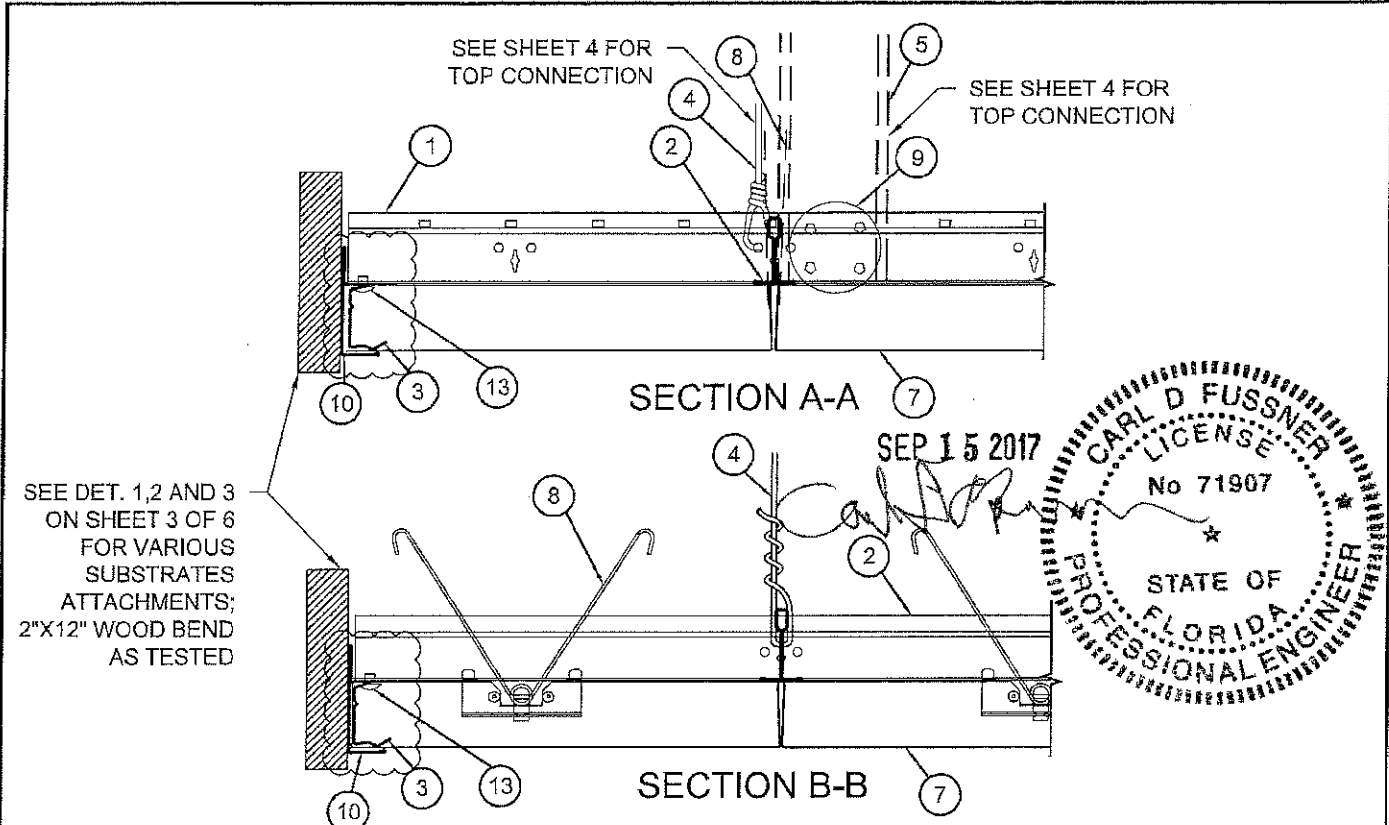


USG UNITED STATES GYPSUM CO.
 550 West Adams Street
 Chicago, Illinois 60661

DWG.# CTS-01 - R1
 DATE: 8/16/2016

PLAN
 CELEBRATION TORSION SPRING
 EXTERIOR CEILING SYSTEM
 MIAMI DADE CO NOA

SHEET
 1 OF 6



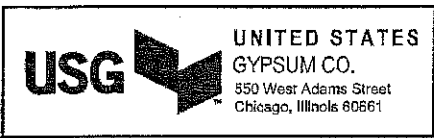
SEE DET. 1, 2 AND 3 ON SHEET 3 OF 6 FOR VARIOUS SUBSTRATES ATTACHMENTS; 2"X12" WOOD BEND AS TESTED

1	ZXLA26 MAIN TEE, 30 KSI	PEI Engineering Services, Inc. 58640 State Road 15 Goshen, IN 46528 Phone: (574) 533-0337 - Fax: (574) 533-9736 FL C.O.A. Number 27447
2	TSCT44 OR TSCT22 CROSS TEE, 30 KSI	
3	T15 HOLD-DOWN CLIP 10-1/2" LONG @ 12" O.C.	
4	12 GA HANGER WIRE	
5	2-1/2" - 22 GA. STUD COMPRESSION POST; Fy = 33 KSI (MIN)	
6	1/4" LAG SCREW W/1-1/4" EMBEDMENT	
7	ALUMINUM PANEL, RE. SHEET 6 FOR SIZE	
8	METAL SPRING ASSEMBLY	
9	#8 x 7/16" PAN HEAD SCREW	
10	1 1/2" F WALL MOLD	
11	HILTI 3/8" KWIK BOLT TZ-CS EXPANSION ANCHOR (OR EQUIVALENT)	
12	L 1-1/2 x 1-1/2 x 12GA. x 6" CLIP; Fy = 38 KSI (MIN)	
13	1/8" POP RIVET	
14	1/4" HILTI HHDCA CEILING HANGER WITH 1-1/4" EMBEDMENT.	
15	0.145" DIA. HILTI X-U 15 (OR EQUIVALENT)	
16	HILTI X-CW X-U-27 FASTENER, 1-1/4" EMBEDMENT	
17	3/16" CARBON OR STAINLESS STEEL TAPCON ANCHOR	
18	#8 1-1/4" SCREW SHARP POINT	
19	#8 - 1 1/8" DRILL POINT SCREW	

PRODUCT REVISED
 As complying with the Florida Building Code
 NOA-No. **24-1011.10**
 Expiration Date: **09/15/2026**
 By: *Manuel Perez*
 Miami-Dade Product Control

PRODUCT REVISED
 as complying with the Florida Building Code
 NOA-No. **21-0923.04**
 Expiration Date: **09/15/2026**
 By: *Manuel Perez*
 Miami-Dade Product Control

PRODUCT REVISED
 as complying with the Florida Building Code
 NOA-No. **17-0925.01**
 Expiration Date **09/15/2021**
 By: *[Signature]*
 Miami-Dade Product Control



DWG.# CTS-02- R1
 DATE: 08/16/2017

SECTIONS
 CELEBRATION TORSION SPRING
 EXTERIOR CEILING
 MIAMI DADE CO NOA

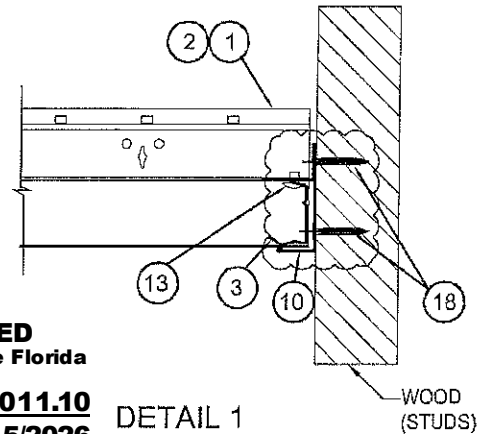
SHEET
 2 OF 6

ANCHORING NOTES:
 WALL MOLDING TO STRUCTURE
 USE DETAILS 1 THROUGH 3 FOR
 ATTACHMENT.

WOOD SUBSTRATE DETAIL 1
 1 1/2" F MOLD: USE 2- #8 SCREW WITH 2"
 MINIMUM EMBEDMENT AT 16" O.C.

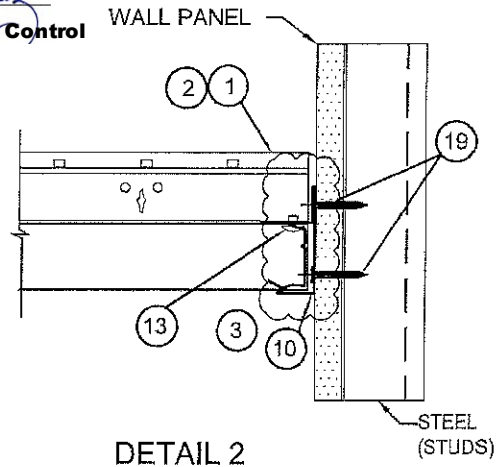
PRODUCT REVISED
 as complying with the Florida
 Building Code
 NOA-No. 21-0923.04
 Expiration Date: 09/15/2026
 By: *Manuel Perez*
 Miami-Dade Product Control

PRODUCT REVISED
 As complying with the Florida
 Building Code
 NOA-No. 24-1011.10
 Expiration Date: 09/15/2026
 By: *Manuel Perez*
 Miami-Dade Product Control

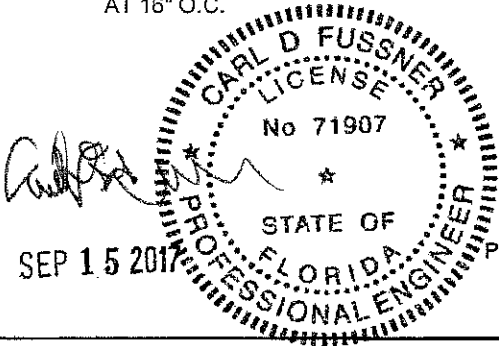
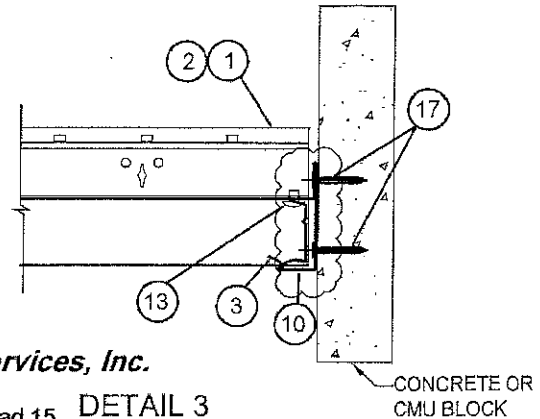


STEEL SUBSTRATE, DETAIL 2
 1 1/2" F MOLD: USE 2- #8 x 1-1/8" SCREW OR
 EQUIVALENT AT 16" O.C.

PRODUCT REVISED
 as complying with the Florida
 Building Code
 NOA-No. 17-0925.01
 Expiration Date 09/15/2021
 By: *[Signature]*
 Miami-Dade Product Control



CONCRETE SUBSTRATE, DETAIL 3
 1 1/2" F MOLD: USE 2 - 3/16" DIA. TAPCON ANCHOR OR
 EQUIVALENT AT 16" O.C. WITH 1" MINIMUM
 EMBEDMENT AND 2" MIN. EDGE DISTANCE IN 3000
 PSI CONCRETE OR MEDIUM-WEIGHT CMU BLOCKS
 AT 16" O.C.



PEI Engineering Services, Inc.

58640 State Road 15
 Goshen, IN 46528

Phone: (574) 533-0337 - Fax: (574) 533-9736
 FL C.O.A. Number 27447



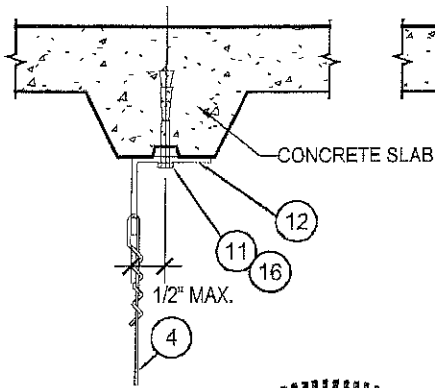
UNITED STATES
 GYPSUM CO.
 550 West Adams Street
 Chicago, Illinois 60661

DWG.# CTS-03 - R1

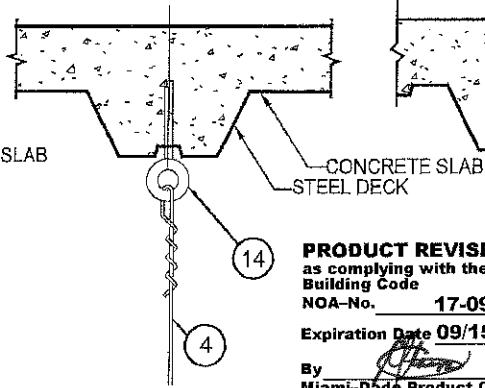
DATE: 08/16/2017

WALL DETAILS
 CELEBRATION TORSION SPRING
 EXTERIOR CEILING
 MIAMI DADE CO NOA

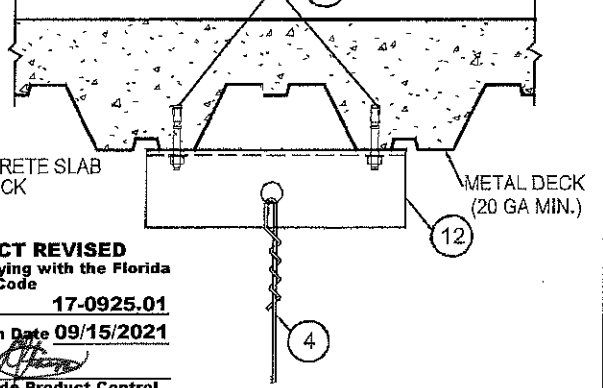
SHEET
 3 OF 6



DETAIL 1



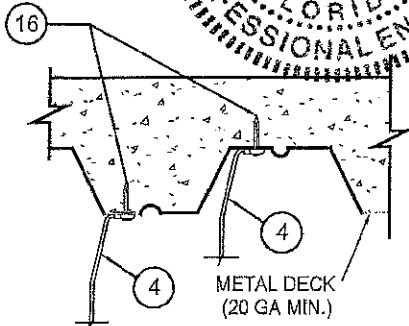
DETAIL 2



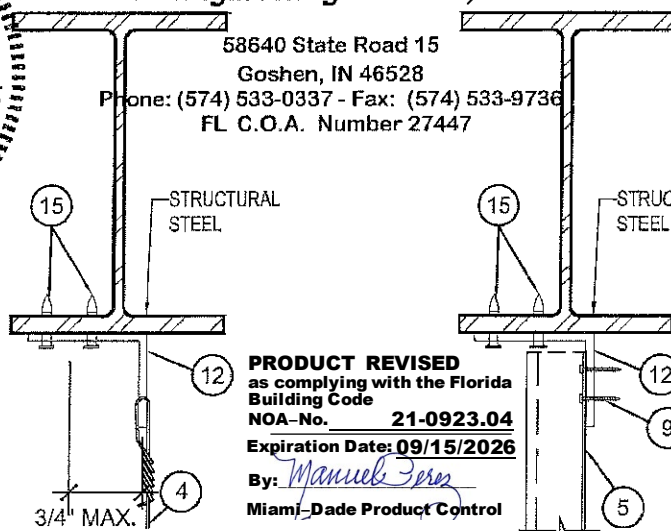
DETAIL 3

PRODUCT REVISED
 as complying with the Florida
 Building Code
 NOA-No. 17-0925.01
 Expiration Date 09/15/2021
 By: *[Signature]*
 Miami-Dade Product Control

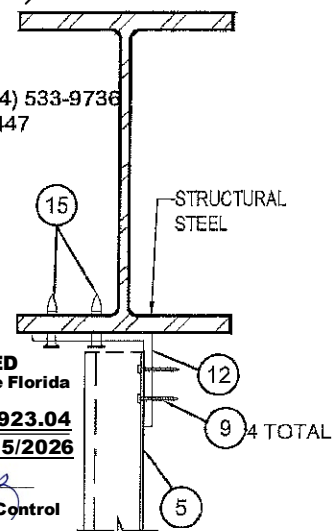
[Handwritten Signature]
 SEP 15 2017
 CARL D FUSSNER
 LICENSE
 No 71907
 STATE OF
 FLORIDA
 PROFESSIONAL ENGINEER



DETAIL 4

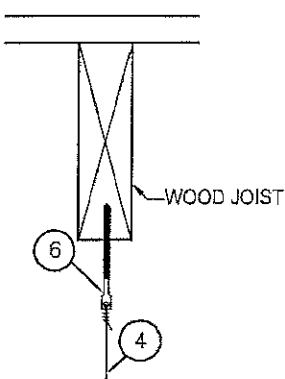


DETAIL 5

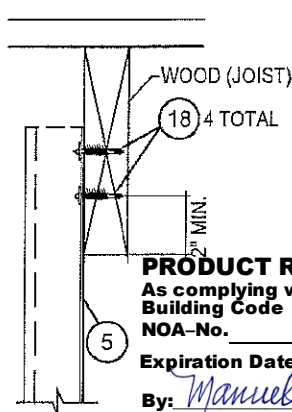


DETAIL 6

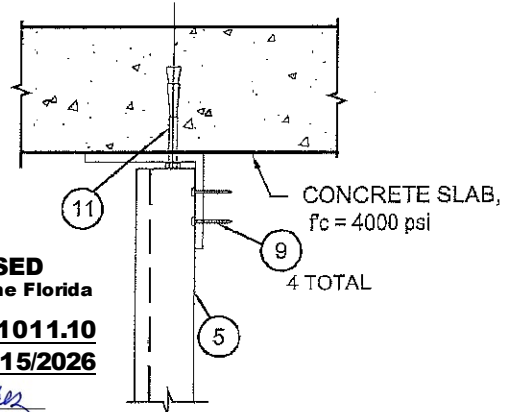
PRODUCT REVISED
 as complying with the Florida
 Building Code
 NOA-No. 21-0923.04
 Expiration Date: 09/15/2026
 By: *[Signature]*
 Miami-Dade Product Control



DETAIL 7



DETAIL 8



DETAIL 9

PRODUCT REVISED
 As complying with the Florida
 Building Code
 NOA-No. 24-1011.10
 Expiration Date: 09/15/2026
 By: *[Signature]*
 Miami-Dade Product Control

USG
 UNITED STATES
 GYPSUM CO.
 550 West Adams Street
 Chicago, Illinois 60661

DWG.# CTS-04-R1
 DATE: 08/16/2017

ANCHORAGE DETAILS
 CELEBRATION TORSION SPRING
 EXTERIOR CEILING
 MIAMI DADE CO NOA

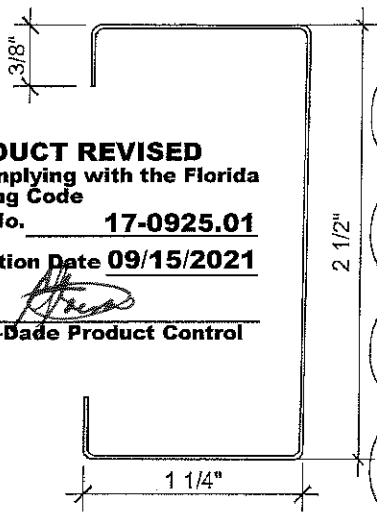
SHEET
 4 OF 6

PRODUCT REVISED
as complying with the Florida
Building Code

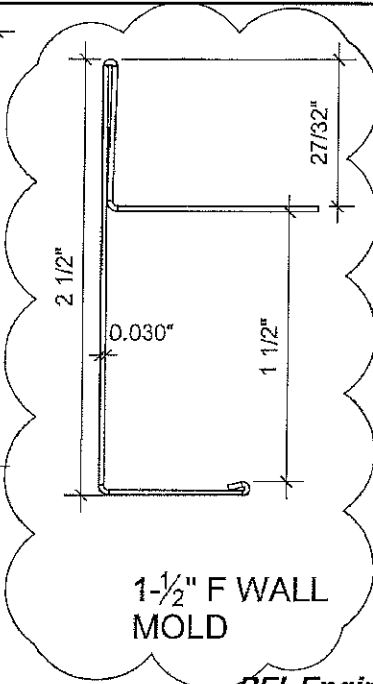
NOA-No. **17-0925.01**

Expiration Date **09/15/2021**

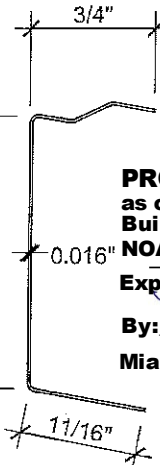
By: *[Signature]*
Miami-Dade Product Control



250S125 - 22 GA
METAL STUD



1-1/2" F WALL
MOLD



T15 HOLD-
DOWN CLIP

PRODUCT REVISED
as complying with the Florida
Building Code

NOA-No. **21-0923.04**

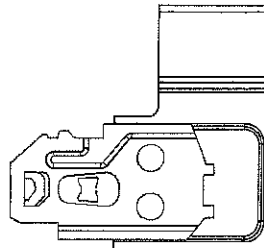
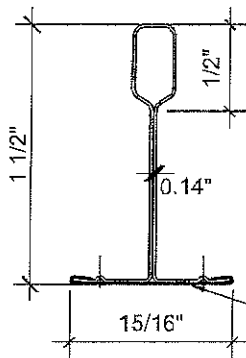
Expiration Date: **09/15/2026**

By: *Manuel Ferrer*
Miami-Dade Product Control

PEI Engineering Services, Inc.

58640 State Road 15
Goshen, IN 46528

Phone: (574) 533-0337 - Fax: (574) 533-9736
FL C.O.A. Number 27447

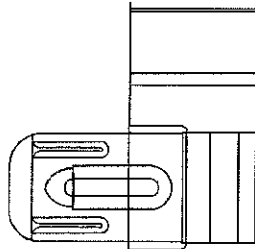
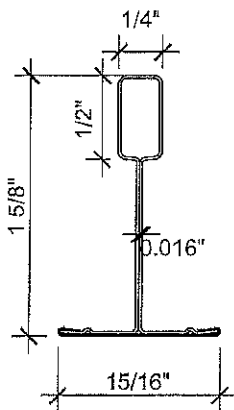
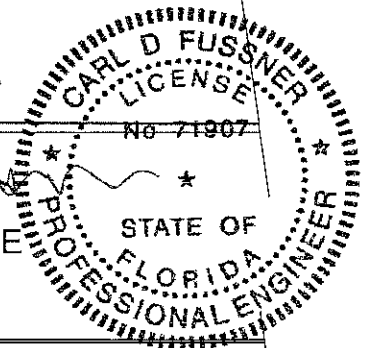


SLOTS FOR SPRINGS

TSCT 66 OR TSCT44 OR TSCT22 CROSS TEE

SEP 15 2017

Carl D. Fussner



ZXLA26 MAIN TEE

PRODUCT REVISED
As complying with the Florida
Building Code

NOA-No. **24-1011.10**

Expiration Date: **09/15/2026**

By: *Manuel Ferrer*
Miami-Dade Product Control

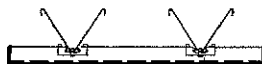
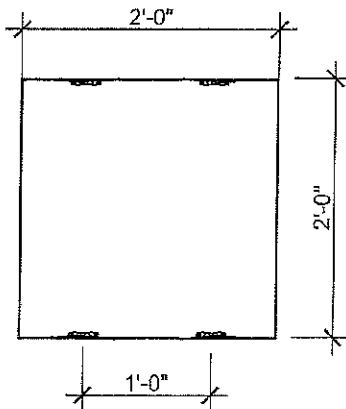
USG UNITED STATES
GYPSUM CO.
550 West Adams Street
Chicago, Illinois 60661

DWG.# CTS-05 - R1

DATE: 08/16/2017

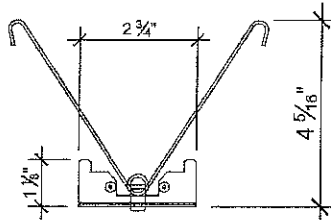
COMPONENTS
CELEBRATION TORSION SPRING
MIAMI DADE CO NOA

SHEET
5 OF 6



TORSION SPRING

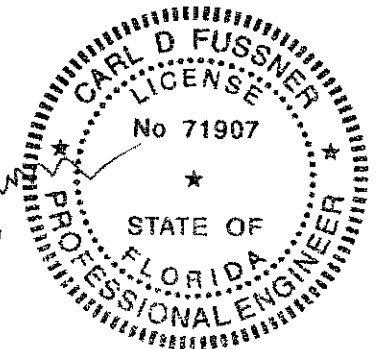
- 1 2 FT x 2 FT PANEL
ALUMINUM TYPE 3105 H14



- 2 SPRING ASSEMBLY

STAINLESS STEEL TYPE 302 SS
0.080 DIA. WIRE; CLIP HDG
STEEL POWDER COATED;
ATTACHED TO PANEL W/ 1/8"
ALUMINUM POP RIVETS

Carl D. Fussner
SEP 15 2017



PRODUCT REVISED

As complying with the Florida Building Code

NOA-No. 24-1011.10

Expiration Date: 09/15/2026

By: *Manuel Perez*

Miami-Dade Product Control

PRODUCT REVISED

as complying with the Florida Building Code

NOA-No. 21-0923.04

Expiration Date: 09/15/2026

By: *Manuel Perez*

Miami-Dade Product Control

PRODUCT REVISED

as complying with the Florida Building Code

NOA-No. 17-0925.01

Expiration Date 09/15/2021

By: *Manuel Perez*

Miami-Dade Product Control

PEI Engineering Services, Inc.

58640 State Road 15

Goshen, IN 46528

Phone: (574) 533-0337 - Fax: (574) 533-9736

FL C.O.A. Number 27447

USG
UNITED STATES GYPSUM CO.
550 West Adams Street
Chicago, Illinois 60661

DWG.# CTS-06-R1

DATE: 08/16/2017

PANELS
CELEBRATION TORSION SPRING
MIAMI DADE CO NOA

SHEET
6 OF 6